

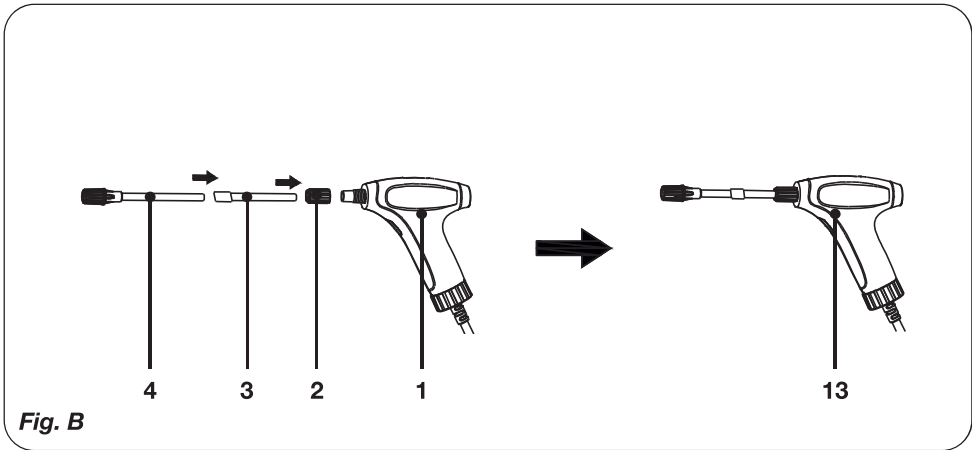
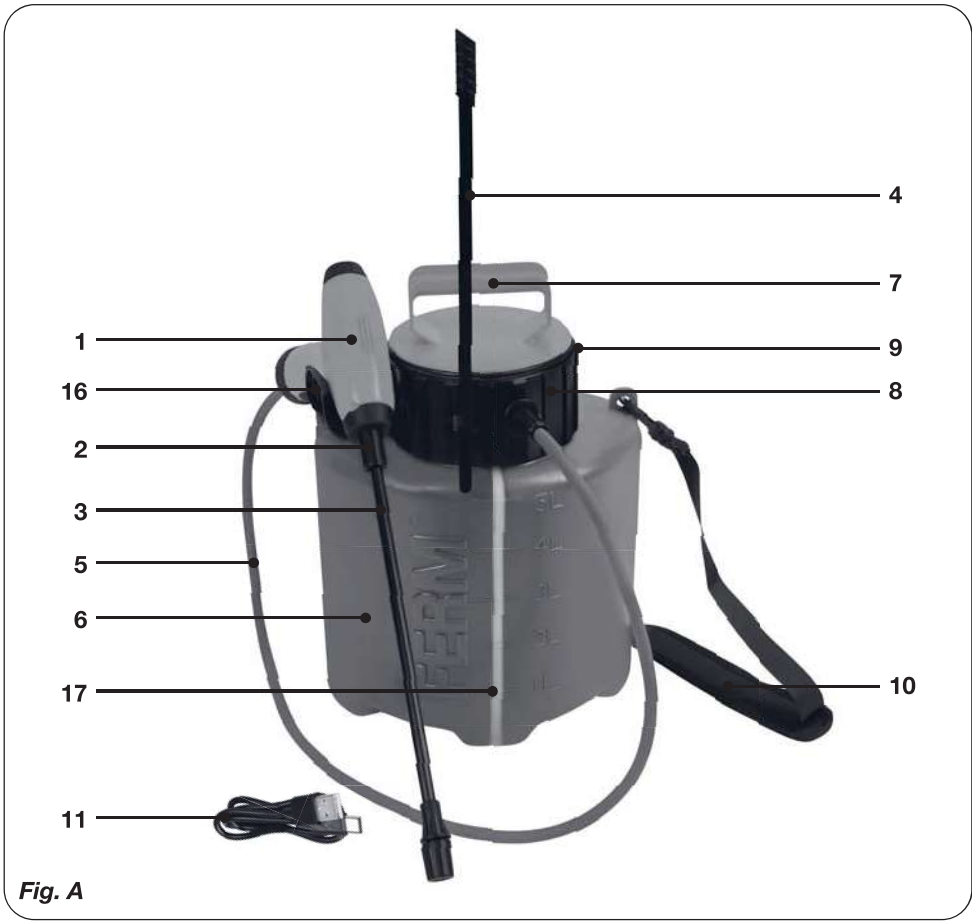


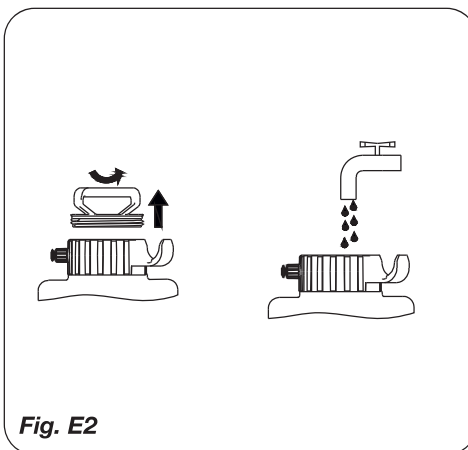
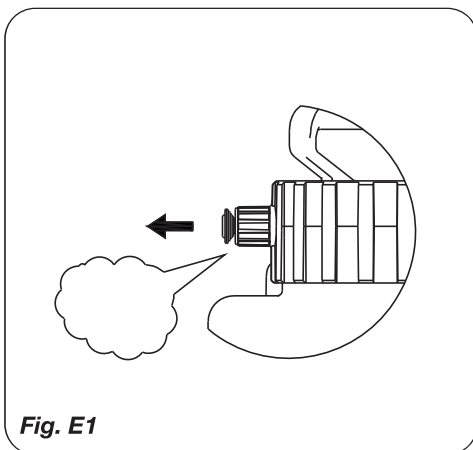
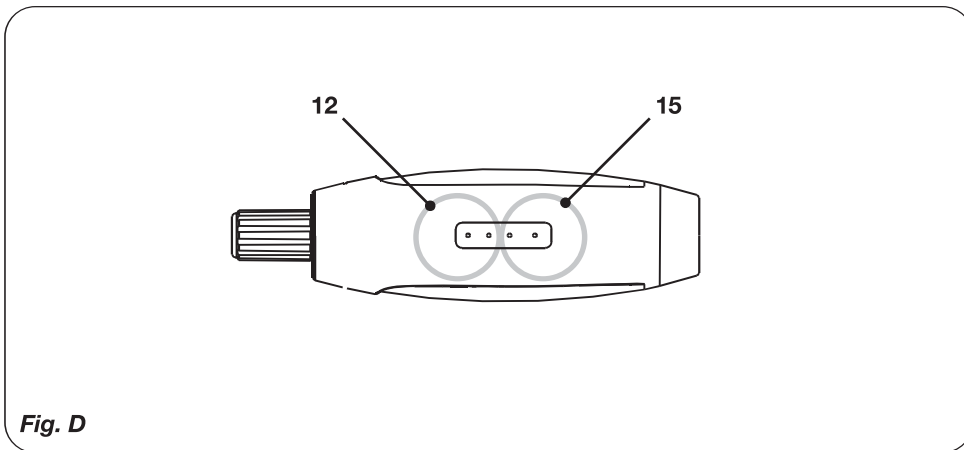
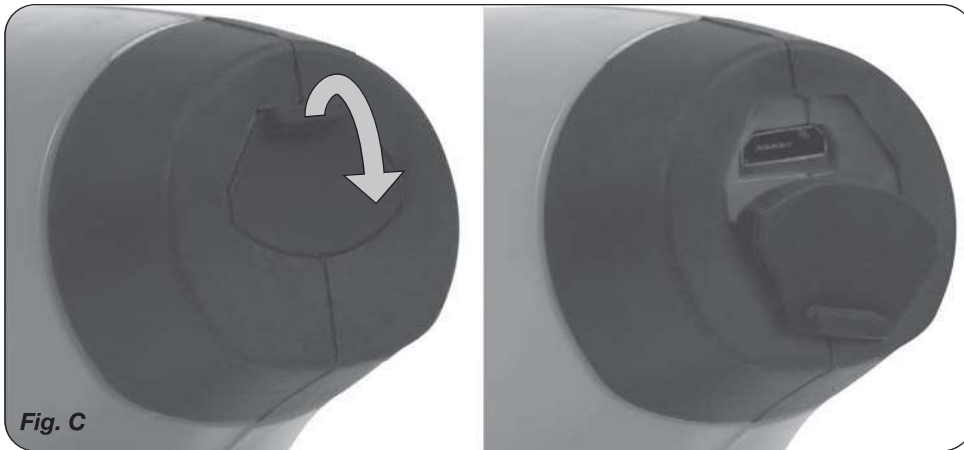
**PSM1044**

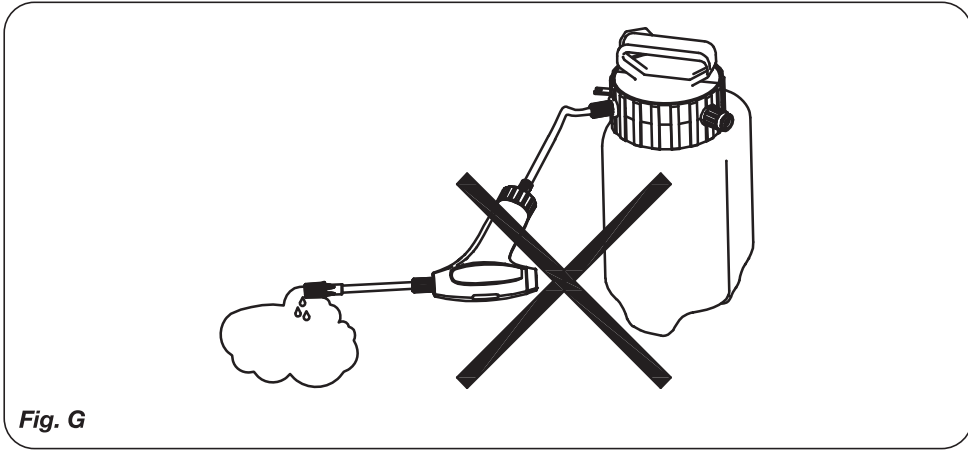
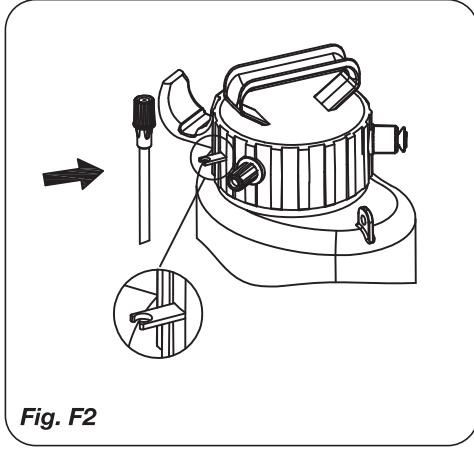
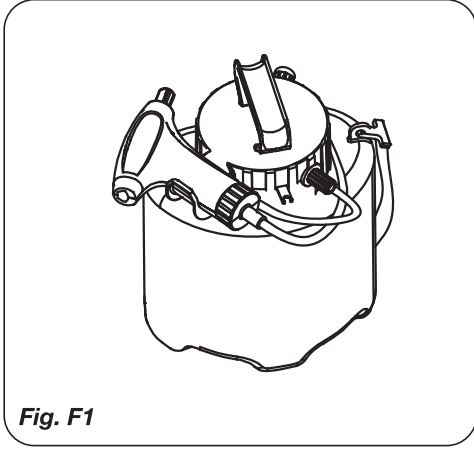
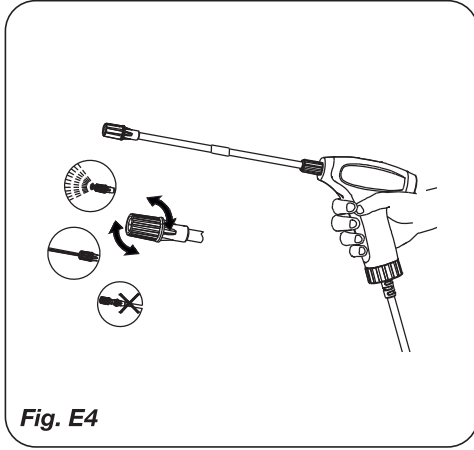
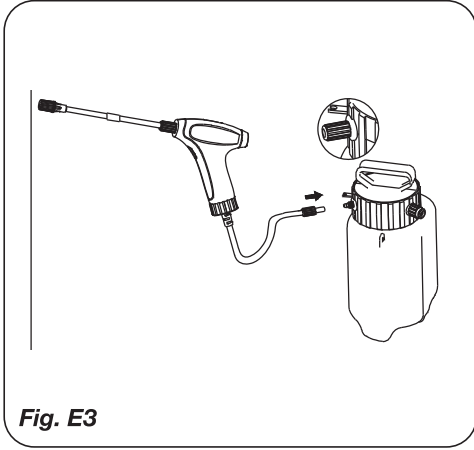
<b>EN</b>	Original instructions	05
<b>NL</b>	Vertaling van de oorspronkelijke gebruiksaanwijzing	11
<b>FR</b>	Traduction de la notice originale	18
<b>DE</b>	Übersetzung der Originalbetriebsanleitung	25
<b>PL</b>	Tłumaczenie instrukcji oryginalnej	32
<b>CS</b>	Překlad původního návodu k používání	39
<b>IT</b>	Traduzione delle istruzioni originali	45
<b>SK</b>	Prevod izvirnih navodil	52
<b>ES</b>	Traducción del manual original	59
<b>PT</b>	Instruções originais	66
<b>RO</b>	Traducere a instrucțiunilor originale	73

[WWW.FERM.COM](http://WWW.FERM.COM)









**PRESSURE SPRAYER 5L - 4V  
PSM1044**

**Thank you for buying this FERM product.** By doing so you now have an excellent product, delivered by one of Europe's leading suppliers. All products delivered to you by Ferm are manufactured according to the highest standards of performance and safety. As part of our philosophy we also provide an excellent customer service, backed by our comprehensive warranty. We hope you will enjoy using this product for many years to come.



Do not dispose of the product in unsuitable containers.



Separate collection for Li-ion battery.



The product is in accordance with the applicable safety standards in the European directives.

**1. SAFETY INSTRUCTIONS**



**Read the enclosed safety warnings, the additional safety warnings and the instructions.** Failure to follow the safety warnings and the instructions may result in electric shock, fire and/or serious injury. **Save the safety warnings and the instructions for future reference.**

The following symbols are used in the user manual or on the product:



Denotes risk of personal injury, loss of life or damage to the tool in case of non-observance of the instructions in this manual.



Indicates electrical shock hazard.



Wear a dust mask.



Wear safety goggles.



Protect the appliance against frost.



Do not throw the battery into fire



Do not throw the battery into water

**GENERAL POWER TOOL SAFETY WARNINGS**



**WARNING!** Read all safety warnings, instructions, illustrations and specifications provided with this power tool. Failure to follow all instructions listed below may result in electric shock, fire and/or serious injury.

**Save all warnings and instructions for future reference.**

The term "power tool" in the warnings refers to your mains-operated (corded) power tool or battery-operated (cordless) power tool.

**1) Work area safety**

- a) **Keep work area clean and well lit.** Cluttered or dark areas invite accidents.
- b) **Do not operate power tools in explosive atmospheres, such as in the presence of flammable liquids, gases or dust.** Power tools create sparks which may ignite the dust or fumes.
- c) **Keep children and bystanders away while operating a power tool.** Distractions can cause you to lose control.

**2) Electrical safety**

- a) **Power tool plugs must match the outlet. Never modify the plug in any way. Do not use any adapter plugs with earthed (grounded) power tools.** Unmodified plugs and matching outlets will reduce risk of electric shock.
- b) **Avoid body contact with earthed or grounded surfaces, such as pipes, radiators, ranges and refrigerators.** There is an increased risk of electric shock if your body is earthed or grounded.
- c) **Do not expose power tools to rain or wet conditions.** Water entering a power tool will increase the risk of electric shock.

- d) **Do not abuse the cord. Never use the cord for carrying, pulling or unplugging the power tool. Keep cord away from heat, oil, sharp edges or moving parts.** *Damaged or entangled cords increase the risk of electric shock.*
- e) **When operating a power tool outdoors, use an extension cord suitable for outdoor use.** *Use of a cord suitable for outdoor use reduces the risk of electric shock.*
- f) **If operating a power tool in a damp location is unavoidable, use a residual current device (RCD) protected supply.** *Use of an RCD reduces the risk of electric shock.*  
NOTE: The term “residual current device (RCD)” may be replaced by the term “ground fault circuit interrupter (GFCI)” or “earth leakage circuit breaker (ELCB)”.
- 3) Personal safety**
- a) **Stay alert, watch what you are doing and use common sense when operating a power tool. Do not use a power tool while you are tired or under the influence of drugs, alcohol or medication.** *A moment of inattention while operating power tools may result in serious personal injury.*
- b) **Use personal protective equipment. Always wear eye protection.** *Protective equipment such as dust mask, non-skid safety shoes, hard hat, or hearing protection used for appropriate conditions will reduce personal injuries.*
- c) **Prevent unintentional starting. Ensure the switch is in the off-position before connecting to power source and/or battery pack, picking up or carrying the tool.** *Carrying power tools with your finger on the switch or energising power tools that have the switch on invites accidents.*
- d) **Remove any adjusting key or wrench before turning the power tool on.** *A wrench or a key left attached to a rotating part of the power tool may result in personal injury.*
- e) **Do not overreach. Keep proper footing and balance at all times.** *This enables better control of the power tool in unexpected situations.*
- f) **Dress properly. Do not wear loose clothing or jewellery. Keep your hair, clothing and gloves away from moving parts.** *Loose clothes, jewellery or long hair can be caught in moving parts.*
- g) **If devices are provided for the connection of dust extraction and collection facilities, ensure these are connected and properly used.** *Use of dust collection can reduce dust related hazards.*
- 4) Power tool use and care**
- a) **Do not force the power tool. Use the correct power tool for your application.** *The correct power tool will do the job better and safer at the rate for which it was designed.*
- b) **Do not use the power tool if the switch does not turn it on and off.** *Any power tool that cannot be controlled with the switch is dangerous and must be repaired.*
- c) **Disconnect the plug from the power source and/or the battery pack from the power tool before making any adjustments, changing accessories, or storing power tools.** *Such preventive safety measures reduce the risk of starting the power tool accidentally.*
- d) **Store idle power tools out of the reach of children and do not allow persons unfamiliar with the power tool or these instructions to operate the power tool.** *Power tools are dangerous in the hands of untrained users.*
- e) **Maintain power tools. Check for misalignment or binding of moving parts, breakage of parts and any other condition that may affect the power tool's operation. If damaged, have the power tool repaired before use.** *Many accidents are caused by poorly maintained power tools.*
- f) **Keep cutting tools sharp and clean.** *Properly maintained cutting tools with sharp cutting edges are less likely to bind and are easier to control.*
- g) **Use the power tool, accessories and tool bits etc. in accordance with these instructions, taking into account the working conditions and the work to be performed.** *Use of the power tool for operations different from those intended could result in a hazardous situation.*
- 5) Battery tool use and care**
- a) **Recharge only with the charger specified by the manufacturer.** *A charger that is suitable for one type of battery pack may create a risk of fire when used with another battery pack.*
- b) **Use power tools only with specifically designated battery packs.** *Use of any other battery packs may create a risk of injury and fire.*

- c) **When battery pack is not in use, keep it away from other metal objects, like paper clips, coins, keys, nails, screws or other small metal objects that can make a connection from one terminal to another.** *Shorting the battery terminals together may cause burns or a fire.*
- d) **Under abusive conditions, liquid may be ejected from the battery; avoid contact. If contact accidentally occurs, flush with water. If liquid contacts eyes, additionally seek medical help.** *Liquid ejected from the battery may cause irritation or burns.*

#### 6) Service

- a) **Have your power tool serviced by a qualified repair person using only identical replacement parts.** *This will ensure that the safety of the power tool is maintained.*

#### Electrical safety:

It must be observed that no liquid may be directed directly at electrical devices and equipment containing electrical components. If used incorrectly or if the batteries are damaged, flammable liquid may be ejected from the batteries. Contact with this liquid should be avoided. If contact accidentally occurs, rinse off with water. If the liquid comes into contact with your eyes, seek additional medical attention.

- Never open the Pressure Sprayer or unscrew the nozzle when the Pressure Sprayer is still pressurised. To prevent injury, never connect the Pressure Sprayer to an air-compressor.
- Always hold the Pressure Sprayer upright before the safety relief valve is pulled. When spraying insecticides, herbicides and fungicides or other liquid plant protection products, you must comply with all special precautionary measures specified by the manufacturer of the product you are using.



*Before opening the tank of the Pressure Sprayer, thoroughly release pressure by pulling the safety relief valve.*

**DANGER! Small parts can be easily swallowed. There is also a risk that the polybag can suffocate toddlers. Keep toddlers away when you assemble the product.**

#### Operational safety:

**CAUTION:** The tank may only be filled with a maximum of 5 litres liquid.

- Inspect the Pressure Sprayer visually before each use.
- Never leave your Pressure Sprayer unattended and do not store for long periods when long periods when full and pressurised.
- Keep the unit out of the reach of children. You are responsible for the safety of others.
- Keep your Pressure Sprayer away from heat sources and hot environments.
- Screw on the pump handle tightly by hand (do not use tools) and ensure that the O-ring is positioned correctly.
- The On / Off switch may only be switched to "I" when the pump handle is screwed on the container.
- Only charge the battery at an ambient temperature which is between 0 °C and + 40 °C. If the temperature of the battery is outside the permissible charging temperature range, the battery cannot be charged. As soon as the permitted temperature range is reached, the battery is charged.

#### Cleaning Safety:

- Release the pressure after each use, empty the container, clean it carefully and rinse with clear water. Then leave the pressure sprayer open and allow it to dry.
- Do not dispose of residual fluids in the sewerage system (local disposal systems).
- Always clean the Pressure Sprayer before using a different product to avoid chemical reactions.
- When using several Pressure Sprayers, the tanks and spray nozzle may not be exchanged between them.

#### Storage safety:

- Before storing, loosen the tank cap and always empty your Pressure Sprayer completely (also after cleaning with water).
- Store away from frost.
- Carry the pressure sprayer by the carrying strap or the handle.
- Make sure that the product is protected from direct sunlight. The product may heat up.

## 2. MACHINE INFORMATION

### Intended use

The pressure sprayer is intended for distributing solvent-free liquid, for example: pesticides<sup>1</sup>, herbicides<sup>1</sup>, fertilisers<sup>1</sup> and window cleaners<sup>1</sup> in domestic gardens and allotments.

It must not be used in public places, parks, sport arenas, or in agriculture or forestry. Compliance with the specifications in this operating manual is a requirement for the proper use of the Pressure Sprayer.



### Warning

1. Do not use guns for spraying flammable materials.
2. Be aware of any hazards presented by the material being sprayed and instruction to consult the markings on the container or the information supplied by the manufacturer of the material to be sprayed.
3. Do not spray any material where the hazard is not known.
4. Do not clean guns with flammable solvents.

<sup>1</sup> According to the Plant Protection Law as well as the Detergents and Cleaning Agents Law, only approved agents may be used (authorised specialist dealers).

### TECHNICAL SPECIFICATIONS

<b>Model No.</b>	<b>PSM1044</b>
Max Capacity	5L
Voltage	4V
USB connection	Type C
Spray tube length (including sprayhandle)	15-50CM
Working time	2 hours
Charging time	2 hours
Pressure output	0.3L/Min
Max water operating temperture	60 °C
Sound pressure (Lpa)	52,8 + 3 dB(A)
Acoustic power (Lwa)	63,8 + 3 dB(A)
Vibration	0.205 + 1.5 m/s <sup>2</sup>

### Vibration level

The declared vibration total value has been measured in accordance with a standard test method EN 60745-1 & EN50580 and may be used for comparing one tool with another;

The declared vibration total value may also be used in a preliminary assessment of exposure.

- The vibration emission during actual use of the power tool can differ from the declared total value depending on the ways in which the tool is used.
- Need to identify safety measures to protect the operator that are based on an estimation of exposure in the actual conditions of use (taking account of all parts of the operating cycle such as the times when the tool is switched off and when it is running idle in addition to the trigger time).

### DESCRIPTION

The numbers in the text refer to the diagrams on page 2-4.

1. Sprayer
2. Nozzle closing nut
3. Short nozzle
4. Extension to long nozzle
5. Hose
6. Tank
7. Tank handle
8. Tank ring
9. Relief valve
10. Carrying strap
11. Charging cable (included)
12. Charging indication light
13. On/off switch
14. Hose filter
15. Battery indication light
16. Nozzle storage
17. Liquid level indicator

## 3. ASSEMBLY

### Nozzles

#### Fig. B

With first use the short nozzle (3) is assembled on the sprayer(1)

- Remove the nozzle closing nut (2).
- Remove and replace the short nozzle (3) or extension to long nozzle(4).
- Place the nozzle closing nut (2) and tighten by hand.





Check if the hose (5) is still well connected to the sprayer (1) and to the tank ring (8), if necessary tighten the nuts by hand.

**Carrying strap**

- Attach the carrying strap to the tank.

**4. OPERATION**

**Charging the sprayer**

**Fig. C**

Plug the charger cable (included) into an adapter (not included).

- Plug the charger cable (11) into the sprayer
- Plug the charger plug into an electrical outlet after a few seconds the charger indication light (12) will lighten up and show the charging status.

Fully charging the battery may take up to 2 hours.

**Checking the battery status**

**Fig. D**

The battery indication light (15) shows the remaining battery level when the on/off switch (13) is pressed.

The battery indication light (15) has two lights indicating the remaining level. The more lights that burn, the more capacity the battery has left.

When the one light is burning, it means the battery is almost empty and should be charged.

**To spray the liquid**

**Fig. E**

**Note:** Please observe the safety and proportioning instructions provided by the manufacturer of the product you are going to spray.

1. Pull the safety relief valve (9). See Fig. E1
2. Unscrew the tank handle (7) and fill the tank (6). See Fig. E2.  
\* If necessary, add additive liquid
3. Screw the tank handle (7) back on the tank (6).



Check if the hose (5) is still well connected to the sprayer (1) and to the tank ring (8), if necessary tighten the nuts by hand.

4. Press and hold the on/off switch (13) on the sprayer in order to spray
5. When done spraying, release the button on the sprayer so it stops

**Adjust spray from nozzle tip**

**Fig. E4**

Water may be sprayed out of the nozzle tip (3+4) either linearly or in a fan shape. Turn on the sprayer first, and then adjust the nozzle tip by turning it clock and counter clockwise. As shown in Fig. E4.

**Liquid level indicator (17)**

The tank (6) has a transparent line that shows the liquid level in the tank.

This can also be used as an measuring cup, indicated per litre.

**5. MAINTENANCE**

**Cleaning**

Always clean your Pressure Sprayer after spraying. Use the Pressure Sprayer only with clear water (possibly with addition of dish detergent) and spray empty. The valves, the sprayer (1), the nozzles (3+4), hose (5) and hose filter (14) inside the tank are cleaned.

Pull the safety relief valve (9) to see if has any blockage for smooth running.

**Storage**

**Fig F1, F2**

- Place the sprayer onto the holder positioned on the tank ring. As shown in Fig. F1
- The nozzle not attached to the sprayer can be stored on to the nozzles storage (16) as shown in Fig. F2.



Store the pressure sprayer in a frost-free place.

## 6. TROUBLESHOOTING

### To clean the hose filter:

Unscrew the tank handle and remove the hose inside the tank. Clean the filter. After cleaning place attached filter back on to the tank hose and the hose inside the tank.

### There is liquid in the tank but sprayer will not spray.

- Check if the sprayer is fully charged
- Check if all hoses (inside the tank as well) are properly connected, if necessary reconnect and tighten necessary nuts.
- Relief the pressure by pulling the relief valve.

## ENVIRONMENT

To prevent damage during transport, the appliance is delivered in a solid packaging which consists largely of reusable material. Therefore please make use of options for recycling the packaging.



*The crossed out wheellie bin symbol means that this product shall not be disposed of with normal household waste. Electronic and Electrical Equipment not included in the selective sorting process are potentially dangerous for the environment and human health due to the presence of hazardous substances. Please dispose of responsibly at an approved waste or recycling facility.*

### Only for EC countries

Do not dispose of power tools into domestic waste. According to the European Guideline 2012/19/EU for Waste Electrical and Electronic Equipment and its implementation into national right, power tools that are no longer usable must be collected separately and disposed of in an environmentally friendly way.

## WARRANTY

FERM products are developed to the highest quality standards and are guaranteed free of defects in both materials and workmanship for the period lawfully stipulated starting from the date

of original purchase. Should the product develop any failure during this period due to defective material and/or workmanship then contact your FERM dealer directly.

The following circumstances are excluded from this guarantee:

- Repairs and or alterations have been made or attempted to the machine by unauthorized service centers.
- Normal wear and tear.
- The tool has been abused, misused or improperly maintained.
- Non-original spare parts have been used

This constitutes the sole warranty made by company either expressed or implied. There are no other warranties expressed or implied which extend beyond the face hereof, herein, including the implied warranties of merchantability and fitness for a particular purpose. In no event shall FERM be liable for any incidental or consequential damages. The dealers remedies shall be limited to repair or replacement of nonconforming units or parts.

**The product and the user manual are subject to change. Specifications can be changed without further notice.**

**DRUKSPUITER 5 L- 4V  
PSM1044**

**Wij danken u voor uw aankoop van dit FERM-product.**

U heeft nu een uitstekend product, dat wordt geleverd door een van de grootste leveranciers van Europa. Alle producten die Ferm levert, zijn vervaardigd volgens de hoogste normen voor prestaties en veiligheid. Het is ook onze filosofie een uitstekende klantenservice te bieden, waar onze uitgebreide garantie achter staat. Wij hopen dat u dit product gedurende vele jaren met genoegen zult gebruiken.



Gooi de accu niet in het vuur



Gooi de accu niet in het water



Gooi het product niet weg in containers die daarvoor niet geschikt zijn.



Gescheiden inzameling voor Li-ion-accu.



Het product voldoet aan de geldende veiligheidsnormen in de Europese richtlijnen.

**1. VEILIGHEIDSINSTRUCTIES**



**Lees de bijgesloten veiligheidswaarschuwingen, de aanvullende veiligheidswaarschuwingen en de instructies.** Geeft u geen gevolg aan de veiligheidswaarschuwingen en de instructies dan kan dat een elektrische schok, brand en/of ernstig letsel tot gevolg hebben. **Bewaar de veiligheidswaarschuwingen en de instructies zodat u ze later ook nog kunt raadplegen.**

De volgende symbolen worden gebruikt in de gebruiksaanwijzing of op het product:



Duidt op het risico op lichamelijk letsel, overlijden en/of beschadiging van het apparaat, als de instructies in deze gebruiksaanwijzing niet in acht worden genomen.



Verwijst naar een risico op een elektrische schok.



Draag een stofmasker.



Draag een veiligheidsbril.



Bescherm het apparaat tegen vorst.

**ALGEMENE VEILIGHEIDSWAARSCHUWINGEN VOOR ELEKTRISCH GEREEDSCHAP**



**WAARSCHUWING!**

**Lees alle veiligheidswaarschuwingen en instructies, en bekijk alle afbeeldingen en specificaties die met dit elektrische gereedschap zijn meegeleverd.** Het niet opvolgen van alle onderstaande instructies kan een elektrische schok, brand en/of ernstig letsel tot gevolg hebben.

**Bewaar alle waarschuwingen en instructies zodat u ze later ook nog kunt raadplegen.**

De woorden 'elektrisch gereedschap' zoals gebruikt in de waarschuwingen verwijzen naar uw elektrisch gereedschap dat via de stroomvoorziening (met snoer) of op basis van een accu (draadloos) wordt gebruikt.

**1) Veiligheid in de werkgebied**

- a) **Houd het werkgebied goed schoon en goed verlicht.** Op rommelige of donkere werkplekken zullen gemakkelijk ongelukken gebeuren.
- b) **Gebruik geen elektrische gereedschappen in explosieve situaties, zoals in de nabijheid van ontvlambare vloeistoffen, gassen of stof.** Elektrische gereedschappen maken vonken die het stof of de gassen kunnen ontsteken.
- c) **Houd kinderen en omstanders uit de buurt terwijl u het elektrische gereedschap gebruikt.** Door afleidingen kunt u de controle verliezen.

## 2) Elektriciteit - Veiligheid

- a) **Stekkers van elektrisch gereedschap moeten bij de stopcontacten passen. Breng nooit op welke manier dan ook veranderingen in de stekker aan. Gebruik nooit adapterstekkers met geaard elektrisch gereedschap.** *Originele stekkers en passende stopcontacten verminderen het risico op een elektrische schok.*
- b) **Voorkom lichamelijk contact met geaarde oppervlakken, zoals leidingen, radiatoren, fornuizen en koelkasten.** *Er is sprake van een verhoogd risico op een elektrische schok als uw lichaam geaard is.*
- c) **Stel elektrische gereedschappen niet bloot aan regen of natte omstandigheden.** *Als water in het elektrisch gereedschap binnendringt, verhoogt dit de kans op een elektrische schok.*
- d) **Het snoer niet oneigenlijk gebruiken. Gebruik het snoer nooit om het elektrische gereedschap te dragen of mee te slepen, of om de stekker uit het stopcontact te trekken. Houd het snoer weg bij hete voorwerpen, olie, scherpe randen en/of bewegende onderdelen.** *Beschadigde of in de war geraakte snoeren vergroten het risico van een elektrische schok.*
- e) **Als u elektrisch gereedschap buitenshuis gebruikt, dient u altijd een verlengsnoer te gebruiken dat geschikt is voor buitenshuis gebruik.** *Het gebruik van een snoer dat geschikt is voor buitenshuis gebruik, zal het risico op een elektrische schok verminderen.*
- f) **Als het gebruik van elektrisch gereedschap in een vochtige ruimte niet kan worden voorkomen, gebruik dan een altijd een aardlekschakelaar.** *Het gebruik van een aardlekschakelaar zal het risico op een elektrische schok verminderen.*

NB: In het Nederlands wordt gewoonlijk geen andere term dan 'aardlekschakelaar' gebruikt.

## 3) Persoonlijke veiligheid

- a) **Let altijd op en kijk goed uit wat u doet en gebruik uw verstand tijdens het werken met elektrisch gereedschap. Bedien het product niet wanneer u moe of onder invloed van alcohol of drugs bent.** *Een ogenblik van onoplettendheid tijdens het werken*

*met elektrische gereedschap kan ernstig persoonlijk letsel tot gevolg hebben.*

- b) **Gebruik persoonlijke beschermingsmiddelen. Draag altijd oogbescherming.** *Beschermingsmiddelen zoals een stofmasker, antislip-veiligheidsschoenen, helm, of gehoorbescherming die voor de juiste omstandigheden worden gebruikt, zullen het risico op persoonlijk letsel verminderen.*
- c) **Voorkom het onbedoeld starten. Controleer of de schakelaar in de stand Uit staat, voordat het gereedschap op de voeding of accu wordt aangesloten, wordt opgepakt of gedragen.** *Het dragen van elektrische gereedschap met de vinger op de schakelaar, of het inschakelen van elektrisch gereedschap met de schakelaar in de stand Aan, vraagt om ongelukken.*
- d) **Verwijder stelsleutels of moersleutels voordat u het elektrisch gereedschap inschakelt.** *Een moersleutel of andere sleutel die op een draaiend deel van het elektrisch gereedschap blijft zitten, kan persoonlijk letsel tot gevolg hebben.*
- e) **Reik niet buiten uw macht. Blijf altijd stevig en in evenwicht staan.** *Hierdoor hebt u in onverwachte situaties een betere controle over het elektrische gereedschap.*
- f) **Draag de juiste kleding. Draag geen losse kleding of sieraden.** *Houd uw haar, kleding en handschoenen weg bij bewegende onderdelen.* *Loszittende kleding, sieraden of lang haar kunnen door bewegende delen worden gegrepen.*
- g) **Als het apparaat wordt geleverd met een aansluiting voor het afzuigen en verzamelen van stof, zorg er dan voor dat deze correct worden aangesloten en gebruikt.** *Het gebruik van het afzuigen en verzamelen van stof, kan de aan stof gerelateerde gevaren verminderen.*

## 4) Gebruik en onderhoud van elektrisch gereedschap

- a) **Forceer het elektrisch gereedschap niet. Gebruik het juiste elektrisch gereedschap voor uw werkzaamheden.** *Het juiste elektrisch gereedschap klaart de klus beter en veiliger als deze hiervoor is ontworpen.*
- b) **Gebruik het elektrisch gereedschap niet als de schakelaar het apparaat niet in-**

- uitschakelt.** Elk elektrisch gereedschap dat niet met de schakelaar kan worden bediend is gevaarlijk en moet worden gerepareerd.
- c) **Neem de stekker van het elektrische gereedschap uit het stopcontact en/of verwijder de accu voordat enige aanpassingen worden uitgevoerd, accessoires worden vervangen of elektrisch gereedschap wordt opgeborgen.** Dergelijke preventieve veiligheidsmaatregelen verminderen het risico op het onbedoeld starten van het elektrische gereedschap.
- d) **Berg ongebruikt elektrisch gereedschap buiten bereik van kinderen op en sta niet toe dat mensen die onbekend zijn met het elektrische gereedschap of deze instructies, met het elektrische gereedschap werken.** Elektrische gereedschap kan erg gevaarlijk zijn in de handen van ongetrainde gebruikers.
- e) **Onderhoud van elektrisch gereedschap. Controleer op scheve of klemmende bewegende onderdelen, kapotte onderdelen en enige andere omstandigheden die de werking van het elektrische gereedschap kunnen beïnvloeden. Als het elektrisch gereedschap een beschadiging of storing heeft, dient u het eerst te laten repareren.** Veel ongelukken worden veroorzaakt door slecht onderhouden elektrisch gereedschap.
- f) **Zorg ervoor dat snij- of zaaggereedschap scherp en schoon blijft.** Op de juiste manier onderhouden snij- of zaaggereedschap met scherpe snijranden hebben minder de neiging om beklemd te raken en zijn gemakkelijker te sturen.
- g) **Gebruik het elektrische gereedschap, de accessoires, bitjes, enz. volgens deze instructies, rekening houdend met de werkomstandigheden en de uit te voeren werkzaamheden.** Gebruik van het elektrisch gereedschap voor andere werkzaamheden dan het bedoelde gebruik, kan een gevaarlijke situatie tot gevolg hebben.
- 5) Gebruik en onderhoud van de accu**
- a) **Laad de accu uitsluitend op met de door de fabrikant opgegeven lader.** Een lader die geschikt is voor het ene type accu, kan een risico van brand veroorzaken, wanneer deze bij een andere accu wordt gebruikt.
- b) **Gebruik elektrisch gereedschap alleen met de daarvoor specifiek aangewezen accu's.** Het gebruik van andere accu's kan een risico op letsel en/of brand tot gevolg hebben.
- c) **Houd de accu, wanneer deze niet in gebruik is, weg bij metalen voorwerpen zoals paperclips, munten, sleutels, spijkers, schroeven, of andere kleine metalen voorwerpen die een aansluiting tot stand kunnen brengen tussen de ene pool van de accu en de ander.** Kortsluiting tussen polen van de accu kan brandwonden of brand tot gevolg hebben.
- d) **Wanneer de accu ruw wordt behandeld, kan vloeistof uit de accu komen; vermijd contact hiermee. Als dat per ongeluk toch gebeurt, spoel het aangedane gebied dan met water. Als de vloeistof in contact komt met de ogen, roep dan ook medische hulp in. Vloeistof afkomstig uit de accu kan irritatie of brandwonden veroorzaken.**
- 6) Onderhoud**
- a) **Laat uw elektrisch gereedschap onderhouden door een gekwalificeerde reparateur die uitsluitend identieke vervangende onderdelen gebruikt.** Dit waarborgt dat de veiligheid van het elektrisch gereedschap behouden blijft.
- Elektriciteit - Veiligheid:**
- Opgelet dient te worden dat geen vloeistof wordt gericht op elektrische apparatuur of op apparaten die elektrische componenten bevatten. Als het apparaat onjuist wordt gebruikt of als de accu's beschadigd zijn, kan onvlambare vloeistof uit de accu's worden geworpen. Contact met deze vloeistof dient vermeden te worden. Als dat per ongeluk toch gebeurt, spoel het aangedane gebied dan met water. Als de vloeistof in contact komt met de ogen, dient tevens medische hulp ingeroepen te worden.
- U dient de drukspuit nooit te openen of de schroeven van het spuitstuk nooit los te draaien als de drukspuit nog onder druk staat. Om letsel te voorkomen dient u de drukspuit nooit aan een luchtcompressor aan te sluiten.
  - Houd de drukspuit altijd rechtop voordat de veiligheidsklep wordt geactiveerd. Als wordt gespoten met insecticiden, herbiciden, fun-

giciden of andere vloeibare gewasbeschermingsmiddelen, dient u te voldoen aan de speciale voorzorgsmaatregelen die door de fabrikant van het door u gebruikte product zijn gespecificeerd.



*Voorafgaand aan het openen van de tank van de drukspuit, dient de druk vrijgegeven te worden door te veiligheidsklep te activeren.*

**GEVAAR! Kleine onderdelen kunnen gemakkelijk worden ingeslikt. Ook bestaat het gevaar dat kleuters of kleine kinderen in kunststof verpakkingen kunnen stikken. Houd kleuters/kleine kinderen uit de buurt als u het product samenstelt.**

#### Veiligheid tijdens het gebruik:

**VOORZICHTIG:** De tank mag maximaal met 5 liter vloeistof worden gevuld.

- Voorafgaand aan het gebruik de drukspuit eerst visueel controleren.
- Laat de drukspuit nooit onbeheerd achter en berg het apparaat niet gedurende langere tijd op als deze volledig gevuld is en onder druk staat.
- De eenheid buiten bereik van kinderen houden. U bent verantwoordelijk voor de veiligheid van anderen.
- Houd de drukspuit uit de buurt van warmtebronnen en hete omgevingen.
- Schroef de handgreep van de pomp handmatig op (gebruik geen gereedschap) en zorg ervoor dat de O-ring op de juiste manier gepositioneerd is.
- De Aan/Uit-schakelaar mag alleen in de stand 'I' worden ingesteld als de handgreep van de pomp op de container is vastgeschroefd.
- De accu uitsluitend laden bij een omgevingstemperatuur tussen de 0 °C en +40 °C. Als de temperatuur van de accu hoger of lager is dan de hiervoor genoemde, toegestane temperatuur, mag de accu niet worden geladen. Zodra de toegestane temperatuur is bereikt, wordt de accu geladen.

#### Veiligheid tijdens het schoonmaken:

- Na elk gebruik de druk vrijgeven, de container legen en het apparaat goed reinigen en afspoelen met schoon water. Vervolgens de drukspuit in een geopende toestand laten drogen.
- Resterende vloeistoffen niet weggooiën in de riool (plaatselijke afvoersystemen).
- Altijd de drukspuit schoonmaken als u een ander product gaat gebruiken. Op deze manier wordt een chemische reactie voorkomen.
- Als meerdere drukspuiten worden gebruikt, mogen de tanks en spuitstukken onderling niet worden verwisseld.

#### Veiligheid tijdens de opslag:

- Voorafgaand aan het opslaan dient de dop van de tank losgedraaid te worden en dient de drukspuit te allen tijde volledig geleegd te worden (ook na het reinigen met water).
- De opslag mag niet worden blootgesteld aan vorst.
- De drukspuit dient aan de draagriem of aan de handgreep gedragen te worden.
- Zorg ervoor dat het product niet aan direct zonlicht wordt blootgesteld. Het apparaat kan opwarmen.

## 2. INFORMATIE OVER DE MACHINE

#### Bedoeld gebruik

De drukspuit is bedoeld voor het verspreiden van een oplosmiddelvrije vloeistof, zoals pesticiden<sup>1</sup>, herbiciden<sup>1</sup>, meststoffen<sup>1</sup> en ruitenreinigers<sup>1</sup> in particuliere tuinen en volkstuinten.

Het dient niet gebruikt te worden in openbare ruimtes, parken, sportterreinen, of in de landbouw of bosbouw. Het voldoen aan de specificaties zoals opgenomen in deze gebruiksaanwijzing is een vereiste voor het op de juiste manier gebruiken van deze drukspuit.



**Waarschuwing**

1. Gebruik geen spuitpistool voor het spuiten van ontvlambare materialen.
2. Wees alert op enige risico's die het gevolg kunnen zijn van het te spuiten materiaal. Lees ook de markeringen op de container of de informatie afkomstig van de fabrikant van het materiaal dat gespoten gaat worden.
3. Nooit materiaal spuiten waarvan de mogelijke risico's onbekend zijn.
4. Het spuitpistool niet met ontvlambare oplosmiddelen reinigen.

<sup>1</sup> Volgens de Wet inzake gewasbescherming en de Wet gewasbeschermingsmiddelen en biocide mogen alleen goedgekeurde middelen worden gebruikt (geautoriseerde, gespecialiseerde dealers).

**TECHNISCHE SPECIFICATIES**

<b>Modelnr.</b>	<b>PSM1044</b>
Max.inhoud	5 L
Voltage	4V
USB-aansluiting	Type C
Lengte van de sproeibuis (inclusief de handgreep)	15-50 CM
Werktijd	2 uur
Laadtijd	2 uur
Uitgaande druk	0,3 l/min.
Max bedrijfstemperatuur van het water	60 °C
Geluidsdruk (Lpa)	52,8 + 3 dB(A)
Akoestisch vermogen (Lwa)	63,8 + 3 dB(A)
Trilling	0,205 + 1,5 m/s <sup>2</sup>

**Trillingsniveau**

De verklaarde totale waarde voor vibratie werd gemeten overeenkomstig de standaard testmethodes EN 60745-1 & EN50580 en kan worden gebruikt voor het vergelijken van het ene gereedschap met het andere;

De verklaarde totale waarde voor vibratie kan ook worden gebruikt in een voorlopige beoordeling van blootstelling.

- De vibratie-emissie tijdens het gebruikt van het elektrisch gereedschap, kan afwijken van de verklaarde totale waarde, afhankelijk van de manieren waarop het gereedschap wordt gebruikt.
- Er moeten veiligheidsmaatregelen worden geïdentificeerd om de gebruiker te beschermen, die zijn gebaseerd op een schatten van de blootstelling bij de werkelijke

gebruiksomstandigheden (rekening houdend met alle delen van de gebruikscyclus, zoals de momenten waarop het gereedschap uitgeschakeld is en wanneer het stand-by staat, naast de tijd dat het in werking is).

**BESCHRIJVING**

De nummers in deze tekst verwijzen naar de diagrammen op pagina 2-4.

1. Sproeier
2. Spuitstuk - afsluitmoer
3. Kort spuitstuk
4. Verlengstuk naar lange sproeier
5. Slang
6. Slang
7. Handgreep van de tank
8. Ring van de tank
9. Veiligheidsklep
10. Draagriem
11. Laadkabel (meegeleverd)
12. Indicatielampje - lader
13. Aan/Uit-schakelaar
14. Slangfilter
15. Indicatielampje accu
16. Opslag spuitstukken
17. Indicator vloeistofniveau

**3. MONTAGE**

**Spuitstukken**

**Afb. B**

Voor het eerste gebruik wordt het korte spuitstuk (3) op de sproeier (1) bevestigd

- Verwijder de afsluitmoer (2) van het spuitstuk.
- Verwijder en vervang het korte spuitstuk (3) of verlengstuk naar lange sproeier(4).
- Plaats de afsluitmoer (2) van het spuitstuk en draai de moer handmatig vast.



*Controleer of de slang (5) nog goed op de sproeier (1) en de ring van de tank (8) is aangesloten. De moeren handmatig aandraaien, indien vereist.*

**Draagriem**

- Bevestig de draagriem aan de tank.

## 4. WERKING

### Het laden van de drukspuit

#### Afb. C

Steek de stekker van de laadkabel (meegeleverd) in een adapter (niet meegeleverd).

- Steek de stekker van de laadkabel (11) in de drukspuit
- Steek de stekker van de laadkabel in een stopcontact. Na enkele seconden gaat het indicatielampje van de lader (12) branden en wordt de laadstatus getoond.

Het volledig opladen van de accu kan tot 2 uur in beslag nemen.

### Het controleren van de status van de accu

#### Afb. D

Het indicatielampje (15) van de accu toont het resterende laadniveau als op de Aan/Uit-schakelaar (13) wordt gedrukt.

Het indicatielampje (15) van de accu heeft twee lampjes die het resterende niveau tonen. Hoe meer lampjes branden, hoe hoger het resterende vermogen van de accu is.

Als slechts één brandend lampje wordt getoond, geeft dat aan dat de accu bijna leeg is en dat de accu moet worden opgeladen.

### Om de vloeistof te spuiten

#### Afb. E

**NB:** Volg de veiligheidsinstructies en de aanwijzingen voor de verdeling op zoals gespecificeerd door de fabrikant van het product waarmee u gaat sproeien.

1. Trek aan de veiligheidsklep (9). Zie Afb. E1
2. Draai de handgreep van de tank (7) los en vul de tank (6). Zie Afb. E2.  
\* Voeg indien nodig extra vloeistof toe
3. Bevestig de handgreep van de tank (7) weer op de tank (6).



*Controleer of de slang (5) nog goed op de sproeier (1) en de ring van de tank (8) is aangesloten. De moeren handmatig aandraaien, indien vereist.*

4. Druk op de Aan/Uit-schakelaar (13) op de sproeier en blijf deze ingedrukt houden om te kunnen sproeien
5. Als het sproeien gereed is, dient de schakelaar losgelaten worden zodat de sproeier stopt

### Aan de bovenkant van het spuitstuk de sproeier instellen

#### Afb. E4

Het water kan uit de bovenkant van het spuitstuk (3+4) worden gespoten, in een lineaire vorm of in waaivorm. Eerst de sproeier inschakelen, vervolgens de bovenkant van het spuitstuk instellen door deze naar rechts of naar links te draaien. Zoals afgebeeld op Afb. E4.

### Indicator vloeistofniveau (17)

De tank (6) heeft een transparante lijn die het vloeistofniveau in de tank weergeeft. Deze kan ook worden gebruikt als een maatbeker, aangegeven per liter.

## 5. ONDERHOUD

### Schoonmaken

De drukspuit na het sproeien altijd reinigen. Gebruik de drukspuit alleen met schoon water (mogelijk met toevoeging van een afwasmiddel) en sproei totdat de tank leeg is. De kleppen, de sproeier (1), de spuitstukken (3+4), de slang (5) en het slangfilter (14) in de tank worden gereinigd.

Trek aan de veiligheidsklep (9) om te beoordelen of ergens een blokkade is opgetreden die het probleemloos functioneren kan belemmeren.

### Opslag

#### Afb. F1, F2

- Plaats de sproeier op de houder, zoals aanwezig op de ring van de tank. Zoals afgebeeld op Afb. F1
- Het spuitstuk dat niet op de sproeier is bevestigd, kan in de opbergruimte voor spuitstukken (16) worden opgeborgen, zoals weergegeven in Afb. F2.



*Berg de drukspuit op in een vorstvrije ruimte.*



## 6. PROBLEEMOPLOSSING

### Het reinigen van het slangfilter:

Draai de handgreep van de tank los en verwijder de slang die in de tank aanwezig is. Reinig het filter. Na het reinigen dient het bevestigde filter weer in de tankslang geplaatst te worden, waarna de slang weer in de tank geplaatst dient te worden.

### In de tank is vloeistof aanwezig, maar de sproeier sproeit niet.

- Controleer of de drukspuit volledig geladen is
- Controleer of alle slangen (ook in de tank) op de juiste manier zijn aangesloten. Indien nodig de slangen opnieuw aansluiten en de noodzakelijke moeren aandraaien.
- Ontlast de druk door de veiligheidsklep te activeren.

## MILIEU

Om transportbeschadiging te voorkomen, wordt de machine in een stevige verpakking geleverd. De verpakking is zo veel mogelijk gemaakt van recyclebaar materiaal. Maak daarom gebruik van de mogelijkheid om de verpakking te recyclen.



*Het symbool van de doorgekruiste vuilniscontainer betekent dat dit product niet met het gewone huisvuil mag worden weggegooid. Elektronische en elektrische apparatuur die niet is opgenomen in het selectieve afvalsorteringsproces is potentieel gevaarlijk voor het milieu en de menselijke gezondheid vanwege de aanwezigheid van gevaarlijke stoffen. Voer deze op verantwoorde wijze af bij een erkend afvalverwerkings- of recyclingbedrijf.*

### Uitsluitend voor EG-landen

Werp elektrisch gereedschap niet weg bij het huisvuil. Conform de Europese Richtlijn 2012/19/EU voor Afgedankte Elektrische en Elektronische Apparatuur en de implementatie ervan in nationaal recht moet niet langer te gebruiken elektrisch gereedschap gescheiden worden verzameld en op een milieuvriendelijke wijze worden verwerkt.

## GARANTIE

Producten van FERM worden op basis van de hoogste kwaliteitsnormen ontwikkeld en zijn gegarandeerd vrij van defecten, zowel voor wat betreft het materiaal als de afwerking, gedurende de door de wet bepaalde periode, startend vanaf de datum van de originele aankoop. Mocht het product gedurende deze periode enige storingen vertonen als gevolg van gebrekkig materiaal en/of gebrekkige afwerking, dient direct contact met uw FERM-dealer opgenomen te worden.

De volgende omstandigheden zijn uitgesloten van de garantie:

- Reparatie en/of wijzigingen die door een niet erkend servicecentrum aan de machine werd/ werden aangebracht of waartoe een poging werd ondernomen;
- Normale slijtage.
- Het gereedschap werd misbruikt, verkeerd werd gebruikt en/of onjuist werd onderhouden.
- Niet-originele reserveonderdelen werden gebruikt.

Dit betreft de enige garantie die door de organisatie, impliciet of expliciet, wordt aangeboden. Geen andere garanties, impliciet noch expliciet, die verder strekken dan deze garantie, inclusief de impliciete garanties inzake de verkoopbaarheid en geschiktheid voor een specifiek doel. In geen geval zal FERM aansprakelijk zijn voor incidentele schade of gevolgschade. De oplossingen van de dealers zullen beperkt zijn tot de reparatie of het vervangen van niet-conforme eenheden of onderdelen.

**Het product en de gebruiksaanwijzing kunnen worden gewijzigd. Specificaties kunnen zonder voorafgaande kennisgeving worden gewijzigd.**

## PULVÉRISATEUR SOUS PRESSION 5L - 4V PSM1044

### Merci d'avoir acheté ce produit FERM.

Grâce à lui, vous possédez maintenant un produit d'excellente qualité, proposé par l'un des fournisseurs leaders en Europe. Tous les produits proposés par Ferm sont fabriqués conformément aux plus hautes normes de performance et de sécurité. Notre philosophie d'entreprise prévoit également un excellent service clientèle, renforcé par notre garantie complète. Nous espérons que vous apprécierez l'utilisation de ce produit pendant de nombreuses années.



Ne jetez pas la batterie au feu



Ne jetez pas la batterie dans l'eau



Ne jetez pas le produit de façon inappropriée.



Recyclez la batterie Li-Ion.



Le produit est conforme aux normes de sécurité en vigueur des directives européennes.

## 1. CONSIGNES DE SÉCURITÉ



**Veillez à bien lire les avertissements de sécurité, les avertissements supplémentaires de sécurité ainsi que toutes les instructions jointes.** Le non-respect des avertissements de sécurité et des consignes peut entraîner des décharges électriques, des incendies et/ou de graves blessures. **Conservez tous les avertissements et toutes les instructions liées à la sécurité afin de pouvoir vous y référer dans le futur.**

Les symboles qui suivent sont utilisés dans la notice d'utilisation ou sur le produit :



Indique un risque de blessure, de décès ou de détérioration de l'outil en cas de non-respect des consignes de la présente notice.



Indique un risque de décharge électrique.



Portez un masque à poussière.



Portez des lunettes de protection.



Protégez l'appareil du gel.



### AVERTISSEMENT !

**Veillez à lire tous les avertissements sur la sécurité, toutes les instructions, toutes les illustrations et toutes les spécifications fournies avec cet outil électrique.** Le non-respect de toutes les instructions listées ci-dessous peut entraîner des décharges électriques, des incendies et/ou de graves blessures.

**Conservez tous les avertissements et toutes les instructions afin de pouvoir vous y référer dans le futur.**

Le terme "outil électrique" mentionné dans les avertissements fait référence à vos outils électriques branchés sur secteur (avec câble) ou fonctionnant sur pile ou batterie (sans fil).

#### 1) Sécurité de la zone de travail

- a) **Maintenez la zone de travail propre et bien éclairée.** Les zones sombres ou encombrées sont propices aux accidents.
- b) **N'utilisez pas d'outils électriques dans un environnement présentant des risques d'explosion ou en présence de liquides, gaz ou poussières inflammables.** Les outils électriques créent des étincelles qui peuvent enflammer les poussières et les fumées.
- c) **Maintenez les enfants et les autres personnes éloignés lorsqu'un outil électrique**

**est en marche.** Toute distraction peut vous faire perdre le contrôle de l'outil.

## 2) Sécurité électrique

- a) **Les prises des outils électriques doivent correspondre à la prise de courant murale. Ne modifiez jamais la prise d'aucune sorte. N'utilisez aucun adaptateur avec des outils électriques reliés à la terre.** L'utilisation de prises d'origine non modifiées et de prises murales appropriées permet de réduire le risque de décharge électrique.
- b) **Évitez tout contact physique avec des surfaces reliées à la terre comme des tuyaux, des radiateurs, des fours et des réfrigérateurs par exemple.** Le risque de décharge électrique augmente lorsque votre corps est relié à la terre.
- c) **N'exposez pas les outils électriques à la pluie, ni à l'humidité.** Le risque de décharge électrique augmente si de l'eau pénètre dans un outil électrique.
- d) **N'tirez pas sur le cordon d'alimentation. N'utilisez jamais le cordon pour transporter, tirer ou débrancher l'outil électrique. Maintenez le cordon à l'écart de la chaleur, des substances grasses, des bords tranchants ou des pièces mobiles.** Les cordons endommagés ou emmêlés augmentent les risques de décharges électriques.
- e) **Si vous utilisez un outil électrique à l'extérieur, utilisez une rallonge homologuée pour les travaux à l'extérieur.** L'utilisation d'une rallonge électrique homologuée pour les travaux à l'extérieur réduit le risque de décharge électrique.
- f) **Si l'utilisation d'un outil électrique dans un endroit humide est inévitable, utilisez une alimentation électrique protégée par un disjoncteur différentiel à courant résiduel (DDR).** L'utilisation d'un DDR réduit le risque de décharge électrique.  
REMARQUE : Le terme "dispositif différentiel à courant résiduel (DDR)" peut être remplacé par le terme "DDFT - Disjoncteur de défaut de terre (DDT)" ou "Disjoncteur différentiel de fuite de terre (DDFT)".

## 3) Sécurité des personnes

- a) **Restez vigilant, surveillez ce que vous faites et faites preuve de bon sens lorsque**

**vous utilisez un outil électrique. N'utilisez pas d'outils si vous êtes fatigué ou sous l'influence de drogue, d'alcool ou de médicaments.** Tout moment d'inattention pendant l'utilisation d'un outil électrique peut engendrer de graves blessures.

- b) **Portez des équipements de protection individuelle. Veillez à toujours porter une protection oculaire.** Les équipements de protection comme les masques à poussière, les chaussures de sécurité antidérapantes, les casques ou les protections auditives réduisent le risque de blessures s'ils sont utilisés à bon escient.
- c) **Empêchez tout démarrage intempestif. Veillez à ce l'interrupteur soit sur la position Arrêt avant de raccorder l'outil à l'alimentation électrique et/ou au bloc-batterie ou avant de ramasser ou de transporter l'outil.** Le fait de transporter les outils électriques le doigt sur l'interrupteur ou d'alimenter les outils électriques dont l'interrupteur est déjà en position de marche augmente le risque d'accidents.
- d) **Retirez toutes les clés ou pinces de réglage avant de mettre l'outil en marche.** Une clé ou une pince restée fixée sur une pièce rotative de l'outil électrique peut engendrer des blessures.
- e) **Ne vous penchez pas. Gardez les pieds bien ancrés au sol et conservez votre équilibre en permanence.** Cela permet de mieux maîtriser l'outil électrique en cas de situations imprévues.
- f) **Portez des vêtements appropriés. Ne portez aucuns vêtements amples, ni bijoux. Gardez vos cheveux, vos vêtements et vos gants éloignés des pièces mobiles.** Les vêtements amples, les bijoux et les cheveux longs peuvent se trouver pris dans les pièces mobiles.
- g) **Si vous disposez de dispositifs pour le raccordement d'un extracteur de poussière ou d'installations pour la récupération, assurez-vous qu'ils sont correctement raccordés et utilisés.** L'utilisation de dispositifs récupérateurs de poussière peut réduire les risques liés aux poussières.

- 4) Utiliser et entretenir un outil électrique**
- Ne forcez pas sur l'outil. Utilisez l'outil électrique approprié, adapté pour le travail à réaliser.** *Un outil adapté fonctionne mieux, de façon plus sûre et à la cadence pour laquelle il a été conçu.*
  - N'utilisez pas l'outil électrique si l'interrupteur ne permet plus de le mettre en marche et de l'éteindre.** *Tout outil électrique qui ne peut plus être commandé par son interrupteur est dangereux et il doit être réparé.*
  - Débranchez la prise de courant et/ou retirez ou retirez le bloc-batterie de l'outil électrique avant d'effectuer tout réglage, de changer un accessoire ou de ranger l'outil électrique.** *Ces mesures de sécurité préventives réduisent le risque de démarrage accidentel de l'outil électrique.*
  - Rangez les outils électriques non utilisés hors de portée des enfants et ne laissez aucune personne ne connaissant pas ces outils ou ces consignes les faire fonctionner.** *Les outils électriques peuvent être dangereux entre des mains inexpérimentées.*
  - Veillez à bien entretenir vos outils électriques. Vérifiez que les pièces mobiles sont alignées correctement et qu'elles ne sont pas coincées. Vérifiez qu'aucune pièce n'est cassée et contrôlez l'absence de toute autre condition qui pourrait nuire au bon fonctionnement de l'outil. En cas de dommage, faites réparer l'outil électrique avant de le réutiliser.** *De nombreux accidents sont provoqués par des outils électriques mal entretenus.*
  - Maintenez les organes de coupe affûtés et propres.** *Des organes de coupe bien entretenus et dont le tranchant est affûté sont moins susceptibles de rester coincés et ils sont plus faciles à contrôler.*
  - Utilisez les outils électriques, les accessoires et les embouts d'outil conformément à ces instructions, en tenant compte des conditions de travail, ainsi que du travail à effectuer.** *L'utilisation d'un outil électrique à d'autres fins que celles pour lesquelles il a été prévu peut entraîner des situations dangereuses.*
- 5) Utiliser et entretenir des outils fonctionnant sur batterie**
- Veillez à n'effectuer la recharge qu'à l'aide du chargeur spécifié par le fabricant.** *Un chargeur adapté pour un type de bloc-batterie peut engendrer un risque d'incendie s'il est utilisé avec un bloc-batterie différent.*
  - N'utilisez les outils électriques qu'avec les blocs-batteries qui leur sont dédiés.** *L'utilisation d'autres blocs-batteries peut créer un risque de blessures et d'incendie.*
  - Lorsque le bloc-batterie n'est pas utilisé, éloignez-le des objets métalliques comme les trombones, les pièces, les clés, les clous, les vis ou les autres petits objets qui pourraient créer un contact entre les deux bornes.** *La mise en court-circuit des bornes d'une batterie peut provoquer des brûlures ou un incendie.*
  - Dans des conditions extrêmes, du liquide peut être éjecté de la batterie. Évitez tout contact. En cas de contact accidentel, rincez à l'eau. En cas de contact avec les yeux, consultez en plus un médecin.** *Le liquide sortant de la batterie peut provoquer des irritations ou des brûlures.*
- 6) Service**
- Ne faites réviser/réparer votre outil électrique que par un réparateur qualifié qui n'utilise que des pièces détachées d'origine.** *Cela permet de garantir la sûreté de l'outil électrique.*
- Sécurité électrique :**
- Veillez à vous assurer qu'aucun liquide ne soit dirigé vers les équipements électriques ou des équipements contenant des composants électriques. Si l'appareil n'est pas utilisé correctement ou si les batteries sont endommagées, il est possible que du liquide inflammable soit éjecté des batteries. Évitez tout contact avec ce liquide. En cas de contact accidentel, rincez à l'eau. Si du liquide entre en contact avec vos yeux, consultez en plus un médecin.
- N'ouvrez jamais le pulvérisateur sous pression et ne dévissez jamais l'embout du pulvérisateur s'il est toujours sous pression. Afin d'éviter les blessures, ne raccordez jamais le

- pulvérisateur sous pression à un compresseur d'air.
- Tenez toujours le pulvérisateur sous pression à la verticale avant de tirer sur la soupape de détente. Si vous pulvérisez des insecticides, des herbicides, des fongicides ou d'autres liquides pour protéger vos végétaux, vous devez respecter toutes les mesures de précaution spécifiques, notifiées par le fabricant du produit que vous utilisez.



*Avant d'ouvrir le réservoir du pulvérisateur, purgez complètement la pression en tirant sur la soupape de détente.*

**DANGER ! Les petites pièces sont facilement ingérables. Il existe également un risque d'étouffement avec le sac pour les tout-petits. Gardez les tout petits à l'écart au moment d'assembler le produit.**

#### Sûreté du fonctionnement :

**ATTENTION :** Le réservoir ne peut contenir que 5 litres de liquide maximum.

- Inspectez visuellement le pulvérisateur avant chaque utilisation.
- Ne laissez jamais le pulvérisateur sans surveillance et ne le rangez jamais alors qu'il est encore plein et sous pression.
- Gardez l'appareil hors de la portée des enfants. Vous êtes responsable de la sécurité des autres personnes.
- Tenez votre pulvérisateur à l'écart des sources de chaleur et des environnements trop chauds.
- Veillez à fermement visser la poignée de la pompe à la main (n'utilisez aucun outil) et veillez à ce que le joint torique soit correctement positionné.
- L'interrupteur Marche/Arrêt ne peut être placé sur "I" que si la poignée de la pompe est correctement vissée sur le réservoir.
- Ne rechargez la batterie qu'à une température ambiante comprise entre 0 °C et + 40 °C. La batterie ne peut pas être rechargée si sa température est en dehors de la plage admissible pour sa recharge. La batterie est rechargée, dès que la plage de températures admissible est atteinte.

#### Sécurité pour le nettoyage :

- Purgez la pression après chaque utilisation, videz le réservoir, nettoyez-le avec soin et rincez-le à l'eau claire. Laissez ensuite le pulvérisateur ouvert pour le laisser sécher.
- Ne jetez pas les restes de liquides dans les canalisations (utilisez un système de collecte local).
- Veillez à toujours laver le pulvérisateur avant de changer de produit fin d'éviter toute réaction chimique.
- Si vous utilisez plusieurs pulvérisateurs, vous ne pouvez pas interchanger les embouts et les réservoirs.

#### Sécurité pour le rangement :

- Avant de ranger le pulvérisateur, dévissez le couvercle du réservoir et videz-le complètement (même après l'avoir lavé à l'eau).
- Rangez-le à l'abri du gel.
- Portez le pulvérisateur par la bandoulière ou la poignée.
- Veillez à protéger le produit des rayons directs du soleil. Le produit pourrait chauffer.

## 2. INFORMATIONS SUR LA MACHINE

#### Utilisation prévue

Le pulvérisateur sous pression est destiné à pulvériser des liquides sans solvants, par exemple : des pesticides<sup>1</sup>, des herbicides<sup>1</sup>, des engrais<sup>1</sup> ou du produit pour nettoyer les vitres<sup>1</sup> dans les jardins et les habitations.

Il ne doit pas être utilisé dans les lieux publics, parcs, stades ou en agriculture et foresterie. Le respect des spécifications de la présente notice est essentielle à la bonne utilisation du pulvérisateur sous pression.



#### Avertissement

1. N'utilisez les pistolets pour vaporiser des substances inflammables.
2. Gardez à l'esprit tous les risques que représentent les produits que vous pulvérisez et pensez à consulter et respecter les

mentions apposées sur le réservoir et les informations fournies par le fabricant des produits que vous pulvérisiez.

3. Ne pulvérisiez jamais un produit dont vous ne connaissez pas les risques.
4. Ne nettoyez pas les pistolets à l'aide de solvants.

<sup>1</sup> Conformément à la loi sur la protection des végétaux et à la loi sur les détergents et les agents de nettoyage, vous ne pouvez utiliser que des agents autorisés (revendeurs spécialisés agréés).

#### CARACTÉRISTIQUES TECHNIQUES

N° de modèle	PSM1044
Capacité maxi	5L
Tension	4V
Prise USB	Type C
Longueur du tube (avec la poignée)	15-50CM
Autonomie	2 heures
Durée de la charge	2 heures
Pression en sortie	0,3L/min
Température de service de l'eau maxi	60 °C
Pression sonore (Lpa)	52,8 + 3 dB(A)
Puissance sonore (Lwa)	63,8 + 3 dB(A)
Vibrations	0,205 + 1,5 m/s <sup>2</sup>

#### Niveau des vibrations

La valeur totale des vibrations déclarée a été mesurée conformément à une méthode de test normalisée (EN 60745-1 et EN50580) et elle peut être utilisée pour comparer un outil à un autre ; La valeur totale des vibrations déclarée peut également être utilisée pour une évaluation préliminaire à l'exposition.

- En fonction de la manière dont l'outil est utilisé, les vibrations réellement émises pendant son utilisation peuvent différer par rapport à la valeur déclarée.
- Il est nécessaire d'identifier des mesures de sécurité pour protéger l'opérateur, basées sur une estimation de l'exposition dans les conditions réelles d'utilisation (en prenant en compte toutes les parties du cycle de fonctionnement, comme le nombre de fois où l'outil est éteint et lorsqu'il fonctionne à vide, en plus des durées de déclenchement).

#### PRÉSENTATION

Les numéros dans le texte renvoient aux diagrammes des pages 2 à 4.

1. Pulvérisateur
2. Écrou de fixation de l'embout
3. Embout court
4. Rallonge embout long
5. Tuyau
6. Réservoir
7. Poignée du réservoir
8. Bague du réservoir
9. Soupape de détente
10. Bandoulière
11. Câble de charge (fourni)
12. Voyant de charge
13. Interrupteur Marche/Arrêt
14. Filtre du tuyau
15. Voyant de la batterie
16. Rangement pour les embouts
17. Indicateur du niveau de liquide

### 3. ASSEMBLAGE

#### Buses

##### Fig. B

À la première utilisation, l'embout court (3) est installé sur le pulvérisateur (1)

- Retirez l'écrou de fixation de l'embout (2).
- Retirez l'embout et remplacez-le par l'embout court (3) ou rallonge embout long (4).
- Installez l'écrou de fixation de l'embout (2) et serrez-le à la main.



*Contrôlez que le tuyau (5) est toujours bien raccordé au pulvérisateur (1) et à la bague du réservoir (8). Si nécessaire, resserrez les écrous à la main.*

#### Bandoulière

- Fixez la bandoulière sur le réservoir.

### 4. UTILISATION

#### Remplir le pulvérisateur

##### Fig. C

Branchez le câble du chargeur (fourni) dans un adaptateur (non fourni).

- Branchez le câble du chargeur (11) dans le pulvérisateur
- Branchez le chargeur dans une prise de courant. Après quelques secondes le voyant de charge (12) s'allume pour indiquer que la charge est en cours.

La charge complète de la batterie peut prendre jusqu'à 2 heures.

#### Contrôler le niveau de charge de la batterie

##### Fig. D

Le voyant de la batterie (15) indique le niveau de charge restant lorsque l'interrupteur Marche/Arrêt (13) est enfoncé.

Le voyant de la batterie (15) dispose de deux voyants indiquant le niveau de charge restant. Plus il y a de voyants allumés, plus la capacité de la batterie est importante.

Lorsqu'il n'y a plus qu'un seul voyant allumé, cela indique que la batterie est presque vide et qu'elle doit être rechargée.

#### Pour pulvériser des liquides

##### Fig. E

**Remarque :** Veillez à respecter les consignes de sécurité et les consignes sur les proportions fournies par le fabricant du produit que vous allez pulvériser.

1. Tirez sur la soupape de détente (9). Consultez la Fig. E1
2. Dévissez la poignée du réservoir (7) et remplissez le réservoir (6). Consultez la Fig. E2.  
\* Si nécessaire, ajoutez un additif liquide
3. Revissez la poignée du réservoir (7) sur le réservoir (6).



*Contrôlez que le tuyau (5) est toujours bien raccordé au pulvérisateur (1) et à la bague du réservoir (8). Si nécessaire, resserrez les écrous à la main.*

4. Maintenez l'interrupteur Marche/Arrêt (13) enfoncée pour pouvoir pulvériser
5. Une fois la pulvérisation terminée, relâchez le bouton sur le pulvérisateur

#### Régler le jet de l'embout

##### Fig. E4

Le jet d'eau sortant de l'embout (3+4) peut être réglé de fin à large. Mettez d'abord le pulvérisateur en marche puis réglez l'embout en le tournant dans le sens des aiguilles d'une montre ou dans le sens inverse. Comme illustré par Fig. E4.

#### Indicateur du niveau de liquide (17)

Le réservoir (6) intègre une ligne transparente qui permet de voir le niveau de liquide dans le réservoir.

Elle peut également servir comme doseur, le marquage est en litres.

## 5. MAINTENANCE

#### Nettoyage

Veillez à toujours laver le pulvérisateur après chaque utilisation. N'utilisez le pulvérisateur sous pression qu'avec de l'eau claire (avec un peu liquide vaisselle au besoin) et videz-le en pulvérisant toute l'eau. Les soupapes, le pulvérisateur (1), les embouts (3+4), le tuyau (5) et le filtre du tuyau (14) à l'intérieur du réservoir sont propres.

Tirez sur la soupape de détente (9) pour contrôler l'absence de blocage dans son fonctionnement.

#### Rangement

##### Fig. F1, F2

- Placez le pulvérisateur sur son support sur la bague du réservoir. Comme illustré par Fig. F1
- L'embout qui n'est pas sur le pulvérisateur peut être rangée dans le compartiment de rangement (16), comme illustré par la Fig. F2.



*Rangez le pulvérisateur à l'abri du gel.*

## 6. DÉPANNAGE

### Pour nettoyer le filtre du tuyau :

Dévissez la poignée du réservoir et retirez le tuyau à l'intérieur du réservoir. Nettoyez le filtre. Après le nettoyage, réinstallez le filtre sur le tuyau du réservoir et le tuyau dans le réservoir.

### Il y a du liquide dans le réservoir mais le pulvérisateur ne fonctionne pas.

- Contrôlez que le pulvérisateur est parfaitement rechargé
- Contrôlez que les tuyaux (à l'intérieur du réservoir également) sont bien raccordés. Au besoin, rebranchez-les et resserrez les écrous.
- Purgez la pression en tirant sur la soupape de détente.

## ENVIRONNEMENT

Pour éviter les dommages liés au transport, la machine est livrée dans un emballage robuste. L'emballage est autant que possible constitué de matériau recyclable. Veuillez par conséquent destiner cet emballage au recyclage.



*Le symbole de la poubelle barrée signifie que ce produit ne peut pas être éliminé avec les déchets ménagers usuels. Les équipements électroniques et électriques non compris dans le processus de tri sélectif sont potentiellement dangereux pour l'environnement et la santé humaine en raison de la présence de substances dangereuses. Veuillez les éliminer de manière responsable dans des centres approuvés de traitement ou recyclage des déchets.*

### Uniquement pour les pays de l'UE

Ne jetez pas les outils électriques avec les déchets domestiques. Selon la Directive européenne 2012/19/EU relative aux déchets d'équipements électriques et électroniques et sa mise en œuvre dans le droit national, les outils électriques hors d'usage doivent être collectés séparément et mis au rebut de manière écologique.

## GARANTIE

Les produits FERM sont développés avec les normes de qualité les plus hautes et ils sont garantis pour être exempts de défaut de pièces et de main d'œuvre pour la durée stipulée par la loi et à compter de la date d'achat initiale. Si, au cours de cette période, le produit devait rencontrer une quelconque panne due à un défaut de pièce ou de main d'œuvre, contactez votre revendeur FERM directement.

Les conditions suivantes sont exclues de la garantie :

- Réparations ou modifications sur la machine, faites ou tentées par des réparateurs non agréés.
- Usure normale.
- Utilisation abusive ou incorrecte ou maintenance incorrecte de l'outil.
- Utilisation de pièces détachées non d'origine

Cela constitue l'unique garantie, explicite ou implicite, proposée par la société. Il n'existe aucune autre garantie, explicite ou implicite, qui puisse dépasser le cadre de la présente garantie, y compris les garanties implicites de qualité marchande et d'adaptation à un usage particulier. En aucun cas, FERM ne saurait être tenu responsable pour les dommages accidentels ou consécutifs. Les recours des revendeurs sont limités à la réparation ou au remplacement des équipements ou des pièces non conformes.

**Le produit et la notice d'utilisation sont sujets à modifications. Les caractéristiques peuvent être modifiées sans notification préalable.**



**DRUCKSPRÜHER 5 l - 4 V  
PSM1044**

**Vielen Dank für den Kauf dieses FERM-Produkts.**

Hiermit erwerben Sie ein hervorragendes Produkt, das von einem der führenden Anbieter Europas geliefert wird. Alle Ihnen von Ferm gelieferten Produkte werden gemäß den höchsten Leistungs- und Sicherheitsstandards hergestellt. Als Teil unserer Philosophie bieten wir Ihnen außerdem einen hervorragenden Kundenservice, der durch unsere umfassende Gewährleistung abgedeckt ist. Wir hoffen, dass Sie in den kommenden Jahren viel Freude mit diesem Produkt haben werden.

**1. SICHERHEITSHINWEISE**



*Lesen Sie die beigefügten Sicherheitswarnungen, die zusätzlichen Sicherheitswarnungen und die Anweisungen. Die Nichteinhaltung der Sicherheitswarnungen und der Anweisungen kann in einem Stromschlag, Brand und/oder in schweren Verletzungen resultieren. Bewahren Sie die Sicherheitswarnungen und Anweisungen für künftige Referenzzwecke auf.*

Die folgenden Symbole werden im Benutzerhandbuch oder auf dem Produkt verwendet:



*Bedeutet, dass bei Nichtbeachtung der Anweisungen in dieser Anleitung Verletzungen, Tod oder Beschädigung des Geräts die Folge sein können.*



*Bedeutet, dass die Gefahr eines Stromschlags besteht.*



*Immer eine Staubmaske tragen.*



*Immer eine Schutzbrille tragen.*



*Das Gerät muss vor Frost geschützt werden.*



*Werfen Sie den Akku nicht ins Feuer.*



*Werfen Sie den Akku nicht ins Wasser.*



*Das Produkt nicht in ungeeigneten Behältern entsorgen.*



*Li-Ionen-Akkus müssen separat entsorgt werden.*



*Das Produkt entspricht den geltenden Sicherheitsstandards in den europäischen Richtlinien.*

**ALLGEMEINE SICHERHEITSHINWEISE FÜR ELEKTROWERKZEUGE**



**WARNUNG!**  
*Lesen und beachten Sie alle Sicherheitswarnungen, Anweisungen, Abbildungen und Spezifikationen, die mit diesem Elektrowerkzeug geliefert werden.*

*Die Nichtbeachtung aller der nachfolgend aufgeführten Anweisungen kann in einem Stromschlag, Brand und/oder in schweren Verletzungen resultieren.*

**Bewahren Sie die Warnungen und Anweisungen für künftige Referenzzwecke auf.**

*Der Begriff „Elektrowerkzeug“ in den Warnhinweisen bezieht sich auf ein netzbetriebenes (kabelgebundenes) oder auf ein akkubetriebenes (kabelloses) Elektrowerkzeug.*

- 1) Sicherheit am Arbeitsplatz**
  - a) **Halten Sie den Arbeitsbereich sauber und gut beleuchtet.** Unübersichtliche oder dunkle Bereiche führen eher zu Unfällen.
  - b) **Betreiben Sie Elektrowerkzeuge nicht in explosionsgefährdeten Bereichen, z. B. bei Vorhandensein von brennbaren Flüssigkeiten, Gasen oder Staub.** Elektrowerkzeuge erzeugen Funken, die den Staub oder die Dämpfe entzünden können.

- c) **Halten Sie Kinder und Umstehende fern, während Sie Elektrogeräte benutzen.** Ablenkungen können zum Verlust der Kontrolle führen.
- 2) Elektrische Sicherheit**
- a) **Die Stecker von Elektrowerkzeugen müssen zur Steckdose passen. Den Stecker niemals modifizieren. Verwenden Sie bei geerdeten Elektrowerkzeugen keine Adapterstecker.** Nicht modifizierte Stecker und passende Steckdosen reduzieren das Stromschlagrisiko.
- b) **Vermeiden Sie Körperkontakt mit geerdeten Oberflächen, wie Rohren, Heizkörpern, Herden und Kühlschränken.** Es besteht ein erhöhtes Stromschlagrisiko, wenn Ihr Körper geerdet ist.
- c) **Setzen Sie Elektrowerkzeuge keinem Regen oder feuchten Bedingungen aus.** Wenn Wasser in ein Elektrowerkzeug eindringt, erhöht sich die Gefahr eines Stromschlags.
- d) **Missbrauchen Sie das Kabel nicht. Verwenden Sie das Kabel niemals zum Tragen, Ziehen oder Herausziehen des Steckers des Elektrowerkzeugs. Halten Sie das Kabel vor Wärme, Öl, spitzen Kanten oder sich bewegenden Teilen fern.** Beschädigte oder verwickelte Kabel erhöhen das Stromschlagrisiko.
- e) **Wenn Sie ein Elektrowerkzeug im Freien betreiben, verwenden Sie ein für den Außeneinsatz geeignetes Verlängerungskabel.** Die Verwendung eines für den Außeneinsatz geeigneten Kabels verringert das Risiko eines Stromschlags.
- f) **Wenn der Betrieb eines Elektrowerkzeugs in einer feuchten Umgebung unvermeidlich ist, verwenden Sie eine durch einen Fehlerstromschutzschalter geschützte Stromversorgung.** Die Verwendung eines Fehlerstromschutzschalters senkt das Stromschlagrisiko. HINWEIS: Der Begriff „Fehlerstromschutzschalter“ kann durch den Begriff „FI-Schutzschalter“ oder „Differenzialschutzschalter“ ersetzt werden.
- 3) Sicherheit von Personen**
- a) **Bleiben Sie beim Umgang mit einem Elektrowerkzeug aufmerksam, achten Sie auf das, was Sie tun, und benutzen Sie Ihren gesunden Menschenverstand. Benutzen Sie Elektrogeräte nicht, wenn Sie müde sind oder unter dem Einfluss von Drogen, Alkohol oder Medikamenten stehen.** Ein Moment der Unachtsamkeit während des Betriebs eines Elektrowerkzeugs kann zu schwerwiegenden Verletzungen führen.
- b) **Tragen Sie persönliche Schutzausrüstung. Immer eine Schutzbrille tragen.** Schutzausrüstungen wie Staubmaske, rutschfeste Sicherheitsschuhe, Schutzhelm oder Gehörschutz, die unter entsprechenden Bedingungen verwendet werden, verringern die Zahl der Verletzungen.
- c) **Unbeabsichtigtes Starten verhindern. Vergewissern Sie sich, dass der Schalter ausgeschaltet ist, bevor Sie das Gerät an die Stromquelle und/oder den Akku anschließen, es in die Hand nehmen oder tragen.** Das Tragen von Elektrowerkzeugen mit dem Finger auf dem Schalter oder das Einschalten von Elektrowerkzeugen, bei denen der Schalter eingeschaltet ist, lädt zu Unfällen ein.
- d) **Entfernen Sie vor dem Einschalten des Elektrowerkzeugs alle Einstellschlüssel oder Schraubenschlüssel.** Ein Einstellschlüssel oder Schraubenschlüssel, der an einem rotierenden Teil des Elektrowerkzeugs verbleibt, kann zu Verletzungen führen.
- e) **Keine anormale Arbeitshaltung einnehmen. Achten Sie jederzeit auf festen Stand und Ihr Gleichgewicht.** Das ermöglicht eine bessere Kontrolle des Elektrowerkzeugs in unerwarteten Situationen.
- f) **Angemessene Kleidung tragen. Tragen Sie keine locker sitzende Kleidung oder Schmuck. Haare, Kleidung und Handschuhe von beweglichen Teilen fernhalten.** Locker sitzende Kleidung, Schmuck oder lange Haare können sich in beweglichen Teilen verfangen.
- g) **Wenn Anschlüsse für Vorrichtungen zum Absaugen und Sammeln von Staub vorhanden sind, stellen Sie sicher, dass diese angebracht und ordnungsgemäß verwendet werden.** Die Verwendung einer Staubabsaugvorrichtung kann staubbedingte Gefahren verringern.

- 4) Verwendung und Pflege von Elektrowerkzeugen**
- a) **Wenden Sie keine übermäßige Kraft auf das Elektrowerkzeug an. Verwenden Sie das richtige Elektrowerkzeug für Ihre Anwendung.** Das richtige Elektrowerkzeug erledigt die Arbeit besser und sicherer mit der Geschwindigkeit, für die es konzipiert wurde.
  - b) **Verwenden Sie das Elektrowerkzeug nicht, wenn es nicht am Schalter ein- und ausgeschaltet werden kann.** Jedes Elektrowerkzeug, das nicht mit dem Schalter gesteuert werden kann, stellt eine Gefahr dar und muss repariert werden.
  - c) **Ziehen Sie den Stecker aus der Steckdose bzw. trennen Sie den Akku-Pack vom Elektrowerkzeug, bevor Sie irgendwelche Einstellungen vornehmen, Zubehörteile austauschen oder Elektrowerkzeuge aufbewahren.** Diese vorbeugenden Sicherheitsmaßnahmen verringern das Risiko einer unbeabsichtigten Inbetriebnahme des Elektrowerkzeugs.
  - d) **Bewahren Sie ungenutzte Elektrowerkzeuge außerhalb der Reichweite von Kindern auf und erlauben Sie Personen, die mit dem Elektrowerkzeug oder dieser Anleitung nicht vertraut sind, nicht, das Elektrowerkzeug zu bedienen.** Elektrowerkzeuge stellen in den Händen von ungeschulten Benutzern eine Gefahr dar.
  - e) **Pflegen Sie Elektrowerkzeuge. Prüfen Sie auf Fehlausrichtung oder Blockierung beweglicher Teile, Brüche von Teilen sowie auf alle anderen Bedingungen, die den Betrieb des Elektrowerkzeugs beeinträchtigen können. Bei einer Beschädigung lassen Sie das Elektrowerkzeug vor dem weiteren Gebrauch reparieren.** Viele Unfälle werden durch schlecht gepflegte Elektrowerkzeuge verursacht.
  - f) **Halten Sie die Schneidwerkzeuge scharf und sauber.** Ordnungsgemäß gewartete Schneidwerkzeuge mit scharfen Schneidkanten verklemmen sich seltener und sind leichter zu kontrollieren.
  - g) **Verwenden Sie das Elektrowerkzeug, das Zubehör und die Bits usw. gemäß dieser Anleitung und unter Berücksichtigung der Bedingungen und der vorgesehenen Arbeiten.** Die Verwendung des Elektrowerkzeugs

für andere als die vorgesehenen Tätigkeiten kann zu einer gefährlichen Situation führen.

- 5) Verwendung und Pflege von Akkus**
- a) **Laden Sie den Akku nur mit dem vom Hersteller angegebenen Ladegerät auf.** Ein Ladegerät, das für einen Akkutyp geeignet ist, kann bei Verwendung mit einem anderen Akkutyp eine Brandgefahr darstellen.
  - b) **Verwenden Sie Elektrowerkzeuge nur mit den speziell dafür vorgesehenen Akkus.** Bei Verwendung anderer Akkus besteht Verletzungs- und Brandgefahr.
  - c) **Wenn der Akku nicht in Gebrauch ist, halten Sie ihn von anderen Metallgegenständen wie Büroklammern, Münzen, Schlüsseln, Nägeln, Schrauben oder anderen kleinen Metallobjekten fern, die einen Kontakt zwischen den Anschlüssen herstellen können.** Das Kurzschließen von Batterieanschlüssen kann zu Verbrennungen oder einem Brand führen.
  - d) **Unter missbräuchlichen Bedingungen kann Flüssigkeit aus dem Akku austreten; vermeiden Sie den Kontakt damit. Bei versehentlichem Kontakt gut mit Wasser abspülen. Wenn die Flüssigkeit in die Augen gelangt, suchen Sie zusätzlich einen Arzt auf.** Aus dem Akku austretende Flüssigkeit kann Reizungen von Verbrennungen verursachen.
- 6) Wartung**
- a) **Lassen Sie Ihr Elektrowerkzeug von einer qualifizierten Fachwerkstatt warten, die nur identische Ersatzteile verwendet.** So wird sichergestellt, dass die Sicherheit des Elektrowerkzeugs gewahrt bleibt.

#### **Elektrische Sicherheit:**

Es ist zu beachten, dass keine Flüssigkeiten direkt auf elektrische Geräte und Anlagen mit elektrischen Bauteilen gerichtet werden dürfen. Bei unsachgemäßer Verwendung oder Beschädigung der Akkus kann entzündliche Flüssigkeit aus den Akkus austreten. Kontakt mit dieser Flüssigkeit sollte vermieden werden. Bei versehentlichem Kontakt gut mit Wasser abspülen. Sollte die Flüssigkeit mit den Augen in Berührung kommen, suchen Sie zusätzlich einen Arzt auf.

- Öffnen Sie niemals den Drucksprüher oder schrauben Sie die Düse ab, wenn der Drucksprüher noch unter Druck steht. Schließen Sie den Drucksprüher niemals an einen Luftkompressor an, da sonst ein Verletzungsrisiko besteht.
- Halten Sie den Drucksprüher immer aufrecht, bevor Sie am Sicherheitsventil ziehen. Beim Versprühen von Insektiziden, Herbiziden und Fungiziden oder anderen flüssigen Pflanzenschutzmitteln sind alle spezifischen Vorsichtsmaßnahmen zu beachten, die der Hersteller des verwendeten Produkts vorschreibt.



*Bevor Sie den Tank des Drucksprühers öffnen, lassen Sie den Druck durch Ziehen des Sicherheitsventils vollständig ab.*

**GEFAHR! Kleinteile können leicht verschluckt werden. Außerdem besteht durch den Plastikbeutel Erstickungsgefahr für Kleinkinder. Halten Sie Kleinkinder fern, wenn Sie das Produkt zusammenbauen.**

#### Sicherheit während des Betriebs:

**VORSICHT:** Der Tank darf nur mit maximal 5 Litern Flüssigkeit gefüllt werden.

- Führen Sie vor jedem Gebrauch eine Sichtkontrolle des Drucksprühers durch.
- Lassen Sie den Drucksprüher niemals unbeaufsichtigt und lagern Sie ihn nicht über längere Zeiträume, wenn er voll ist und unter Druck steht.
- Halten Sie das Gerät von Kindern fern. Sie sind für die Sicherheit anderer mitverantwortlich.
- Halten Sie den Drucksprüher von Wärmequellen und heißen Umgebungen fern.
- Schrauben Sie den Pumpengriff von Hand fest (kein Werkzeug verwenden) und achten Sie auf den richtigen Sitz des O-Rings.
- Der Ein-/Ausschalter darf nur auf „I“ (Ein) gestellt werden, wenn der Pumpengriff auf den Behälter geschraubt ist.
- Laden Sie den Akku nur bei einer Umgebungstemperatur zwischen 0 °C und + 40 °C. Liegt die Temperatur des Akkus außerhalb des zulässigen Ladetemperaturbereichs, kann der Akku nicht geladen werden. Sobald der zulässige

Temperaturbereich erreicht ist, wird der Akku geladen.

#### Sicherheit bei der Reinigung:

- Lassen Sie nach jedem Gebrauch den Druck ab, leeren Sie den Behälter, reinigen Sie ihn sorgfältig und spülen Sie ihn mit klarem Wasser aus. Dann lassen Sie den Drucksprüher offen, damit er trocknen kann.
- Restflüssigkeiten nicht in die Kanalisation entsorgen (kommunale Entsorgungssysteme nutzen).
- Reinigen Sie den Drucksprüher immer, bevor Sie ein anderes Produkt verwenden, um chemische Reaktionen zu vermeiden.
- Bei der Verwendung mehrerer Drucksprüher dürfen die Behälter und Spritzdüsen nicht untereinander ausgetauscht werden.

#### Sicherheit bei der Aufbewahrung:

- Lockern Sie vor der Aufbewahrung den Tankdeckel und entleeren Sie den Drucksprüher immer vollständig (auch nach der Reinigung mit Wasser).
- Vor Frost geschützt lagern.
- Tragen Sie den Drucksprüher am Tragegurt oder am Griff.
- Schützen Sie das Produkt vor direkter Sonneneinstrahlung. Das Gerät kann sich erhitzen.

## 2. MASCHINENDATEN

#### Verwendungszweck

Der Drucksprüher ist für das Ausbringen von lösungsmittelfreien Flüssigkeiten, wie z. B. Pestiziden<sup>1</sup>, Herbiziden<sup>1</sup>, Düngemitteln<sup>1</sup> und Fensterreinigern<sup>1</sup> in Haus- und Kleingärten vorgesehen.

Er darf nicht auf öffentlichen Plätzen, in Parks, Sportarenen oder in der Land- und Forstwirtschaft verwendet werden. Die Einhaltung der Spezifikationen in dieser Betriebsanleitung ist Voraussetzung für den ordnungsgemäßen Gebrauch des Drucksprühers.



**Warnung**

1. Verwenden Sie für brennbare Materialien keine Sprühpistolen.
2. Seien Sie sich der Gefahren bewusst, die von dem zu versprühenden Material ausgehen, und beachten Sie die Kennzeichnungen auf dem Behälter oder die Informationen des Herstellers des zu versprühenden Materials.
3. Versprühen Sie kein Material, dessen Gefährlichkeit nicht bekannt ist.
4. Reinigen Sie Sprühpistolen nicht mit brennbaren Lösungsmitteln.

<sup>1</sup> Nach den Gesetzen zum Pflanzenschutz sowie zu Wasch- und Reinigungsmitteln dürfen nur zugelassene Mittel verwendet werden (erhältlich im autorisierten Fachhandel).

**TECHNISCHE DATEN**

<b>Modellnr.</b>	<b>PSM1044</b>
Max. Kapazität	5L
Spannung	4V
USB-Anschluss	Typ C
Sprührohrlänge (einschließlich Sprühgriff)	15-50CM
Betriebsdauer	2 Stunden
Ladedauer	2 Stunden
Druckausgabe	0,3 l/min
Maximale Betriebstemperatur des Wassers	60 °C
Schalldruck (Lpa)	52,8 + 3 dB(A)
Schalleistung (Lwa)	63,8 + 3 dB(A)
Vibration	0,205 + 1,5 m/s <sup>2</sup>

**Schwingungsniveau**

Der angegebene Schwingungsgesamtwert wurde nach einem Standardprüfverfahren gemäß EN 60745-1 & EN50580 gemessen und kann zum Vergleich eines Werkzeugs mit anderen verwendet werden;

Der angegebene Schwingungsgesamtwert kann auch für eine vorläufige Beurteilung der Exposition verwendet werden.

- Die Schwingungsemission bei der tatsächlichen Verwendung des Elektrowerkzeugs kann je nach Art der Verwendung des Werkzeugs vom angegebenen Gesamtwert abweichen.
- Es ist notwendig, Sicherheitsmaßnahmen zum Schutz des Bedieners zu ermitteln, die auf einer Einschätzung der Exposition unter den tatsächlichen Einsatzbedingungen beruhen

(dabei sind alle Teile des Betriebszyklus zu berücksichtigen, z. B. die Zeiten, in denen das Werkzeug ausgeschaltet ist und in denen es im Leerlauf läuft, zusätzlich zur Auslösezeit).

**BESCHREIBUNG**

Die Zahlen im Text beziehen sich auf die Abbildungen auf den Seiten 2-4.

1. Sprühgerät
2. Mutter zum Schließen der Düse
3. Kurze Düse
4. Verlängerung für lange Düse
5. Schlauch
6. Tank
7. Tankgriff
8. Tankring
9. Sicherheitsventil
10. Tragegurt
11. Ladekabel (mitgeliefert)
12. Ladestandsanzeigeleuchte
13. Ein-/Ausschalter
14. Schlauchfilter
15. Akku-Anzeigelicht
16. Düsenaufbewahrung
17. Flüssigkeitsstandsanzeige

**3. MONTAGE**

**Düsen  
Abb. B**

Vor dem ersten Gebrauch ist die kurze Düse (3) am Sprühgerät (1) montiert.

- Entfernen Sie die Mutter zum Schließen der Düse (2).
- Entfernen Sie die kurze (3) bzw. die lange Düse (4) und bringen Sie Verlängerung für lange Düse an.
- Setzen Sie die Mutter zum Schließen der Düse (2) wieder auf und ziehen Sie sie von Hand fest.



*Prüfen Sie, ob der Schlauch (5) noch gut mit dem Sprühgerät (1) und dem Tankring (8) verbunden ist, ggf. die Muttern von Hand nachziehen.*

**Tragegurt**

- Befestigen Sie den Tragegurt am Tank.

## 4. BETRIEB

### Aufladen des Sprühgeräts

#### Abb. C

Stecken Sie das Ladekabel (mitgeliefert) in ein Netzteil (nicht mitgeliefert).

- Stecken Sie das Ladekabel (11) in das Sprühgerät.
- Stecken Sie den Stecker des Ladegeräts in eine Steckdose. Nach ein paar Sekunden leuchtet die Anzeileuchte des Ladegeräts (12) auf und zeigt den Ladestatus an.

Das vollständige Aufladen des Akkus kann bis zu 2 Stunden dauern.

### Überprüfen des Akkuladestatus

#### Abb. D

Die Anzeileuchte des Akkus (15) zeigt den verbleibenden Akkustand an, wenn der Ein-/Ausschalter (13) gedrückt wird.

Die Anzeileuchte des Akkus (15) hat zwei Leuchten, die den verbleibenden Ladestand anzeigen. Je mehr Leuchten brennen, desto mehr Kapazität hat der Akku noch.

Wenn nur eine Leuchte an ist, bedeutet das, dass der Akku fast leer ist und aufgeladen werden sollte.

### Versprühen von Flüssigkeit

#### Abb. E

**Hinweis:** Bitte beachten Sie die Sicherheits- und Dosierungshinweise des Herstellers des zu versprühenden Produkts.

1. Ziehen Sie am Sicherheitsventil (9). Siehe Abb. E1.
2. Schrauben Sie den Tankgriff (7) ab und füllen Sie den Tank (6). Siehe Abb. E2.  
\*Falls erforderlich, zusätzliche Flüssigkeit hinzufügen.
3. Schrauben Sie den Tankgriff (7) wieder auf den Tank (6).



Prüfen Sie, ob der Schlauch (5) noch gut mit dem Sprühgerät (1) und dem Tankring (8) verbunden ist, ggf. die Muttern von Hand nachziehen.

4. Halten Sie zum Sprühen den Ein-/Ausschalter (13) des Sprühgeräts gedrückt.
5. Zum Beenden des Sprühvorgangs lassen Sie den Knopf am Sprühgerät los.

### Einstellen des Sprühstrahls an der Düsenspitze

#### Abb. E4

Das Wasser kann aus der Düse (3+4) entweder als Strahl oder in Fächerform gesprüht werden. Schalten Sie zuerst das Sprühgerät ein und stellen Sie dann die Düsenspitze durch Drehen im bzw. gegen den Uhrzeigersinn ein. Siehe Abb. E4.

### Flüssigkeitsstandsanzeige (17)

Der Tank (6) ist mit einer transparenten Linie versehen, die den Flüssigkeitsstand darin anzeigt. Der Tank besitzt eine Einteilung in Litern und kann auch als Messbecher verwendet werden.

## 5. WARTUNG

### Reinigung

Der Drucksprüher muss nach dem Sprühen immer gereinigt werden. Verwenden Sie den Drucksprüher nur mit klarem Wasser (eventuell mit Zusatz von Spülmittel) und sprühen Sie ihn leer. Dadurch werden die Ventile, das Sprühgerät (1), die Düsen (3+4), der Schlauch (5) und der Schlauchfilter (14) im Inneren des Tanks gereinigt.

Ziehen Sie am Sicherheitsventil (9), um zu überprüfen, dass es nicht verstopft ist und sich reibungslos bewegt.

### Aufbewahrung

#### Abb. F1, F2

- Setzen Sie das Sprühgerät auf die Halterung, die sich auf dem Tankring befindet. Siehe Abb. F1.
- Die nicht am Sprühgerät befestigte Düse kann an der Düsenaufbewahrung (16) angebracht werden, wie in Abb. F2 dargestellt.



Lagern Sie den Drucksprüher an einem frostfreien Ort.

## 6. FEHLERBEHEBUNG

### Reinigen des Schlauchfilters:

Schrauben Sie den Tankgriff ab und entfernen Sie den Schlauch aus dem Inneren des Tanks. Reinigen Sie den Filter. Stecken Sie den Filter nach der Reinigung wieder auf den Tankschlauch und auf den Schlauch im Tank.

### Es ist Flüssigkeit im Tank, aber das Gerät versprüht sie nicht.

- Prüfen, ob das Sprühgerät vollständig aufgeladen ist.
- Prüfen, ob alle Schläuche (auch im Inneren des Tanks) richtig angeschlossen sind; schließen Sie sie ggf. neu an und ziehen Sie die jeweiligen Muttern fest.
- Entlasten Sie den Druck durch Ziehen am Sicherheitsventil.

## UMWELT

Um Transportschäden zu verhindern, wird die Maschine in einer soliden Verpackung geliefert. Die Verpackung besteht weitgehend aus verwertbarem Material. Benutzen Sie also die Möglichkeit zum Recyceln der Verpackung.



*Das Symbol der durchgestrichenen Abfalltonne auf Rädern bedeutet, dass dieses Produkt nicht über den normalen Hausmüll entsorgt werden darf. Elektro- und Elektronikgeräten, die nicht in den selektiven Sortierprozess einbezogen werden, sind aufgrund des Vorhandenseins gefährlicher Stoffe potenziell gefährlich für die Umwelt und die menschliche Gesundheit. Bitte entsorgen Sie sie verantwortungsbewusst bei einer zugelassenen Abfall- oder Recyclinganlage.*

### Nur für EG-Länder

Entsorgen Sie Elektrowerkzeuge nicht über den Hausmüll. Entsprechend der EU-Richtlinie 2012/19/EU über Elektro- und Elektronik-Altgeräte sowie der Umsetzung in nationales Recht müssen Elektrowerkzeuge, die nicht mehr im Gebrauch sind, getrennt gesammelt und umweltschonend entsorgt werden.

## GARANTIE

FERM-Produkte werden nach den höchsten Qualitätsstandards entwickelt und sind für den gesetzlich festgelegten Zeitraum ab dem Datum des ursprünglichen Kaufs garantiert frei von Material- und Verarbeitungsfehlern. Sollte das Produkt während dieses Zeitraums aufgrund von Material- und/oder Verarbeitungsfehlern ausfallen, wenden Sie sich bitte direkt an Ihren FERM-Händler.

Folgende Umstände sind aus der Garantie ausgeschlossen:

- An dem Produkt wurden von nicht autorisierten Servicestellen Reparaturen und/oder Änderungen vorgenommen.
- Normaler Verschleiß.
- Das Produkt wurde missbräuchlich oder falsch verwendet oder unsachgemäß gewartet.
- Es wurden keine Originalersatzteile verwendet

Dies ist die einzige ausdrückliche oder stillschweigende Garantie, die das Unternehmen übernimmt. Es gibt keine weiteren ausdrücklichen oder stillschweigenden Garantien, die über die hierin enthaltenen Angaben hinausgehen, einschließlich der stillschweigenden Garantien der Gebrauchstauglichkeit und Eignung für einen bestimmten Zweck. FERM haftet in keinem Fall für zufällige Schäden oder Folgeschäden. Die Rechtsmittel des Händlers beschränken sich auf die Reparatur oder den Austausch der nicht konformen Geräte oder Teile.

**Das Produkt und die Bedienungsanleitung können Änderungen unterliegen. Technische Daten können ohne vorherige Ankündigung geändert werden.**

## OPRYSKIWACZ CIŚNIENIOWY 5 l - 4 V PSM1044

### Dziękujemy za zakup tego produktu FERM.

Nabyliście Państwo doskonały produkt, dostarczany przez jednego z wiodących dostawców w Europie. Wszystkie produkty dostarczane Państwu przez Ferm są wytwarzane zgodnie z najwyższymi standardami wydajności i bezpieczeństwa. W ramach naszej filozofii zapewniamy również doskonałą obsługę klienta, wspartą wszechstronną gwarancją. Mamy nadzieję, że będziecie Państwo z przyjemnością korzystali z tego produktu przez wiele lat.

## 1. INSTRUKCJE DOTYCZĄCE BEZPIECZEŃSTWA



**Przeczytać dołączone ostrzeżenia dotyczące bezpieczeństwa, dodatkowe ostrzeżenia dotyczące bezpieczeństwa oraz instrukcję.** Nieprzestrzeganie ostrzeżeń dotyczących bezpieczeństwa oraz instrukcji może prowadzić do porażenia prądem, pożaru i/lub poważnych obrażeń ciała.

**Zachować ostrzeżenia dotyczące bezpieczeństwa oraz instrukcje na przyszłość.**

Następujące symbole są umieszczone w instrukcji obsługi lub na produkcie:



Oznacza ryzyko obrażeń ciała, śmierci lub uszkodzenia narzędzia w razie nieprzestrzegania poleceń z instrukcji.



Oznacza ryzyko porażenia prądem.



Nosić maskę przeciwpyłową.



Nosić okulary ochronne.



Chronić urządzenie przed zamarzaniem.



Nie wrzucać akumulatora do ognia



Nie wrzucać akumulatora do wody



Nie wyrzucać produktu do nieodpowiednich pojemników.



Zbiórka selektywna akumulatora litowo-jonowego.



Produkt spełnia wymogi odpowiednich norm bezpieczeństwa podanych w dyrektywach UE.

## OGÓLNE OSTRZEŻENIA DOTYCZĄCE BEZPIECZEŃSTWA ELEKTRONARZĘDZI



### OSTRZEŻENIE!

**Przeczytać wszystkie ostrzeżenia dotyczące bezpieczeństwa, ilustracje oraz dane techniczne dołączone do tego elektronarzędzia.** Nieprzestrzeganie wszystkich instrukcji podanych poniżej może prowadzić do porażenia prądem, pożaru i/lub poważnych obrażeń ciała.

**Zachować ostrzeżenia oraz instrukcje na przyszłość.**

Określenie „elektronarzędzie” w ostrzeżeniach odnosi się do elektronarzędzia zasilanego z sieci (przewodowego) lub elektronarzędzia zasilanego z akumulatora (beprzewodowego).

### 1) Bezpieczeństwo miejsca pracy

- Utrzymywać miejsce pracy w czystości i dobrze oświetlone.** Bałagan i ciemności w miejscu pracy prowadzą do wypadków.
- Nie używać elektronarzędzi w atmosferze wybuchowej, np. w obecności łatwopalnych cieczy, gazów lub pyłu.** Elektronarzędzia wytwarzają iskry, które mogą spowodować zapłon pyłu lub oparów.
- Podczas korzystania z elektronarzędzia nie pozwalać zbliżyć się dzieciom i osobom postronnym.** Odwrócenie uwagi może spowodować utratę panowania nad narzędziem.



## 2) Bezpieczeństwo elektryczne

- a) **Wtyczka elektronarzędzia musi pasować do gniazdka. Nigdy w żaden sposób nie modyfikować wtyczki. Nie używać żadnych przejściówek do wtyczek w połączeniu z uziemionymi elektronarzędziami. Niemodyfikowane wtyczki i pasujące do nich gniazdko zmniejszają ryzyko porażenia prądem.**
- b) **Unikać dotykania uziemionych powierzchni, jak rury, grzejniki, kuchenki i lodówki. Jeśli ciało jest uziemione, ryzyko porażenia prądem jest zwiększone.**
- c) **Nie narażać elektronarzędzi na deszcz, wodę lub wilgoć. Przedostanie się wody do wnętrza elektronarzędzia zwiększy ryzyko porażenia prądem.**
- d) **Ostrożnie obchodzić się z kablem. Nigdy nie używać kabla do przenoszenia, ciągnięcia lub odłączania elektronarzędzia od gniazdka. Trzymać kabel z dala od gorąca, oleju, ostrych krawędzi i ruchomych części. Uszkodzone lub splątane kable zwiększają ryzyko porażenia prądem.**
- e) **Podczas użytkowania elektronarzędzia na wolnym powietrzu używać przedłużacza przeznaczonego do użytku na wolnym powietrzu. Używanie przedłużacza przeznaczonego do użytku na wolnym powietrzu zmniejsza ryzyko porażenia prądem.**
- f) **Jeśli obsługa elektronarzędzia w wilgotnym miejscu jest nieunikniona, użyć zasilania wyposażonego w wyłącznik różnicowoprądowy. Użycie wyłącznika różnicowoprądowego zmniejsza ryzyko porażenia prądem. UWAGA: Określenie „wyłącznik różnicowoprądowy (RCD)” można zastąpić określeniem „wyłącznik przeciwporażeniowy” (GFCI) lub „bezpiecznik różnicowoprądowy” (ELCB)**

## 3) Bezpieczeństwo osobiste

- a) **Zachować czujność, uważać na to, co się robi, a także stosować zdrowy rozsądek podczas korzystania z elektronarzędzia. Nie używać narzędzia, gdy jest się zmęczonym lub pod wpływem leków, alkoholu albo środków odurzających. Chwila nieuwagi podczas obsługi elektronarzędzia może prowadzić do poważnych obrażeń ciała.**
- b) **Stosować środki ochrony osobistej. Zawsze nosić okulary ochronne. Wyposażenie ochronne, jak maska przeciwpyłowa,**

*antypoślizgowe bezpieczne obuwie, kask lub ochronniki słuchu, używane w odpowiednich warunkach ogranicza występowanie obrażeń ciała.*

- c) **Unikać niezamierzonego uruchomienia. Dopilnować, aby włącznik znajdował się w położeniu wyłączonym przed podłączeniem elektronarzędzia do źródła zasilania i/lub akumulatora, jego podniesieniem lub przeniesieniem. Przenoszenie elektronarzędzi z palcem na włączniku lub podłączenie do zasilania elektronarzędzi z włącznikiem w położeniu włączenia jest bardzo niebezpieczne i może powodować wypadki.**
- d) **Usunąć wszelkie klucze lub inne narzędzia do regulacji przed włączeniem elektronarzędzia. Klucz lub inne narzędzie pozostawione podłączone do obracającej się części narzędzia może prowadzić do obrażeń ciała.**
- e) **Nie sięgać za daleko. Zawsze utrzymywać właściwe podparcie dla stóp i równowagę. Pozwala to na lepsze panowanie nad elektronarzędziem w nieoczekiwanych sytuacjach.**
- f) **Nosić odpowiednią odzież. Nie nosić luźnych ubrań ani biżuterii. Nie zbliżać włosów, odzieży i rękawic do ruchomych części. Luźna odzież, biżuteria lub długie włosy mogą zostać pochwycone przez ruchome części.**
- g) **Jeśli urządzenie jest wyposażone w złącze do podłączania do urządzeń do gromadzenia i odsysania pyłu, koniecznie je podłączyć i używać ich prawidłowo. Gromadzenie pyłu pozwala na ograniczanie zagrożeń związanych z pyłem.**

## 4) Użytkowanie i pielęgnacja elektronarzędzia

- a) **Nie przeciążać elektronarzędzia. Używać narzędzia przystosowanego do określonego zastosowania. Właściwe elektronarzędzie wykona pracę lepiej i bezpieczniej z szybkością, do jakiej jest przeznaczony.**
- b) **Nie używać elektronarzędzia, jeśli jego włącznik nie pozwala na jego włączenie i wyłączanie. Elektronarzędzie, którego nie można włączać i wyłączać włącznikiem jest niebezpieczne i musi zostać naprawione.**
- c) **Odłączyć wtyczkę od źródła zasilania i/lub odłączyć akumulator od elektronarzędzia przed rozpoczęciem przeprowadzania jakichkolwiek regulacji, wymianą akcesoriów**

lub rozpoczęciem przechowywania elektronarzędzia. Takie środki zapobiegawcze ograniczają ryzyko przypadkowego uruchomienia elektronarzędzia.

- d) Przechowywać nieużywane elektronarzędzia w miejscu niedostępnym dla dzieci i nie pozwalać osobom niezaznajomionym z elektronarzędziem lub tą instrukcją na obsługę elektronarzędzia. Elektronarzędzia są niebezpieczne w rękach nieprzeszkolonych użytkowników.
- e) Prawidłowo konserwować elektronarzędzia. Sprawdzać elektronarzędzie pod kątem niedopasowania lub utykania części ruchomych, pęknięcia części lub innych okoliczności, które mogą negatywnie wpływać na jego działanie. W razie uszkodzenia oddać elektronarzędzie do naprawy przed ponownym użyciem. Wiele wypadków jest spowodowanych słabo konserwowanymi elektronarzędziami.
- f) Utrzymywać narzędzia tnące naostrzone i czyste. Właściwie konserwowane narzędzia tnące z ostrymi krawędziami tnącymi są mniej narażone na utykanie i łatwiej nad nimi zapanaować.
- g) Używać elektronarzędzia, akcesoriów i końcówek narzędziowych itp. zgodnie z tą instrukcją, uwzględniając warunki pracy i zadanie do wykonania. Wykorzystanie elektronarzędzia do zadań niezgodnych z jego przeznaczeniem może prowadzić do niebezpieczeństwa.
- 5) Użytkowanie i pielęgnacja akumulatora
- a) Ładować tylko ładowarką podaną przez producenta. Ładowarka odpowiednia dla jednego rodzaju akumulatora może powodować ryzyko pożaru, jeśli zostanie użyta z innym rodzajem akumulatora.
- b) Używać elektronarzędzia jedynie w połączeniu z wyznaczonymi akumulatorami. Użycie innych akumulatorów może powodować ryzyko obrażeń ciała i pożaru.
- c) Kiedy akumulator nie jest używany, należy trzymać go z dala od innych metalowych przedmiotów, takich jak spinacze, monety, klucze, gwoździe, śruby lub inne małe metalowe przedmioty, które mogą spowodować zwarcie styków akumulatora. Zwarcie

styków akumulatora może powodować poparzenia lub pożar.

- d) W przypadku silnego uderzenia z akumulatora może wypłynąć płyn. Unikać styczności. W razie przypadkowej styczności niezwłocznie przepłukać miejsce styczności wodą. Jeśli dojdzie do styczności płynu z akumulatora z oczami, natychmiast uzyskać pomoc lekarską. Płyn z akumulatora może powodować podrażnienia lub poparzenia.

#### 6) Serwis

- a) Zlecać serwisowanie elektronarzędzia wykwalifikowanemu technikowi stosującemu jedynie części zamienne identyczne z oryginalnymi. Zapewni to zachowanie bezpieczeństwa elektronarzędzia.

#### Bezpieczeństwo elektryczne:

Nie wolno kierować żadnej cieczy bezpośrednio na żadne urządzenia elektryczne ani urządzenia zawierające części elektryczne. W przypadku nieprawidłowej obsługi lub uszkodzenia akumulatorów, z akumulatorów może wydostać się łatwopalna ciecz. Należy unikać styczności z tą cieczą. W razie przypadkowej styczności niezwłocznie przepłukać miejsce styczności wodą. Jeśli ciecz dostanie się do oczu, dodatkowo uzyskać pomoc lekarską.

- Nigdy nie otwierać opryskiwacza ciśnieniowego ani nie odkręcać dyszy, gdy opryskiwacz nadal znajduje się pod ciśnieniem. Aby zapobiegać obrażeniom ciała, nigdy nie podłączać opryskiwacza ciśnieniowego do sprężarki powietrza.
- Zawsze trzymać opryskiwacz ciśnieniowy pionowo przed pociągnięciem zwalniającego zaworu bezpieczeństwa. Podczas rozpylania środków owadobójczych, chwastobójczych, grzybobójczych i innych płynnych środków ochrony roślin należy przestrzegać wszystkich szczególnych środków ostrożności wyznaczonych przez producenta używanego środka.



Przed otwarciem zbiornika opryskiwacza ciśnieniowego, całkowicie zwolnić ciśnienie, pociągając za zwalniający zawór bezpieczeństwa.

**NIEBEZPIECZEŃSTWO! Może dojść do łatwego połknięcia małych części. Istnieje ryzyko uduszenia się małych dzieci workiem z tworzywa sztucznego. Podczas montażu produktu nie pozwalaj, by małe dzieci się do niego zbliżyły.**

#### Bezpieczeństwo eksploatacji:

**PRZESTROGA:** Zbiornik można wypełnić maksymalnie 5 litrami cieczy.

- Sprawdzić opryskiwacz ciśnieniowy przed każdym użyciem.
- Nigdy nie pozostawiać opryskiwacza ciśnieniowego bez nadzoru i nie przechowywać go przez długi okres, gdy jest napełniony i pod ciśnieniem.
- Przechowywać urządzenie w miejscu niedostępnym dla dzieci. Ponosisz odpowiedzialność za bezpieczeństwo innych osób.
- Przechowywać opryskiwacz ciśnieniowy z dala od źródeł ciepła i gorących miejsc.
- Nakręcić uchwyt pompy mocno ręką (nie używać narzędzi) i dopilnować, aby pierścień uszczelniający był prawidłowo umieszczony.
- Włącznik można przestawić w położenie włączone „I”, tylko wtedy, gdy uchwyt pompy jest nakręcony na zbiornik.
- Ładować akumulator wyłącznie w temperaturze otoczenia od 0°C do + 40°C. Jeśli temperatura akumulatora znajduje się poza zakresem dopuszczalnej temperatury ładowania, ładowanie akumulatora jest niemożliwe. Po osiągnięciu dopuszczalnego zakresu temperatury rozpocznie się ładowanie akumulatora.

#### Bezpieczeństwo podczas czyszczenia:

- Zwalniać ciśnienie po każdym użyciu, opróżnić zbiornik, dokładnie go oczyścić i wypłukiwać czystą wodą. Następnie pozostawić opryskiwacz otwarty i poczekać, aż wyschnie.
- Nie usuwać resztek płynów do kanalizacji (lokalnej).
- Zawsze myć opryskiwacz przed użyciem innego produktu w celu uniknięcia reakcji chemicznych.
- W przypadku korzystania z wielu opryskiwaczy ciśnieniowych nie można wymieniać

zbiorników i dysz opryskowych między opryskiwaczami.

#### Bezpieczeństwo podczas przechowywania:

- Przed rozpoczęciem przechowywania poluzować korek zbiornika i zawsze opróżnić całkowicie opryskiwacz (również po umyciu czystą wodą).
- Chronić w miejscu, w którym temperatura nie spada poniżej zera.
- Przenosić opryskiwacz za pasek do przenoszenia lub uchwyt.
- Chronić produkt przed bezpośrednim nasłonecznieniem. Produkt może się rozgrzać.

## 2. INFORMACJE O URZĄDZENIU

#### Przeznaczenie

Opryskiwacz ciśnieniowy jest przeznaczony do rozpylania cieczy niezawierających rozpuszczalników, np.: środków owadobójczych<sup>1</sup>, chwastobójczych<sup>1</sup>, nawozów<sup>1</sup> i środków do czyszczenia szyb<sup>1</sup> w ogrodach przydomowych i na działkach.

Nie wolno używać go w miejscach publicznych, parkach, boiskach sportowych, w rolnictwie i w leśnictwie. Prawidłowe użytkowanie opryskiwacza ciśnieniowego wymaga przestrzegania treści niniejszej instrukcji obsługi.



#### Ostrzeżenie

1. Nie używać opryskiwaczy do rozpylania materiałów łatwopalnych.
2. Zwracać uwagę na zagrożenia związane z rozpylanymi materiałami i zapoznać się z instrukcją oraz oznaczeniami na zbiorniku środka lub informacjami dostarczonymi przez producenta materiału do rozpylenia.
3. Nie rozpylać żadnych materiałów, jeśli zagrożenia związane z jego użytkowaniem nie są znane.
4. Nie czyścić opryskiwaczy łatwopalnymi rozpuszczalnikami.

<sup>1</sup> Zgodnie z odpowiednimi przepisami dotyczącymi środków ochrony roślin oraz

detergentów i środków czyszczących, stosować można wyłącznie zatwierdzone środki (zakupione w punktach sprzedaży posiadających odpowiednie uprawnienia),

#### DANE TECHNICZNE

Nr modelu	PSM1044	Maks. pojemność	5 l
Napięcie			4 V
Złącze USB		Typu C	
Długość rury opryskiwacza (wraz z uchwytem)			15-50 CM
Czas pracy			2 godziny
Czas ładowania			2 godziny
Wydajność			0,3 l/min
Maks. temperatura robocza wody			60°C
Ciśnienie akustyczne (Lpa)			52,8 + 3 dB(A)
Moc akustyczna (Lwa)			63,8 + 3 dB(A)
Drgania			0,205 + 1,5 m/s <sup>2</sup>

#### Poziom drgań

Zadeklarowana całkowita wartość drgań została zmierzona zgodnie ze znormalizowaną metodą testową wg norm EN 60745-1 i EN50580 i może być stosowana do porównywania narzędzi; Zadeklarowana całkowita wartość drgań może być również stosowana do wstępnej oceny ekspozycji.

- Drgania podczas rzeczywistego użytkowania elektronarzędzia może różnić się od zadeklarowanej wartości całkowitej w zależności od sposobu użytkowania narzędzia.
- Jest określenie środków ochrony operatora w oparciu o szacowane narażenie w rzeczywistych warunkach użytkowania (z uwzględnieniem wszystkich części cyklu pracy, np. czasu, kiedy narzędzie jest wyłączone oraz gdy pracuje na biegu jałowym, poza samym czasem jego włączenia).

#### OPIS

Liczby w tekście odnoszą się do rysunków na stronach 2-4.

1. Opryskiwacz
2. Nakrętka zamykająca dyszy
3. Krótka dysza
4. Przedłużenie długiej dyszy
5. Wąż
6. Zbiornik
7. Uchwyt zbiornika
8. Piersień zbiornika

9. Zawór zwalniający
10. Pasek do przenoszenia
11. Kabel do ładowania (dołączony)
12. Kontrolka ładowania
13. Włącznik
14. Filtr węża
15. Kontrolka akumulatora
16. Schowek na dysze
17. Wskaźnik poziomu cieczy

### 3. MONTAŻ

#### Dysze

##### Rys. B

W celu pierwszego użycia krótka dysza (3) jest zamontowana na opryskiwaczu (1)

- Odkręcić nakrętkę zamykającą dyszy (2)
- Usunąć dyszę i zamontować krótką (3) lub przedłużenie długiej dyszy (4).
- Założyć nakrętkę zamykającą dyszy (2) i dokręcić ją ręką.



*Sprawdzić, czy wąż (5) jest nadal dobrze podłączony do opryskiwacza (1) i do pierścienia zbiornika (8). W razie potrzeby dokręcić nakrętkę ręcznie.*

#### Pasek do przenoszenia

- Przymocować pasek do przenoszenia do zbiornika.

### 4. OBSŁUGA

#### Ładowanie opryskiwacza

##### Rys. C

Podłączyć kabel ładowania (dołączony) do zasilacza (nie dołączony).

- Podłączyć kabel ładowania (11) do opryskiwacza.
- Podłączyć wtyczkę ładowarki do gniazdka elektrycznego. Po kilku sekundach kontrolka ładowania (12) zacznie świecić i wskazywać stan ładowania.

Pełne naładowanie akumulatora może trwać do 2 godzin.

### Sprawdzanie stanu akumulatora

#### Rys. D

Kontrolka akumulatora (15) pokazuje pozostały poziom naładowania akumulatora, gdy włącznik (13) jest wciśnięty.

Kontrolka akumulatora (15) jest wyposażona w dwie diody informujące o pozostałym poziomie naładowania. Im więcej diod świeci, tym wyższy jest poziom naładowania akumulatora.

Kiedy świeci jedna dioda, oznacza to, że akumulator jest bliski rozładowania i należy go naładować.

### Aby rozpylać ciecz

#### Rys. E

**Uwaga:** Przestrzegać instrukcji bezpieczeństwa i rozcieńczania dostarczonych przez producenta środka, który ma być rozpylony.

1. Pociągnąć za zwalniający zawór bezpieczeństwa (9). Patrz rys. E1
2. Odkręcić uchwyt zbiornika (7) i napełnić zbiornik (6). Patrz rys. E2.  
\* W razie potrzeby dolać cieczy.
3. Nakręcić uchwyt zbiornika (7) z powrotem na zbiornik (6).



*Sprawdzić, czy wąż (5) jest nadal dobrze podłączony do opryskiwacza (1) i do pierścienia zbiornika (8). W razie potrzeby dokręcić nakrętki ręcznie.*

4. Wcisnąć i przytrzymać włącznik (13) na opryskiwaczu, aby rozpylać ciecz.
5. Po zakończeniu rozpylania zwolnić przycisk włącznika na opryskiwaczu, aby przestał pracować.

### Regulować kształt rozpylanego strumienia za pomocą końcówki dyszy

#### Rys. E4

Woda może tryskać z dyszy (3+4) prostym strumieniem lub strumieniem o kształcie wachlarza. Najpierw włączyć opryskiwacz, a następnie wyregulować końcówkę dyszy, obracając ją zgodnie ze wskazówkami zegara i w przeciwnym kierunku. Zgodnie z rys. E4.

### Wskaźnik poziomu cieczy (17)

Zbiornik (6) jest wyposażony w przezroczystą część wskazującą poziom cieczy w zbiorniku. Można również używać wskaźnika do odmierzenia objętości w litrach.

## 5. KONSERWACJA

### Czyszczenie

Zawsze myć opryskiwacz po zakończeniu rozpylania. Płukać opryskiwacz tylko czystą wodą (ewentualnie z dodatkiem detergentu do mycia naczyń) i całkowicie ją usunąć z opryskiwacza poprzez opryskiwanie. Spowoduje to oczyszczenie zaworów, opryskiwacza (1), dyszy (3+4), węża (5) i filtra węża (14) wewnątrz zbiornika.

Pociągnąć za zwalniający zawór bezpieczeństwa (9), aby sprawdzić, czy nie występują żadne zatory i pracuje bez przeszkód.

### Przechowywanie

#### Rys. F1, F2

- Ustawić opryskiwacz na uchwycie postawionym na pierścieniu zbiornika. Zgodnie z rys. F1
- Dysze niepodłączone do opryskiwacza można przechowywać w schowku na dysze (16) zgodnie z rys. F2.



*Przechowywać opryskiwacz ciśnieniowy w miejscu, w którym nie występuje temperatura poniżej zera.*

## 6. ROZWIĄZYWANIE PROBLÉMÓW

### Aby oczyścić filtr węża:

Odkręcić uchwyt zbiornika i wyjąć wąż z wnętrza zbiornika. Oczyszczyć filtr. Po oczyszczeniu umieścić filtr z powrotem na wężu zbiornika i włożyć wąż do zbiornika.

### W zbiorniku znajduje się ciecz, ale opryskiwacz nie rozpyla cieczy.

- Sprawdzić, czy opryskiwacz jest całkowicie naładowany.

- Sprawdzić, czy wszystkie węże (również wewnątrz zbiornika) są właściwie podłączone. W razie potrzeby ponownie podłączyć i dokręcić wymagane nakrętki.
- Zwolnić ciśnienie, pociągając za zawór zwalnający.

## OCHRONA ŚRODOWISKA

Aby zapobiec uszkodzeniom podczas transportu, urządzenie jest dostarczane w wytrzymałym opakowaniu, składającym się głównie z materiałów nadających się do ponownego użycia.



*Symbol przekreślonego kołowego kontenera na odpady oznacza, że tego produktu nie można wyrzucać wraz z innymi odpadami gospodarstwa domowego. Ze względu na obecność niebezpiecznych substancji, mieszanin lub części składowych urządzenia elektryczne i elektroniczne, niepodlegające procesowi selektywnego sortowania są potencjalnie niebezpieczne dla środowiska i zdrowia ludzi. Produkt należy zutylizować w sposób odpowiedzialny w zatwierdzonym zakładzie utylizacji odpadów lub recyklingu.*

### Tylko kraje WE

Nie wyrzucać elektronarzędzi wraz z odpadami z gospodarstw domowych. Zgodnie z dyrektywą 2012/19/EU dotyczącą zużytych urządzeń elektrycznych i elektronicznych oraz jej wdrożeniem do prawodawstwa krajowego, elektronarzędzia, które już nie nadają się do użytku, podlegają oddzielnej zbiórce oraz utylizacji w sposób przyjazny dla środowiska.

## GWARANCJA

Produkty FERM są wytwarzane zgodnie z najwyższymi standardami jakości i producent udziela gwarancji na wady materiałowe i wady wykonania na okres wymagany prawem, licząc od dnia zakupu. Jeśli wystąpi usterka produktu w tym okresie spowodowana wadą materiałową

i/lub wadą wykonania, proszę bezpośrednio skontaktować się ze sprzedawcą FERM.

Następujące okoliczności powodują unieważnienie gwarancji:

- Przeprowadzono naprawy lub modyfikacje narzędzia w serwisie innym lub autoryzowany lub podjęto ich próbę.
- Normalne zużycie.
- Narzędzie było używane niezgodnie z przeznaczeniem, źle z nim się obchodzono lub było nieprawidłowo konserwowane.
- Użyto części zamiennych innych niż oryginalne.

Niniejsza gwarancja to wyłączna gwarancja producenta i nie obowiązują żadne inne wyrażone ani dorozumiane gwarancje. Nie obowiązują żadne inne wyrażone ani dorozumiane gwarancje o zakresie przekraczającym niniejszą gwarancję, co obejmuje dorozumiane gwarancje przydatności do sprzedaży i przydatności do określonego celu. W żadnym przypadku firma FERM nie ponosi odpowiedzialności za straty przypadkowe lub wynikowe. Zadośćuczynienie sprzedawcy jest ograniczone do naprawy lub wymiany niezgodnych urządzeń lub części.

**Produkt i instrukcja obsługi podlegają zmianom. Dane techniczne podlegają zmianom bez uprzedzenia.**

## TLAKOVÝ POSTŘIKOVAČ 5 L – 4V PSM1044

Děkujeme vám za zakoupení tohoto výrobku značky FERM.

Získáváte vynikající výrobek dodávaný jedním z předních evropských dodavatelů. Všechny výrobky dodávané společností Ferm jsou vyráběny v souladu s požadavky nejnáročnějších norem, pokud jde o funkčnost a bezpečnost. V rámci naší firemní filozofie poskytujeme také vynikající zákaznický servis, který je podporován naší komplexní zárukou. Doufáme, že vám náš výrobek bude dobře sloužit po mnoho následujících let.



Nevhazujte akumulátor do vody



Nelikvidujte tento výrobek do nevhodného kontejneru.



Použijte tříděný odpad pro akumulátory Li-Ion.



Tento výrobek je vyroben v souladu s platnými bezpečnostními normami, které jsou uvedeny ve směrnících EU.

### ZÁKLADNÍ BEZPEČNOSTNÍ VÝSTRAHY PRO ELEKTRICKÉ NÁŘADÍ



#### VAROVÁNÍ!

Přečtěte si všechny bezpečnostní výstrahy, pokyny, ilustrace a technické údaje dodané s tímto elektrickým nářadím.

Nebudete-li dodržovat všechny níže uvedené pokyny, může dojít k úrazu elektrickým proudem, k vzniku požáru nebo k způsobení vážného zranění.

Ušchovejte všechny bezpečnostní výstrahy a pokyny pro budoucí použití.

Termín elektrické nářadí v těchto varováních odkazuje na elektrické nářadí napájené z elektrické sítě (s napájecím kabelem) nebo z akumulátoru (bez napájecího kabelu).

#### 1) Bezpečnost pracovního prostoru

- Udržujte čistotu na pracovišti a zajistěte jeho řádné osvětlení. Neuklizená nebo tmavá místa přivolávají nehody.
- Nepoužívejte elektrická nářadí ve výbušných prostředích, jako jsou místa, kde se vyskytují hořlavé kapaliny, plyny nebo prašné látky. V elektrickém nářadí dochází k jiskření, které může způsobit vznícení prachu nebo výparů.
- Při práci s tímto elektrickým nářadím udržujte děti a okolostojící osoby v bezpečné vzdálenosti. Rozptylování může způsobit ztrátu kontroly nad nářadím.

#### 2) Elektrická bezpečnost

- Zástrčka napájecího kabelu nářadí musí odpovídat zásuvce. Zástrčku nikdy žád-

## 1. BEZPEČNOSTNÍ POKYNY



Přečtěte si přiložené bezpečnostní výstrahy, dodatečné bezpečnostní výstrahy a bezpečnostní pokyny.

Nebudete-li dodržovat tyto bezpečnostní výstrahy a pokyny, může dojít k úrazu elektrickým proudem, k vzniku požáru nebo k způsobení vážného zranění.

Ušchovejte tyto bezpečnostní výstrahy a pokyny pro budoucí použití.

V této uživatelské příručce a na tomto výrobku jsou použity následující symboly:



Upozorňuje na nebezpečí zranění osob, ztráty života nebo poškození nářadí, nebudou-li dodržovány pokyny uvedené v tomto návodu.



Upozorňuje na riziko úrazu elektrickým proudem.



Používejte masku proti prachu.



Používejte ochranné brýle.



Chraňte zařízení před mrazem.



Nevhazujte akumulátor do ohně

ným způsobem neupravujte. **Nepoužívejte u uzemněného elektrického nářadí žádné adaptéry zástrček.** Neupravené zástrčky a odpovídající zásuvky budou snižovat riziko úrazu elektrickým proudem.

- b) **Vyvarujte se kontaktu těla s uzemněnými povrchy, jako jsou potrubí, radiátory, trouby a ledničky.** Dojde-li k uzemnění vašeho těla, hrozí zvýšené riziko způsobení úrazu elektrickým proudem.
  - c) **Nevystavujte elektrické nářadí dešti ani vlhkému prostředí.** Dostane-li se do elektrického nářadí voda, zvýší se riziko úrazu elektrickým proudem.
  - d) **Nezacházejte špatně s napájecím kabelem.** Nikdy nepoužívejte napájecí kabel pro přenášení nebo tahání elektrického nářadí a netahajte za tento kabel při odpojování zástrčky od zásuvky. Dbejte na to, aby tento kabel nepřecházel přes horké a mastné povrchy nebo přes ostré hrany, a aby se nedostal do kontaktu s pohyblivými se díly. Poškozené nebo zamotané kabely zvyšují riziko úrazu elektrickým proudem.
  - e) **Používáte-li elektrické nářadí venku, použijte prodlužovací kabel vhodný pro venkovní použití.** Použití prodlužovacího kabelu pro venkovní použití snižuje riziko úrazu elektrickým proudem.
  - f) **Musíte-li používat toto elektrické nářadí ve vlhkém prostředí, zařadte do elektrického obvodu proudový chránič.** Použití proudového chrániče (RCD) snižuje riziko úrazu elektrickým proudem.  
POZNÁMKA: Pojem „proudový chránič (RCD)“ lze nahradit pojmem „přerušovač obvodu zemního spojení (GFCI)“ nebo „jističi zemního spojení (ELCB)“.
- 3) Bezpečnost osob**
- a) **Při práci s tímto elektrickým nářadím buďte stále pozorní, sledujte, co provádíte a používejte zdravý rozum.** Nepoužívejte elektrické nářadí, jste-li unaveni nebo jste-li pod vlivem drog, alkoholu nebo léků. Nepozornost při práci s elektrickým nářadím může vést k velmi nebezpečným zraněním.
  - b) **Vždy používejte prostředky osobní ochrany.** Vždy používejte ochranu zraku. Ochranné prostředky, jako jsou maska proti prachu, neklouzavá pracovní ochranná obuv, pevná přilba

nebo chrániče sluchu, které jsou používány v příslušných podmínkách, zmenšují riziko způsobení zranění osob.

- c) **Zabraňte náhodnému spuštění nářadí.** Před připojením elektrického nářadí k napájecímu zdroji nebo před vložením akumulátoru do nářadí, před zvednutím nářadí nebo před jeho přenášením se ujistěte, zda je spínač nářadí v poloze vypnuto. Přenášení elektrického nářadí s prstem na spouštěcím spínači nebo připojení elektrického nářadí k zdroji elektrické energie, je-li spouštěcí spínač v poloze zapnuto, zvyšuje pravděpodobnost vzniku nehod.
  - d) **Před zapnutím elektrického nářadí vždy odstraňte všechny klíče a seřizovací přípravky.** Klíče nebo seřizovací přípravky ponechané na rotující části elektrického nářadí mohou způsobit zranění osob.
  - e) **Nepřeceňujte své síly. Vždy udržujte správný postoj a rovnováhu.** Tak si zachováte lepší kontrolu nad nářadím v neočekávaných situacích.
  - f) **Vhodně se oblékejte.** Nenoste volný oděv nebo šperky. Udržujte vlasy, oblečení a rukavice v bezpečné vzdálenosti od všech pohyblivých částí. Volný oděv, šperky nebo dlouhé vlasy mohou být zachyceny pohyblivými se díly.
  - g) **Jsou-li zařízení vybavena adaptérem pro připojení odsávacího systému, ujistěte se, zda je odsávací zařízení správně připojeno a zda správně vykonává svou práci.** Použití odsávání prachu může snížit rizika spojená prací v prašném prostředí.
- 4) Použití elektrického nářadí a jeho údržba**
- a) **Nepřetěžujte elektrické nářadí.** Používejte pro prováděnou práci správné elektrické nářadí. Správné elektrické nářadí provede práci lépe a bezpečněji, je-li použito pro práci, pro které je určeno.
  - b) **Nepoužívejte elektrické nářadí, nepracuje-li správně jeho spouštěcí spínač.** Nemůžete-li elektrické nářadí ovládat pomocí spouštěcího spínače, takové nářadí je velmi nebezpečné a musí být opraveno.
  - c) **Před prováděním jakéhokoliv seřízení, před výměnou příslušenství nebo před uložením odpojte napájecí kabel nářadí od napájecího zdroje nebo z nářadí vyjměte**



- akumulátor.** *Tato preventivní bezpečnostní opatření snižují riziko náhodného spuštění elektrického nářadí.*
- d) **Uložte nepoužívané elektrické nářadí mimo dosah dětí a nedovoďte osobám, které nejsou seznámeny s tímto nářadím nebo s těmito pokyny, aby toto elektrické nářadí používaly.** *Elektrické nářadí je v rukách neproškolených osob nebezpečné.*
- e) **Provádějte údržbu elektrického nářadí.** **Zkontrolujte vychýlení nebo zablokování pohyblivých částí, poškození dílů a stavy nářadí, které by mohly mít vliv na správnou funkci nářadí. Je-li elektrické nářadí poškozeno, před použitím zajistěte jeho opravu.** *Mnoho nehod bývá způsobeno nedostatečnou údržbou elektrického nářadí.*
- f) **Udržujte ostré a čisté řezné nástroje.** *U správně udržovaných řezných nástrojů s ostrými řeznými břity je menší pravděpodobnost jejich zablokování a lépe se s nimi pracuje.*
- g) **Používejte elektrické nářadí, příslušenství, pracovní nástroje atd., podle těchto pokynů a berte v úvahu pracovní podmínky a práci, která bude prováděna.** *Použití elektrického nářadí pro operace, pro které není určeno, může vést k způsobení nebezpečných situací.*
- 5) **Použití a údržba akumulátorového nářadí**
- a) **Nabíjejte akumulátor výhradně v nabíječce, která je předepsána výrobcem.** *Nabíječka vhodná pro jeden typ akumulátoru může způsobit požár při vložení jiného, nevhodného typu.*
- b) **Používejte elektrické nářadí pouze s předepsanými akumulátory.** *Použití jiných typů akumulátoru může způsobit požár nebo zranění.*
- c) **Když akumulátor nepoužíváte, uložte ho mimo dosah kovových předmětů, jako jsou kancelářské sponky, mince, klíče, hřebíky, šroubky nebo jiné malé kovové předměty, které mohou způsobit zkratování jejich kontaktů.** *Zkratování kontaktů akumulátoru může způsobit popáleniny nebo požár.*
- d) **V nevhodných podmínkách může z akumulátoru unikat kapalina. Vyvarujte se kontaktu s touto kapalinou. Dojde-li k náhodnému kontaktu s touto kapalinou, zasažené místo omyjte vodou. Dostane-li se kapalina do očí, ihned si je vypláchněte vodou a vyhle-**

**dejte lékařskou pomoc.** *Unikající kapalina z akumulátoru může způsobit podráždění pokožky nebo popáleniny.*

## 6) Servis

- a) **Svěřte opravu svého elektrického nářadí pouze osobě s příslušnou kvalifikací, která bude používat výhradně originální náhradní díly.** *Tím zajistíte bezpečný provoz tohoto elektrického nářadí.*

### Elektrická bezpečnost:

Je třeba dbát na to, aby žádná kapalina nesměřovala přímo na elektrická zařízení ani na zařízení obsahující elektrické součásti. Při nesprávném použití nebo při poškození akumulátoru může z akumulátoru unikat hořlavá kapalina. Je třeba se vyhnout kontaktu s touto kapalinou. Dojde-li k náhodnému kontaktu s touto kapalinou, zasažené místo opláchněte vodou. Pokud se vám kapalina dostane do očí, vyhledejte další lékařskou pomoc.

- Nikdy neotevírejte tlakový postřikovač ani neodšroubovávejte hubici, pokud je tlakový postřikovač stále pod tlakem. Aby nedošlo ke zranění, nikdy nepřipojujte tlakový postřikovač ke vzduchovému kompresoru.
- Před vytažením pojistného ventilu vždy držte tlakový postřikovač svisle. Při postřiku insekticidy, herbicidy a fungicidy nebo jinými kapalnými přípravky na ochranu rostlin musíte dodržovat všechna zvláštní preventivní opatření stanovená výrobcem vámi používaného přípravku.



*Před otevřením nádrže tlakového postřikovače vždy důkladně uvolněte tlak zatažením za pojistný odlehčovací ventil.*

**NEBEZPEČÍ! Malé části lze snadno spolknout.** **Existuje také nebezpečí, že by se batolata mohla udusit igelitovým sáčkem. Při sestavování zařízení nesmí být batolata v jeho blízkosti.**

### Bezpečnost při použití:

**UPOZORNĚNÍ:** Do nádrže může být naplněno maximálně 5 litrů kapaliny.

- Před každým použitím tlakový postřikovač zkontrolujte.

- Nikdy nenechávejte tlakový postřikovač bez dozoru ani ho neskladujte dlouhou dobu, když je plný a pod tlakem.
- Udržujte toto zařízení mimo dosah dětí. Vy jste zodpovědní za bezpečnost ostatních.
- Udržujte tlakový postřikovač mimo zdroje tepla a horké prostředí.
- Rukou pevně našroubujte rukojeť čerpadla (nepoužívejte nástroje) a ujistěte se, že O-kroužek je správně nasazen.
- Vypínač lze přepnout do polohy „I“ pouze tehdy, když je rukojeť čerpadla našroubována na nádrž.
- Akumulátor nabíjejte pouze při okolní teplotě v rozmezí od 0 °C do +40 °C. Pokud je teplota akumulátoru mimo povolený rozsah teplot nabíjení, nelze akumulátor nabíjet. Jakmile je dosaženo přípustného rozmezí teplot, může nabíjení akumulátoru proběhnout.

#### Bezpečnost při čištění:

- Po každém použití uvolněte tlak, vyprázdněte nádrž, pečlivě ji vyčistěte a vypláchněte čistou vodou. Potom nechte tlakový postřikovač otevřený, aby mohl vyschnout.
- Nevylévejte zbytky kapalin do kanalizace (místní sítě).
- Před použitím jiného produktu tlakový postřikovač důkladně vyčistěte, aby nedošlo k chemické reakci.
- Při použití několika tlakových postřikovačů nelze mezi nimi zaměňovat nádrže a postřikovací hubiči.

#### Bezpečnost při skladování:

- Před uložením povolte uzávěr nádrže a vždy svůj tlakový postřikovač úplně vyprázdněte (i po čištění vodou).
- Chraňte před mrazem.
- Tlakový postřikovač přenášejte za popruh nebo rukojeť.
- Zajistěte, aby byl výrobek chráněn před přímým slunečním světlem. Výrobek se může zahřívat.

## 2. INFORMACE O ZAŘÍZENÍ

#### Zamýšlené použití

Tlakový postřikovač je určen pro rozprašování kapalin bez obsahu rozpouštědel, např.: pesticidů<sup>1</sup>, herbicidů<sup>1</sup>, hnojiv<sup>1</sup> či čističů oken<sup>1</sup> na soukromých zahradách a pozemcích.

Nesmí se používat na veřejných místech, v parcích, na sportovištích, v zemědělství ani v lesnictví. Shoda se specifikacemi v tomto návodu k obsluze je podmínkou pro správné používání tlakového postřikovače.



#### Varování

1. Nepoužívejte pistole ke stříkání hořlavých materiálů.
2. Uvědomte si veškerá nebezpečí spojená s materiálem, který je rozprašován, dodržujte pokyny uvedené na obalu nebo v informacích poskytnutých výrobcem rozprašovaného materiálu.
3. Nestříkejte žádný materiál, jehož rizika nejsou známa.
4. Nečistěte pistole hořlavými rozpouštědly.

<sup>1</sup> Podle zákona o ochraně rostlin a také zákona o detergentech a čisticích prostředcích lze používat pouze schválené prostředky (autorizovaní specializovaní prodejci).

#### TECHNICKÉ ÚDAJE

Model č.	PSM1044
Max. objem	5L
Napájecí napětí	4 V
Zásuvka USB	Typ C
Délka stříkací trubice (včetně stříkací pistole)	15-50 CM
Provozní doba	2 hodiny
Doba nabíjení	2 hodiny
Výkon	0,3 l/min
Max. provozní teplota vody	60 °C
Akustický tlak (Lpa)	52,8+ 3 dB(A)
Akustický výkon (Lwa)	63,8+ 3 dB(A)
Vibrace	0,205 + 1,5 m/s <sup>2</sup>

#### Vibrace

Deklarovaná celková hodnota vibrací byla stanovena standardní zkušební metodou podle norem EN 60745-1 a EN50580 a lze ji používat pro srovnání jednoho nářadí;

Deklarovanou celkovou hodnotu vibrací lze také používat pro předběžné posouzení expozice.

- Emise vibrací během skutečného používání elektrického nářadí se však mohou lišit od deklarované celkové hodnoty v závislosti na způsobech používání nářadí.
- Je třeba určit bezpečnostní opatření na ochranu obsluhy, která jsou založena na odhadu expozice za skutečných podmínek používání (s přihlédnutím ke všem částem pracovního cyklu, jako jsou časy, kdy je nářadí vypnuto a kdy běží naprázdno).

### POPIS

Čísla v následujícím textu odkazují na obrázky na stranách 2-4.

1. Postřikovač
2. Zajišťovací matice hubice
3. Krátká hubice
4. Nástavec na dlouhou hubici
5. Hadice
6. Nádrž
7. Rukojeť nádrže
8. Prstenec nádrže
9. Odlehčovací ventil
10. Popruh na přenášení
11. Nabíjecí kabel (součást dodávky)
12. Indikátor nabíjení
13. Vypínač
14. Filtr hadice
15. Indikátor akumulátoru
16. Místo pro uložení hubice
17. Indikátor hladiny kapaliny

## 3. MONTÁŽ

### Hubice

#### Obr. B

Při prvním použití je na postřikovači (1) nasazena krátká hubice (3)

- Odšroubujte zajišťovací matici hubice (2).
- Sejměte nebo nasadte krátkou (3) nebo nástavec na dlouhou hubici (4).
- Nasadte zajišťovací matici hubice (2) a utáhněte ji rukou.



Zkontrolujte, zda je hadice (5) dobře připojena k postřikovači (1) a k prstenci

nádrže (8), popřípadě dotáhněte matice rukou.

### Popruh na přenášení

- Připevněte popruh na přenášení k nádrži.

## 4. POUŽITÍ

### Nabíjení postřikovače

#### Obr. C

Zapojte kabel nabíječky (je součástí dodávky) do adaptéru (není součástí dodávky).

- Zapojte kabel nabíječky (11) do postřikovače
- Zapojte zástrčku nabíječky do elektrické zásuvky, po několika sekundách se indikátor nabíjení (12) rozsvítí a zobrazí se stav nabíjení.

Úplné nabití akumulátoru může trvat až 2 hodiny.

### Kontrola stavu nabití akumulátoru

#### Obr. D

Kontrolka akumulátoru (15) ukáže zbývajících úroveň nabití akumulátoru, když stisknete vypínač (13). Indikátor akumulátoru (15) používá dvě kontrolky k indikaci zbývajících úrovně nabití. Čím více kontrolky svítí, tím více kapacity akumulátoru ještě zůstalo.

Když svítí jedna kontrolka, znamená to, že je akumulátor téměř vybitý a měli byste jej nabít.

### Stříkání kapaliny

#### Obr. E

**Poznámka:** Dodržujte prosím bezpečnostní pokyny a pokyny pro dávkování poskytnuté výrobcem produktu, kterým budete provádět postřik.

1. Zatáhněte za odlehčovací ventil (9). Viz Obr. E1
2. Odšroubujte rukojeť nádrže (7) a naplňte nádrž (6). Viz Obr. E2.  
\* V případě potřeby kapalinu zředte
3. Našroubujte rukojeť nádrže (7) zpět na nádrž (6).



Zkontrolujte, zda je hadice (5) dobře připojena k postřikovači (1) a k prstenci nádrže (8), popřípadě dotáhněte matice rukou

- Když podržíte stisknutý vypínač (13) na postřikovači, bude kapalina stříkat
- Až budete s postřikem hotovi, vypínač uvolněte a stříkání ustane

#### Nastavení stříkání pomocí trysky hubice Obr. E4

Kapalina může vycházet z trysky hubice (3+4) buďto ve tvaru proudu nebo vějíře. Nejprve zapněte postřikovač a potom nastavte trysku hubice jejím otočením po směru nebo proti směru hodinových ručiček. Jak je zobrazeno na Obr. E4.

#### Ukazatel hladiny kapaliny (17)

Nádrž (6) má průhlednou část, ve které je vidět hladina kapaliny v nádrži.

Díky stupnici se může použít i jako odměrná nádoba.

## 5. ÚDRŽBA

### Čištění

Po použití tlakový postřikovač vždy vyčistěte. Do tlakového rozprašovače nalijte pouze čistou vodou (případně s přidavkem mycího prostředku na nádobí) a obsah vystříkejte. Ventily, postřikovač (1), hubice (3+4), hadice (5) a hadicový filtr (14) uvnitř nádrže se vyčistí.

Zatáhněte za odlehčovací ventil (9), abyste se ujistili, že se volně pohybuje.

### Skladování

#### Obr. F1, F2

- Uložte pistolí do držáku na prstenci nádrže. Jak je zobrazeno na Obr. F1
- Hubice nepřipojené k postřikovači je možné uložit do speciálního držáku (16), jak je naznačeno na Obr. F2.



*Tlakový postřikovač skladujte na místě, kde nemrzne.*

## 6. ODSTRAŇOVÁNÍ POTÍŽÍ

### Jak vyčistit filtr hadice:

Odšroubujte rukojeť nádrže a vytáhněte hadici z nádrže. Vyčistěte filtr. Po vyčištění připojte filtr zpět na hadici a hadici vložte do nádrže.

### V nádrži je kapalina, ale postřikovač nestříká.

- Zkontrolujte, zda je postřikovač plně nabitý
- Zkontrolujte, že jsou všechny hadice (i uvnitř nádrže) správně připojeny. Podle potřeby je připojte a dotáhněte příslušné matice.
- Uvolněte tlak zatažením za odlehčovací ventil.

## OCHRANA ŽIVOTNÍHO PROSTŘEDÍ

Z důvody ochrany před poškozením během přepravy je tento stroj dodáván v robustním balení. Je-li to možné, obal je vyroben z recyklovatelného materiálu, a proto využijte možnost jeho recyklace. Prováděte-li výměnu stroje, odevzdejte starý stroj autorizovanému prodejci. Zde bude vyřešena ekologicky nezávadná likvidace tohoto stroje.



*Symbol přeškrtnuté nádoby na odpad znamená, že tento výrobek nesmí být likvidován společně s běžným domovním odpadem. Elektronická a elektrická zařízení, která nejsou zahrnuta do procesu selektivního třídění, jsou kvůli přítomnosti nebezpečných látek v nich potenciálně nebezpečná pro životní prostředí a lidské zdraví. Odneste je do schváleného zařízení pro nakládání s odpady nebo recyklaci.*

### Pouze pro zeme EU

Nevyhazujte elektrická náradí do běžného domácího odpadu. Podle evropské směrnice 2012/19/EU týkající se likvidace elektrických a elektronických zařízení a její implementace do vnitrostátního práva, musí být nepoužívaná elektrická náradí shromažďována odděleně a jejich likvidace musí být provedena tak, aby nedošlo k ohrožení životního prostředí.

## ZÁRUKA

Výrobky FERM jsou vyvíjeny v souladu s požadavky norem na nejvyšší kvalitu a je zaručeno, že po dobu platné záruky, která začíná běžet dnem původního nákupu, nebudou na těchto výrobcích žádné vady materiálu, ani vady způsobené špatným dílenským zpracováním. Dojde-li během tohoto období k závadě



v důsledku vady materiálu nebo dílenského zpracování, kontaktujte přímo prodejce FERM.

Z této záruky jsou vyloučeny následující případy:

- Opravy nebo úpravy tohoto zařízení byly provedeny nebo byly provedeny pokusy o jejich provedení v neautorizovaných servisech.
- Běžné opotřebení.
- Toto zařízení bylo nesprávně použito, nevhodně použito nebo nebyla prováděna jeho správná údržba.
- Byly použity neoriginální náhradní díly

Výše uvedené představuje jedinou záruku poskytovanou společností, ať už výslovnou nebo předpokládanou. Neexistují žádné další záruky, výslovné ani nebo předpokládané, které přesahují rámec zde uvedeného, včetně předpokládaných záruk prodejnosti a vhodnosti pro určitý účel. FERM v žádném případě neodpovídá za jakékoliv náhodné nebo následné škody. Opravné prostředky prodejců se omezují výhradně na opravu nebo výměnu nevyhovujících jednotek nebo dílů.

**Na tomto výrobku a v tomto návodu mohou být prováděny změny. Technické údaje mohou být změněny bez předchozího upozornění.**

## **IRRORATORE A PRESSIONE DA 5L - 4V PSM1044**

### **Grazie per avere acquistato questo prodotto Ferm.**

Ora possedete un prodotto eccellente, offerto da uno dei principali fornitori europei. Tutti i prodotti Ferm sono realizzati nel rispetto dei più rigorosi standard prestazionali e di sicurezza. Nell'ambito della nostra filosofia aziendale offriamo inoltre un servizio di assistenza ai clienti eccellente, supportato da una garanzia completa. Ci auguriamo che possiate utilizzare con soddisfazione questo prodotto per molti anni.

## **1. ISTRUZIONI DI SICUREZZA**



**Leggere le avvertenze di sicurezza, le avvertenze di sicurezza aggiuntive e le istruzioni contenute in questo manuale.** La mancata osservanza delle avvertenze e istruzioni di sicurezza potrebbe dar luogo a scosse elettriche, incendi e/o lesioni personali gravi.  
**Conservare le avvertenze di sicurezza e le istruzioni per riferimenti futuri.**

I simboli riportati di seguito vengono utilizzati all'interno del manuale per l'utilizzatore oppure sono indicati sul prodotto:



Denota il rischio di lesioni personali, morte o danni all'utensile in caso di mancata osservanza delle istruzioni contenute in questo manuale.



Indica il pericolo di scosse elettriche.



Indossare una maschera antipolvere.



Indossare occhiali protettivi.



Proteggere la macchina dal gelo.



Non gettare la batteria nel fuoco



Non gettare la batteria nell'acqua



Non smaltire il prodotto in contenitori non idonei.



Raccolta differenziata per la batteria agli ioni di litio.



Il prodotto è conforme alle norme di sicurezza applicabili ai sensi delle direttive europee vigenti.

## AVVERTENZE DI SICUREZZA GENERALI PER ELETTROUTENSILI



### AVVERTENZA!

**Leggere tutte le avvertenze di sicurezza, le istruzioni, le illustrazioni e le specifiche tecniche fornite insieme a questo elettro utensile.** La mancata osservanza delle istruzioni seguenti può dar luogo a una scossa elettrica, un incendio e/o lesioni personali gravi.

**Conservare tutte le avvertenze e le istruzioni per riferimenti futuri.**

Il termine "elettro utensile" nelle avvertenze si riferisce all'utensile elettrico alimentato dalla rete (con cavo) o all'utensile elettrico a batteria (senza fili).

### 1) Sicurezza dell'area di lavoro

- Mantenere l'area di lavoro pulita e ben illuminata.** Gli ambienti disordinati o scarsamente illuminati favoriscono gli incidenti.
- Evitare di usare gli elettro utensili in ambienti esposti al rischio di esplosione, come ad esempio in presenza di liquidi, gas o polveri infiammabili.** Gli elettro utensili generano scintille che possono incendiare polveri o fumi.
- Tenere lontani bambini e altre persone presenti nelle vicinanze mentre si usa un elettro utensile.** Le distrazioni possono causare la perdita di controllo.

### 2) Sicurezza elettrica

- Le spine dell'elettro utensile devono essere adatte alla presa di corrente. Non modificare la spina in alcun modo. Non utilizzare spine con adattatore per un elettro utensile**

**dotato di messa a terra.** Per ridurre il rischio di scosse elettriche evitare di modificare le spine e utilizzare sempre le prese di corrente appropriate.

- Evitare il contatto fisico con superfici collegate a terra, come tubi, radiatori, forni e frigoriferi.** Se il corpo dell'utilizzatore è collegato a terra, il rischio di scosse elettriche aumenta.
- Non esporre gli elettro utensili alla pioggia o all'umidità.** Se dovesse penetrare dell'acqua all'interno dell'elettro utensile, il rischio di scosse elettriche aumenta.
- Non utilizzare il cavo di alimentazione in modo improprio. Non spostare, tirare o scollegare mai l'elettro utensile dalla presa di corrente tirandolo dal cavo. Tenere il cavo di alimentazione lontano da fonti di calore, olio, bordi taglienti o parti in movimento.** Se il cavo di alimentazione è danneggiato o impigliato, il rischio di scossa elettrica aumenta.
- Quando l'elettro utensile viene usato all'aperto, utilizzare unicamente prolunghie omologate per l'impiego all'esterno.** L'uso di un cavo idoneo per esterni riduce il rischio di scosse elettriche.
- Se non è possibile evitare di utilizzare un elettro utensile in una zona umida, collegarsi a una rete elettrica protetta da un interruttore differenziale salvavita (RCD).** L'uso di un salvavita riduce il rischio di scosse elettriche.  
NOTA: Il termine "dispositivo di corrente residua (RCD)" può essere sostituito dal termine "interruttore di circuito di guasto a terra (GFCI)" o "interruttore di circuito di dispersione a terra (ELCB)".

### 3) Sicurezza personale

- Quando si utilizza un elettro utensile evitare di distrarsi. È importante concentrarsi su quello che si sta facendo e usare il buon senso. Non utilizzare l'elettro utensile quando si è stanchi o sotto l'effetto di stupefacenti, alcool o medicinali.** Un solo attimo di distrazione durante l'uso di un elettro utensile potrebbe provocare gravi lesioni personali.
- Utilizzare dispositivi di protezione personale. Indossare sempre occhiali di sicurezza.** L'impiego di dispositivi di protezione individua-

- le, quali maschere antipolvere, scarpe antinfortunistiche antiscivolo, elmetti di sicurezza o protezioni per l'udito, nelle condizioni opportune, consente di ridurre le lesioni personali.
- c) **Prevenire l'avvio accidentale. Accertarsi che l'interruttore sia nella posizione di spegnimento, prima di collegare l'elettro- utensile alla rete elettrica e/o alla batteria, di prenderlo in mano o di trasportarlo.** Per non esporsi al rischio di incidenti, non trasportare l'elettro- utensile tenendo le dita sull'interruttore e non collegarlo a una fonte di alimentazione elettrica con l'interruttore in posizione di accensione.
- d) **Prima di accendere l'elettro- utensile rimuovere eventuali chiavi o utensili di regolazione.** Un attrezzo di regolazione o una chiave inseriti in una parte rotante dell'elettro- utensile possono provocare lesioni personali.
- e) **Non sbilanciarsi. Mantenere sempre un appoggio e un equilibrio adeguati.** In tal modo è possibile mantenere un migliore controllo dell'elettro- utensile nelle situazioni impreviste.
- f) **Indossare abiti adeguati. Non indossare abiti larghi o gioielli. Tenere i capelli, gli indumenti e i guanti lontano dalle parti mobili.** Abiti larghi, gioielli o capelli lunghi possono impigliarsi nelle parti in movimento.
- g) **Se gli elettro- utensili sono provvisti di attacchi per il collegamento di dispositivi di aspirazione o di raccolta delle polveri, assicurarsi che essi siano installati e utilizzati correttamente.** L'impiego di dispositivi di aspirazione delle polveri può ridurre i pericoli legati alle stesse.
- 4) Uso e cura dell'elettro- utensile**
- a) **Non forzare l'elettro- utensile. Utilizzare l'elettro- utensile corretto per il lavoro da svolgere.** L'elettro- utensile corretto funziona meglio e in modo più sicuro, se utilizzato alla velocità per cui è stato progettato.
- b) **Non utilizzare l'elettro- utensile se il rispettivo interruttore di accensione/spegnimento non funziona.** Qualsiasi elettro- utensile che non possa essere controllato tramite l'interruttore è pericoloso e deve essere riparato.
- c) **Scollegare la spina dalla presa di corrente e/o il pacco batteria dall'elettro- utensile prima di effettuare qualsiasi tipo di regolazione, cambiare gli accessori o riporlo.**
- Queste misure di sicurezza preventive riducono il rischio di azionare accidentalmente l'elettro- utensile.
- d) **Quando non vengono usati, gli elettro- utensili devono essere custoditi fuori dalla portata dei bambini. Non consentire l'uso dell'elettro- utensile a persone inesperte o che non abbiano letto questo manuale di istruzioni.** Gli elettro- utensili sono pericolosi in mano a persone inesperte.
- e) **Sottoporre gli elettro- utensili a regolare manutenzione. Verificare che le parti mobili siano correttamente allineate e non inceppate, che non vi siano componenti rotti e che non sussistano altre condizioni che possono compromettere il funzionamento dell'elettro- utensile. Se l'elettro- utensile dovesse essere danneggiato, farlo riparare prima dell'uso.** Molti incidenti sono provocati da elettro- utensili non sottoposti a una corretta manutenzione.
- f) **Mantenere affilati e puliti gli utensili da taglio.** La manutenzione corretta degli utensili da taglio con bordi affilati riduce le probabilità di inceppamento e ne facilita il controllo.
- g) **Utilizzare l'elettro- utensile, gli accessori, le punte, ecc. in conformità a queste istruzioni, tenendo conto delle condizioni operative e del lavoro da eseguire.** L'utilizzo dell'elettro- utensile per impieghi diversi da quelli previsti può provocare situazioni di pericolo.
- 5) Uso e cura dell'utensile a batteria**
- a) **Ricaricare l'utensile esclusivamente con il caricabatterie specificato dal costruttore.** Un caricabatterie adatto a un determinato tipo di pacco batteria potrebbe comportare il rischio di incendio se viene utilizzato con un pacco batteria diverso.
- b) **Gli elettro- utensili devono essere usati esclusivamente con i tipi di batterie specificatamente indicati.** L'uso di batterie di tipi diversi può comportare il rischio di lesioni e di incendio.
- c) **Quando il pacco batteria non viene utilizzato, tenerlo lontano da oggetti metallici, come fermagli, monete, chiavi, chiodi, viti o altri piccoli oggetti di metallo, che potrebbero provocare un contatto dei terminali.** La messa in cortocircuito accidentale

dei morsetti della batteria potrebbe provocare ustioni o dare luogo a un incendio.

- d) **In condizioni di sovraccarico, potrebbe fuoriuscire del liquido dalla batteria: evitare il contatto. In caso di contatto, sciacquare con abbondante acqua. Se il liquido viene a contatto con gli occhi, consultare anche un medico. Il liquido fuoriuscito dalla batteria può causare irritazione o ustioni.**

#### 6) Assistenza

- a) **L'assistenza per l'elettrodomestico deve essere prestata da un tecnico qualificato che utilizzi soltanto ricambi originali. In questo modo viene garantita la sicurezza dell'elettrodomestico.**

#### Sicurezza elettrica:

Va osservato che nessun liquido può essere diretto direttamente su dispositivi elettrici e apparecchiature contenenti componenti elettrici. In caso di utilizzo erraneo o se le batterie sono danneggiate, il liquido infiammabile può essere espulso dalle batterie. Evitare il contatto con questo liquido. In caso di contatto accidentale, sciacquare con abbondante acqua. Se il liquido entra in contatto con gli occhi, richiedere ulteriore assistenza medica.

- Non aprire mai l'irroratore a pressione o svitare l'ugello quando l'irroratore a pressione è ancora pressurizzato. Per evitare lesioni, non collegare mai l'irroratore a pressione a un compressore d'aria.
- Tenere sempre l'irroratore a pressione in posizione verticale prima di tirare la valvola di sicurezza. Quando si spruzzano insetticidi, erbicidi e fungicidi o altri prodotti fitosanitari liquidi, è necessario rispettare tutte le misure precauzionali speciali specificate dal produttore del prodotto che si sta utilizzando.



*Prima di aprire il serbatoio dell'irroratore a pressione, rilasciare completamente la pressione tirando la valvola di sicurezza.*

**PERICOLO! Le parti di piccole dimensioni possono essere facilmente ingerite. Inoltre, il sacchetto di plastica presenta un rischio di soffocamento per i bambini. Tenere lontani i bambini durante l'assemblaggio del prodotto.**

#### Sicurezza operativa:

**ATTENZIONE:** il serbatoio può essere riempito soltanto con un massimo di 5 litri di liquido.

- Ispezionare visivamente l'irroratore a pressione prima di ogni utilizzo.
- Non lasciare mai l'irroratore a pressione incustodito e non conservarlo per lunghi periodi quando è pieno e pressurizzato per lunghi periodi.
- Tenere l'unità fuori dalla portata dei bambini. L'utente è responsabile della sicurezza degli altri.
- Tenere l'irroratore a pressione lontano da fonti di calore e ambienti caldi.
- Avvitare saldamente a mano l'impugnatura della pompa (non utilizzare attrezzi) e assicurarsi che l'O-ring sia posizionato correttamente.
- L'interruttore di accensione/spegnimento può essere posizionato su "I" soltanto quando l'impugnatura della pompa è avvitata sul contenitore.
- Caricare la batteria soltanto a una temperatura ambiente compresa tra 0 °C e + 40 °C. Se la temperatura della batteria è al di fuori dell'intervallo di temperatura di carica consentito, non è possibile ricaricare la batteria. Non appena viene raggiunto l'intervallo di temperatura consentito, la batteria viene caricata.

#### Sicurezza della pulizia:

- Scaricare la pressione dopo ogni utilizzo, svuotare il contenitore, pulirlo accuratamente e sciacquare con acqua pulita. Quindi lasciare aperto l'irroratore a pressione e lasciarlo asciugare.
- Non smaltire fluidi residui nella rete fognaria (impianti di smaltimento locali).
- Pulire sempre l'irroratore a pressione prima di utilizzare un prodotto diverso per evitare reazioni chimiche.
- Quando si utilizzano più irroratori a pressione, i serbatoi e l'ugello di spruzzatura non possono essere scambiati tra loro.

#### Sicurezza di conservazione:

- Prima di riporlo, allentare il tappo del serbatoio e svuotare sempre completamente l'irroratore a pressione (anche dopo averlo pulito con acqua).





- Conservare al riparo dal gelo.
- Trasportare l'irroratore a pressione per la cinghia di trasporto o per la maniglia.
- Assicurarsi che il prodotto sia protetto dalla luce solare diretta. Il prodotto potrebbe riscaldarsi.

## 2. INFORMAZIONI RELATIVE ALL'APPARECCHIO

### Uso previsto

L'irroratore a pressione è destinato alla distribuzione di liquidi privi di solventi, ad esempio: pesticidi<sup>1</sup>, erbicidi<sup>1</sup>, fertilizzanti<sup>1</sup> e detersivi per finestre<sup>1</sup> nei giardini e negli orti domestici.

Non deve essere utilizzato in luoghi pubblici, parchi, palazzetti dello sport o in agricoltura o silvicoltura. La conformità alle specifiche di questo manuale operativo è un requisito per l'uso corretto dell'irroratore a pressione.



### Avvertenza

1. Non utilizzare pistole per spruzzare materiali infiammabili.
2. Tenere presenti eventuali pericoli presentati dal materiale da spruzzare e le istruzioni per consultare i contrassegni sul contenitore o le informazioni fornite dal produttore del materiale da spruzzare.
3. Non spruzzare materiali ove non sono noti i rischi.
4. Non pulire le pistole con solventi infiammabili.

<sup>1</sup> Secondo la legge sulla protezione delle piante, nonché la legge sui detersivi e sui detersivi, possono essere utilizzati esclusivamente agenti autorizzati (rivenditori specializzati autorizzati).

### DATI TECNICI

<b>N° modello.</b>	<b>PSM1044</b>
Capacità max	5L
Tensione	4V
Connessione USB	Tipo C
Lunghezza del tubo della pistola a spruzzo (compresa l'impugnatura della pistola a spruzzo)	15-50CM
Tempo di funzionamento	2 ore
Tempo di ricarica	2 ore
Uscita della pressione	0,3L/Min
Temperatura di funzionamento dell'acqua max	60 °C
Pressione sonora (Lpa)	52,8 + 3 dB(A)
Potenza acustica (Lwa)	63,8 + 3 dB(A)
Vibrazioni	0,205 + 1,5 m/s <sup>2</sup>

### Livello di emissione di vibrazioni

Il valore totale delle vibrazioni dichiarato è stato misurato secondo un metodo di collaudo standard EN 60745-1 & EN50580 e può essere utilizzato per confrontare uno utensile con un altro;

Il valore totale delle vibrazioni dichiarato può essere utilizzato anche in una valutazione preliminare dell'esposizione.

- L'emissione di vibrazioni durante l'uso effettivo dell'elettro utensile può differire dal valore totale dichiarato a seconda delle modalità di utilizzo dell'utensile.
- Necessità di individuare misure di sicurezza a tutela dell'operatore che si basino su una stima dell'esposizione nelle condizioni effettive di utilizzo (tenendo conto di tutte le parti del ciclo operativo quali i tempi di spegnimento dell'utensile e di funzionamento a vuoto in aggiunta al tempo di attivazione).

### DESCRIZIONE

I numeri che compaiono nel testo si riferiscono alle figure riportate alle pagine 2-4.

1. Irroratore
2. Dado di chiusura dell'ugello
3. Ugello corto
4. Prolunga per ugello lungo
5. Tubo flessibile
6. Serbatoio
7. Maniglia del serbatoio
8. Anello del serbatoio
9. Valvola di sicurezza
10. Cinghia di trasporto
11. Cavo di ricarica (in dotazione)
12. Indicatore di carica

- 13. Interruttore di accensione/spengimento
- 14. Filtro del tubo
- 15. Spia di indicazione della batteria
- 16. Alloggiamento ugello
- 17. Indicatore del livello del liquido

### 3. ASSEMBLAGGIO

#### Ugelli

##### Fig. B

Al primo utilizzo, l'ugello corto (3) è assemblato sull'irroratore (1)

- Rimuovere il dado di chiusura dell'ugello (2).
- Rimuovere e sostituire l'ugello corto (3) o prolunga per ugello lungo (4).
- Posizionare il dado di chiusura dell'ugello (2) e serrare a mano.



*Verificare che il tubo (5) sia ancora ben collegato all'irroratore (1) e all'anello del serbatoio (8), se necessario serrare i dadi a mano.*

#### Cinghia di trasporto

- Fissare la cinghia di trasporto al serbatoio.

### 4. FUNZIONAMENTO

#### Caricamento dell'irroratore

##### Fig. C

Inserire il cavo del caricabatterie (in dotazione) nell'adattatore (non in dotazione).

- Inserire il cavo del caricabatterie (11) nell'irroratore
- Inserire la spina del caricabatterie in una presa elettrica; dopo alcuni secondi la spia di indicazione del caricabatterie (12) si accende e mostra lo stato di carica.

Per caricare completamente la batteria possono essere necessarie fino a 2 ore.

#### Controllo dello stato della batteria

##### Fig. D

La spia di indicazione della batteria (15) mostra il livello residuo della batteria quando viene premuto l'interruttore di accensione/spengimento (13).

La spia di indicazione della batteria (15) ha due luci che indicano il livello residuo. A seconda del numero di luci acceso si determina la capacità di carica della batteria.

Se è illuminata una luce, significa che la batteria è quasi completamente scarica e dovrebbe essere ricaricata immediatamente.

#### Per spruzzare il liquido

##### Fig. E

**Nota:** Si prega di osservare le istruzioni di sicurezza e di dosaggio fornite dal produttore del prodotto che si intende irrorare.

1. Tirare la valvola di sicurezza (9). Vedere la Fig. E1
2. Svitare la maniglia del serbatoio (7) e riempire il serbatoio (6). Vedere la Fig. E2.  
\* Se necessario, aggiungere liquido additivo
3. Riavvitare la maniglia del serbatoio (7) sul serbatoio (6).



*Verificare che il tubo (5) sia ancora ben collegato all'irroratore (1) e all'anello del serbatoio (8), se necessario serrare i dadi a mano.*

4. Premere e tenere premuto l'interruttore di accensione/spengimento (13) sull'irroratore per spruzzare
5. Quando si è terminata l'operazione, rilasciare il pulsante sull'irroratore per arrestarlo

#### Regolare la pistola di spruzzo dalla punta dell'ugello

##### Fig. E4

L'acqua può essere spruzzata dalla punta dell'ugello (3+4) sia linearmente che a ventaglio. Per prima cosa accendere l'irroratore, quindi regolare la punta dell'ugello ruotandola in senso orario e antiorario, come illustrato nella Fig. E4.

#### Indicatore del livello del liquido (17)

Il serbatoio (6) ha una linea trasparente che mostra il livello del liquido nel serbatoio. Questo può essere utilizzato anche come misurino, con indicazione per litri.

## 5. MANUTENZIONE

### Pulizia

Pulisci sempre l'irroratore a pressione dopo la spruzzatura. Utilizzare l'irroratore a pressione solo con acqua pulita (possibilmente con l'aggiunta di detersivo per piatti) e spruzzare a vuoto. Vengono pulite le valvole, l'irroratore (1), gli ugelli (3+4), il tubo (5) e il filtro del tubo (14) all'interno del serbatoio.

Tirare la valvola di sicurezza (9) per vedere se presenta qualche blocco per garantire un funzionamento regolare.

### Conservazione

#### Fig F1, F2

- Posizionare l'irroratore sul supporto posizionato sull'anello del serbatoio, come mostrato nella Fig. F1.
- L'ugello non collegato all'irroratrice può essere riposto nell'apposito alloggiamento (16) come mostrato in Fig. F2.



Conservare l'irroratore a pressione in un luogo protetto dal gelo.

## 6. RISOLUZIONE DEI PROBLEMI

### Per pulire il filtro del tubo:

Svitare la maniglia del serbatoio e rimuovere il tubo all'interno del serbatoio. Pulire il filtro. Dopo la pulizia, riposizionare il filtro sul tubo del serbatoio e il tubo all'interno del serbatoio.

### È presente del liquido nel serbatoio ma l'irroratore non spruzza.

- Verificare che l'irroratore sia completamente carico
- Verificare che tutti i tubi (anche all'interno del serbatoio) siano collegati correttamente, se necessario ricollegare e serrare i dadi necessari.
- Scaricare la pressione tirando la valvola di sicurezza.

## RISPETTO AMBIENTALE

Per impedire danni durante il trasporto, l'utensile viene fornito in un imballaggio robusto. L'imballaggio è realizzato in materiale riciclabile ogniqualvolta ciò sia possibile, pertanto sfruttare le possibilità di riciclaggio della confezione. Quando si sostituisce un utensile, portare l'utensile vecchio al concessionario. Qui verrà trattato in modo rispettoso dell'ambiente.



*Il simbolo del cassonetto barrato riportato sull'apparecchiatura indica che questo prodotto non deve essere smaltito con i normali rifiuti domestici. I dispositivi elettronici ed elettrici non inclusi in un processo di smistamento sono potenzialmente pericolosi per l'ambiente e la salute umana a causa della presenza di sostanze pericolose. Si prega di smaltire in modo responsabile presso centri idonei di raccolta differenziata.*

### Solo per i Paesi CE

Non smaltire gli elettrodomestici insieme ai rifiuti domestici. Secondo la Direttiva europea 2012/19/EU sui rifiuti delle apparecchiature elettriche ed elettroniche e relativa implementazione nelle normative locali, gli elettrodomestici ormai inutilizzabili devono essere raccolti separatamente e smaltiti in modo ecologico.

## GARANZIA

I prodotti FERM sono sviluppati secondo gli standard di qualità più elevati e sono garantiti esenti da difetti sia per quanto riguarda i materiali che la lavorazione per il periodo stabilito per legge a decorrere dalla data di acquisto iniziale. Se durante tale periodo il prodotto dovesse presentare dei difetti di materiali e/o di lavorazione, contattare direttamente il proprio rivenditore FERM.

Le seguenti circostanze sono escluse dalla garanzia:

- esecuzione o tentativo di esecuzione di riparazioni o modifiche all'apparecchio da parte di personale di centri di assistenza non autorizzati;

- usura normale;
- maltrattamento, uso improprio o manutenzione inadeguata dell'apparecchio;
- impiego di ricambi non originali

La presente costituisce l'unica garanzia espressa o implicita fornita dall'azienda. Non sono concesse altre garanzie, né espresse né implicite, oltre a quelle descritte nel presente documento, comprese le garanzie implicite di commerciabilità e di idoneità per uno scopo particolare. In nessun caso FERM sarà ritenuta responsabile di alcun danno incidentale o consequenziale. I rimedi offerti dai rivenditori si limiteranno alla riparazione o alla sostituzione delle unità o dei componenti non conformi.

**Il prodotto e il manuale per l'utilizzatore sono soggetti a modifiche. I dati tecnici possono essere modificati senza ulteriore notifica.**

## TLAKOVÝ POSTREKOVÁČ 5 L – 4 V PSM1044

**Ďakujeme vám, že ste si zakúpili produkt značky FERM.**

Získali ste tým špičkový produkt od jedného z popredných európskych dodávateľov. Všetky produkty, ktoré vám boli dodané spoločnosťou Ferm sa vyrábajú podľa najvyšších štandardov výkonu a bezpečnosti. V rámci našej podnikovej filozofie poskytujeme aj špičkové zákaznicke služby v kombinácii s komplexnou zárukou. Dúfame, že náš produkt vám bude dobre slúžiť ešte mnoho rokov.

### 1. BEZPEČNOSTNÉ POKYNY



**Prečítajte si priložené bezpečnostné varovania, doplnkové bezpečnostné varovania a pokyny.** Nedodržanie bezpečnostných varovaní a pokynov môže mať za následok zásah elektrickým prúdom, vznik požiaru a/alebo vážnu ujmu na zdraví. **Všetky bezpečnostné varovania a pokyny si odložte na budúce použitie.**

V používateľskej príručke alebo priamo na produkte nájdete nasledujúce symboly:



Vypovedá o riziku ujmy na zdraví, usmrtenia a poškodenia náradia v prípade nedodržania pokynov v tejto príručke.



Označuje nebezpečenstvo zásahu elektrickým prúdom.



Majte nasadenú protiprachovú masku.



Majte nasadené ochranné okuliare.



Zariadenie chráňte pred mrazom.



Batériu nevhadzujte do ohňa.



Batériu nevhadzujte do vody.



Produkt nelikvidujte v nevhodných kontajneroch.



Separovaný zber pre lítium-iónovú batériu.



Produkt je v súlade s platnými bezpečnostnými štandardmi obsiahnutými v európskych smerniciach.

## VŠEOBECNÉ BEZPEČNOSTNÉ UPOZORNENIA OHĽADOM ELEKTRICKÉHO NÁRADIA



### VAROVANIE!

Preštudujte si všetky bezpečnostné varovania, pokyny, obrázky

a špecifikácie dodávané s týmto elektrickým náradím. Nedodržanie všetkých pokynov môže mať za následok zásah elektrickým prúdom, vznik požiaru a/alebo vážnu ujmu na zdraví.

Všetky upozornenia a pokyny si odložte na budúce použitie.

Pojem „elektrické náradie“ v texte upozornení označuje vaše elektrické náradie napájané z elektrickej siete (s pripojeným napájacím káblom) alebo z batérie (bezdrôtové).

### 1) Bezpečnosť pracovnej oblasti

- Pracovnú oblasť uchováajte v čistote a zabezpečte riadne osvetlenie.** Zapratané alebo neosvetlené oblasti sú častou príčinou úrazov.
- Elektrické náradie nepoužívajte vo výbušných atmosférach, napr. v prípade prítomnosti horľavých kvapalín, plynov alebo prachu.** Elektrické náradie tvorí iskry, ktoré môžu spôsobiť vznietenie prachu alebo výparov.
- Počas práce s elektrickým náradím držte deti a okolostojace osoby v dostatočnej vzdialenosti.** Rušiacie elementy môžu spôsobiť stratu kontroly.

### 2) Elektrická bezpečnosť

- Zástrčky elektrického náradia musia pasovať do zásuvky. Nikdy žiadnym spôsobom zástrčku neupravujte. Nikdy nepoužívajte žiadne redukčné zástrčky s uzemneným**

**elektrickým náradím.** Neupravené zástrčky a vyhovujúce zásuvky znižujú riziko zásahu elektrickým prúdom.

- Vyhýbajte sa telesnému kontaktu s uzemnenými povrchmi, ako sú potrubia, radiátory, sporáky a chladničky.** Ak je vaše telo uzemnené, hrozí zvýšené riziko zásahu elektrickým prúdom.
- Elektrické náradie nevystavujte pôsobeniu dažďa ani ho neumiestňujte do vlhkých prostredí.** Voda vstupujúca do elektrického náradia zvýši riziko zásahu elektrickým prúdom.
- S káblom nemanipulujte hrubo.** Kábel nikdy nepoužívajte na prenášanie, vyťahovanie alebo odpájanie elektrického náradia zo siete. Kábel držte v dostatočnej vzdialenosti od tepelných zdrojov, oleja, ostrých hrách a pohyblivých súčastí. Poškodené alebo zamotané káble zvyšujú riziko zásahu elektrickým prúdom.
- Keď pracujete s elektrickým náradím vonku, používajte predlžovačku určenú na exteriérové použitie.** Používanie kábla určeného na exteriérové použitie znižuje riziko zásahu elektrickým prúdom.
- Ak sa práci s výkonovým nástrojom vo vlhkých priestoroch nemôžete vyhnúť, používajte napájací zdroj so zariadením na ochranu pred zvyškovým prúdom (RCD).** Používanie RCD znižuje riziko zásahu elektrickým prúdom.  
POZNÁMKA: Pojem „zariadenie na ochranu pred zvyškovým prúdom (RCD)“ sa môže nahradiť pojmom „prúdový chránič (GFCI)“ alebo „perušač zemného spojenia (ELCB)“.

### 3) Osobná bezpečnosť

- Buďte ostražití, sústreďte sa na vykonávanú činnosť a pri používaní elektrického náradia používajte zdravý rozum.** Elektrické náradie nepoužívajte, keď ste unavení, pod vplyvom drog, alkoholu alebo liekov. Aj krátky okamih nepozornosti pri používaní elektrického náradia môže mať za následok vážnu ujmu na zdraví.
- Používajte osobné ochranné prostriedky. Vždy majte nasadenú ochranu zraku.** Ochranné prostriedky (napr. protiprachová maska, protišmyková obuv, pevná pokrývka hlavy alebo ochrana sluchu) vhodné na príslušné podmienky znižia riziko ujmy na zdraví.

- c) **Zabráňte možnosti neúmyselného spustenia.** Pred pripojením náradia k napájaciemu zdroju alebo vložení akumulátorovej batérie, prípadne zdvíhaním a prenášaním náradia, sa uistite, že vypínač je vo vypnutej polohe. Prenášanie elektrického náradia s prstom na vypínači alebo privádzanie energie do elektrického náradia so zapnutým vypínačom môže byť príčinou úrazu.
- d) **Pred zapnutím elektrického náradia odstráňte nastavovací kľúč.** Kľúč ponechaný pripojený k rotačnému dielu elektrického náradia môže spôsobiť ujmu na zdraví.
- e) **Nadmerne sa nenačahujte. Neustále zachovávajte pevný postoj a udržiavajte rovnováhu.** V neočakávaných situáciách vám to zabezpečí lepšiu kontrolu nad elektrickým náradím.
- f) **Vhodne sa oblečte. Nemajte oblečené voľné odevy ani bižutériu.** Vlasy, odev a rukavice držte v dostatočnej vzdialenosti od pohybujúcich sa dielov. Voľné odevy, bižutéria a dlhé vlasy sa môžu zachytiť do pohybujúcich sa dielov.
- g) **Ak sú na pripojenie prostriedkov na extrakciu a zachytávanie prachu zabezpečené príslušné zariadenia, uistite sa, že sú správne pripojené a používajú sa náležitým spôsobom.** Zachytávanie prachu prispieva k zníženiu rizík spojených s prašnosťou prostredia.
- 4) Používanie elektrického náradia a náležitá starostlivosť**
- a) **Elektrické náradie nepoužívajte nadmernou silou. Na každé použitie zvolte náležité elektrické náradie.** Vhodné elektrické náradie vykoná prácu lepšie a bezpečnejšie pri intenzívnej činnosti, pre ktorú bolo navrhnuté.
- b) **Elektrické náradie nepoužívajte, ak ho nemožno zapnúť a vypnúť pomocou vypínača.** Každé elektrické náradie, ktoré nemožno ovládať vypínačom, predstavuje hrozbu a musí sa opraviť.
- c) **Pred uskutočnením akýchkoľvek zmien, výmenou príslušenstva alebo uskladnením odpojte zástrčku od napájacieho zdroja a/alebo vyberte akumulátorovú batériu.** Takéto preventívne bezpečnostné opatrenia znižujú riziko neúmyselného uvedenia elektrického náradia do prevádzky.
- d) **Nepoužívané elektrické náradie držte mimo dosahu detí a nedovoľte osobám bez skúseností s jeho používaním a znalosti týchto pokynov používať toto elektrické náradie.** Elektrické náradie je v rukách nezaškolených používateľov hrozbou.
- e) **Zabezpečte vhodnú údržbu elektrického náradia. Skontrolujte, či pohyblivé diely nie sú nesprávne zarovnané alebo nezapierajú, či niektoré súčasti nie sú zlomené, prípadne či nespozorujete ďalšie problémové javy, ktoré môžu mať vplyv na obsluhu elektrického náradia. V prípade poškodenia si pred použitím nechajte elektrické náradie opraviť.** Príčinou mnohých nehôd je elektrické náradie v nevhodnom technickom stave.
- f) **Rezné náradie uchovávajte ostré a čisté.** Rezné náradie v náležitom technickom stave s ostrými reznými hranami vykazuje nižšie riziko zaseknutia a ľahšie sa s ním pracuje.
- g) **Elektrické náradie, príslušenstvo a nástavce atď. používajte v súlade so znením týchto pokynov a berte ohľad na pracovné podmienky a povahu vykonávaných prác.** Používanie elektrického náradia na iné účely ako sú tie, na ktorých výkon bolo navrhnuté, môže používateľa vystaviť nebezpečným situáciám.
- 5) Používanie batériou napájaného nástroja a náležitá starostlivosť**
- a) **Nabíjajte len nabíjačkou špecifikovanou výrobcom.** Nabíjačka vhodná pre jeden typ akumulátorovej batérie môže vyvolať riziko vzniku požiaru pri používaní s inou akumulátorovou batériou.
- b) **Elektrické náradie používajte len v kombinácii so špecificky stanovenými akumulátorovými batériami.** Používanie iných akumulátorových batérií môže spôsobiť riziko ujmy na zdraví a vzniku požiaru.
- c) **Keď sa akumulátorová batéria nepoužíva, držte ju v dostatočnej vzdialenosti od kovových predmetov, ako sú spinky na papier, mince, kľúče, klince a iné drobné kovové predmety, ktoré môžu prepojiť jeden pól s druhým.** Vzájomné skratovanie pólov batérie môže spôsobiť popálenie alebo požiar.
- d) **Pri násilnom zaobchádzaní môže z batérie uniknúť kvapalina; predchádzajte kontaktu. Ak dôjde k neúmyselnému kontaktu, op-**

láchnite vodou. Ak sa kvapalina dostane do očí, vyhľadajte lekársku pomoc. Kvapalina unikajúca z batérie môže spôsobiť podráždenie a popáleniny.

## 6) Servis

- a) **Svoje elektrické náradie si nechávajte opravovať len u kvalifikovaného opravára s použitím identických náhradných dielov.** Tým zaručíte zachovanie bezpečnosti elektrického náradia.

### Elektrická bezpečnosť:

Je potrebné dodržiavať skutočnosť, že žiadna kvapalina nesmie smerovať priamo na elektrické zariadenia a zariadenia obsahujúce elektrické komponenty. Pri nesprávnom používaní alebo pri poškodení batérií môže z batérií vystreknúť horľavá kvapalina. Je potrebné vyhnúť sa kontaktu s touto kvapalinou. Ak dôjde k neúmyselnému kontaktu, opláchnite vodou. Ak sa kvapalina dostane do kontaktu s očami, vyhľadajte lekársku pomoc.

- Nikdy neotvárajte tlakový postrekovač ani neodskrutkujte trysku, keď je tlakový postrekovač stále pod tlakom. Aby sa predišlo zraneniu, nikdy nepripájajte tlakový postrekovač k vzduchovému kompresoru.
- Pred vytiahnutím poistného ventilu držte tlakový postrekovač vždy vo zvislej polohe. Pri postrekovaní insekticídmi, herbicídmi a fungicídmi alebo inými kvapalnými prípravkami na ochranu rastlín musíte dodržiavať všetky osobitné bezpečnostné opatrenia stanovené výrobcom používaného produktu.



*Pred otvorením nádrže tlakového postrekovača dôkladne uvoľnite tlak vytiahnutím poistného ventilu.*

**NEBEZPEČENSTVO! Malé časti sa môžu ľahko prehltnúť. Existuje tiež riziko, že polyetylénová taška môže udusiť batolátá. Pri montáži produktu udržiajte batolátá v dostatočnej vzdialenosti.**

### Prevádzková bezpečnosť:

**UPOZORNENIE:** Nádrž sa môže naplniť maximálne 5 litrami kvapaliny.

- Pred každým použitím tlakový postrekovač vizuálne skontrolujte.
- Nikdy nenechávajte tlakový postrekovač bez dozoru a neskladujte ho dlhodobo, keď je plný a pod tlakom.
- Zariadenie udržiajte mimo dosahu detí. Zodpovedáte za bezpečnosť ostatných osôb.
- Tlakový postrekovač uchovávajte mimo dosahu zdrojov tepla a horúceho prostredia.
- Ručne pevne naskrutkujte rukoväť čerpadla (nepoužívajte náradie) a uistite sa, že tesniaci krúžok je správne umiestnený.
- Spínač Zap./vyp. sa môže prepnúť do polohy „I“ len vtedy, keď je rukoväť čerpadla naskrutkovaná na nádobu.
- Batériu nabíjajte len pri teplote okolia od 0 °C do + 40 °C. Ak je teplota batérie mimo povoleného teplotného rozsahu nabíjania, batériu nie je možné nabíjať. Batéria sa nabíja hneď po dosiahnutí povoleného teplotného rozsahu.

### Bezpečnosť pri čistení:

- Po každom použití uvoľnite tlak, vyprázdňte nádobu, opatrne ju vyčistite a opláchnite čistou vodou. Potom nechajte tlakový postrekovač otvorený a nechajte ho vyschnúť.
- Zvyšky kvapalín nevyliievajte do kanalizácie (miestnych systémov na likvidáciu odpadu).
- Pred použitím iného produktu tlakový postrekovač vždy vyčistite, aby ste zabránili chemickým reakciám.
- Pri používaní viacerých tlakových postrekovačov sa nádrže a striekacie trysky medzi nimi nesmú vymieňať.

### Bezpečnosť pri skladovaní:

- Pred uskladnením uvoľnite uzáver nádrže a tlakový postrekovač vždy úplne vyprázdňte (aj po vyčistení vodou).
- Skladujte mimo dosahu mrazu.
- Tlakový postrekovač prenášajte za nosný popruh alebo rukoväť.
- Uistite sa, že je produkt chránený pred priamym slnečným svetlom. Produkt sa môže zohriať.

## 2. INFORMÁCIE O ZARIADENÍ

### Cieľové použitie

Tlakový postrekovač je určený na rozstrekovanie kvapalín bez rozpúšťadiel, napríklad: pesticídov<sup>1</sup>, herbicídov<sup>1</sup>, hnojív<sup>1</sup> a čističov okien<sup>1</sup> v domácich záhradách a na pozemkoch.

Nesmie sa používať na verejných miestach, v parkoch, na športoviskách ani v poľnohospodárstve či lesníctve. Dodržiavanie špecifikácií uvedených v tomto návode na použitie je podmienkou správneho používania tlakového postrekovača.



### Varovanie

1. Na rozstrekovanie horľavých materiálov nepoužívajte rozprašovače.
2. Uvedomte si všetky nebezpečenstvá, ktoré predstavuje materiál, ktorý sa strieka, a prečítajte si označenie na nádobe alebo informácie poskytnuté výrobcom materiálu, ktorým sa má postrekovať.
3. Nevykonávajte postrek žiadnym materiálom, ktorého riziká nie sú známe.
4. Rozprašovače nečistite horľavými rozpúšťadlami.

<sup>1</sup> Podľa zákona o ochrane rastlín, ako aj zákona o detergentoch a čistiacich prostriedkoch sa môžu používať len schválené prostriedky (autorizovaní špecializovaní predajcovia).

### TECHNICKÉ ŠPECIFIKÁCIE

Č. modelu	PSM1044
Max. kapacita	5 L
Napätie	4 V
Pripojenie USB	Typu C
Dĺžka rozprašovacej rúrky (vrátane rukoväti)	15 – 50 CM
Doba prevádzky	2 hodiny
Doba nabíjania	2 hodiny
Tlakový výstup	0,3 l/min
Maximálna prevádzková teplota vody	60 °C
Akustický tlak (Lpa)	52,8 + 3 dB(A)
Akustický výkon (Lwa)	63,8 + 3 dB(A)
Vibrácie	0,205 + 1,5 m/s <sup>2</sup>

### Hladina vibrácií

Deklarovaná celková hodnota vibrácií sa merala v súlade so štandardnou testovacou metódou EN 60745-1 a EN50580 a môže sa použiť na vzájomné porovnanie;

Deklarovaná celková hodnota vibrácií sa môže použiť aj pri prípravnom hodnotení expozície.

- Emisia vibrácií počas skutočného používania elektrického náradia sa môže odlišovať od deklarovanej celkovej hodnoty v závislosti od spôsobov, v ktorých sa náradie používa.
- Bezpečnostné opatrenia na ochranu operátora, ktoré vychádzajú z odhadu expozície v skutočných podmienkach používania (s ohľadom na všetky časti prevádzkového cyklu, ako napríklad časy, keď je náradie vypnuté a keď beží na prázdne otáčky, okrem času spúšťania) musia byť určené.

### POPIS

Čísla uvedené v texte sa odvolávajú na diagramy na stranách 2 – 4.

1. Postrekovač
2. Uzatváracia matica trysky
3. Krátka tryska
4. Nadstavec na dlhú dýzu
5. Hadica
6. Nádrž
7. Rukoväť nádrže
8. Krúžok nádrže
9. Poistný ventil
10. Nosný popruh
11. Nabíjací kábel (súčasť balenia)
12. Indikátor nabíjania
13. Hlavný vypínač
14. Filter hadice
15. Indikátor batérie
16. Priestor na odloženie trysiek
17. Indikátor hladiny kvapaliny

## 3. MONTÁŽ

### Trysky

#### Obr. B

Pri prvom použití je krátka tryska (3) nasadená na postrekovači (1)

- Odstráňte uzatváraciu maticu trysky (2).



- Odstráňte a vymeňte krátku (3) alebo nadstavec na dlhú dýzu (4).
- Nasadíte uzatváraciu maticu trysky (2) a utiahnite ju rukou.



Skontrolujte, či je hadica (5) stále dobre pripojená k postrekovaču (1) a ku krúžku nádrže (8). V prípade potreby matice utiahnite rukou.

#### Nosný popruh

- Pripojte nosný popruh k nádrži.

## 4. OBSLUHA

### Nabíjanie postrekovača

#### Obr. C

Zapojte kábel nabíjačky (súčasť balenia) do adaptéra (nie je súčasťou balenia).

- Kábel nabíjačky (11) zapojte do postrekovača.
- Zapojte zástrčku nabíjačky do elektrickej zásuvky. Po niekoľkých sekundách sa rozsvieti indikátor nabíjačky (12) a zobrazí stav nabíjania.

Úplné nabitie batérie môže trvať až 2 hodiny.

### Kontrola stavu batérie

#### Obr. D

Keď stlačíte spínač Zap./vyp. (13), indikátor batérie (15) zobrazí zostávajúce nabitie batérie. Indikátor batérie (15) má dve kontrolky, ktoré zobrazujú zostávajúce nabitie batérie. Čím viac kontroliek svieti, tým väčšia kapacita batérie je k dispozícii.

Keď svieti jedna kontrolka, znamená to, že batéria je takmer vybitá a mala by sa nabiť.

### Postrekovanie kvapalinou

#### Obr. E

**Poznámka:** Dodržiavajte bezpečnostné pokyny a pokyny na dávkovanie poskytnuté výrobcom výrobku, ktorý budete striekať.

1. Vytiahnite bezpečnostný poistný ventil (9). Pozrite si obr. E1.
2. Odskrutkujte rukoväť nádrže (7) a naplňte nádrž (6). Pozrite si obr. E2.  
\* V prípade potreby pridajte ďalšiu kvapalinu.

3. Naskrutkujte rukoväť nádrže (7) späť na nádrž (6).



Skontrolujte, či je hadica (5) stále dobre pripojená k postrekovaču (1) a ku krúžku nádrže (8). V prípade potreby matice utiahnite rukou.

4. Začnite postrekovať stlačením a podržaním spínača Zap./vyp. (13) na postrekovači.
5. Po skončení postrekovania uvoľnením tlačidla zastavte postrekovanie

### Nastavenie postrekovania z hrotu trysky

#### Obr. E4

Voda môže z hrotu trysky (3 + 4) striekať buď lineárne, alebo v tvare ventilátora. Najprv zapnite postrekovač a potom nastavte hrot trysky otáčaním v smere a proti smeru hodinových ručičiek. Tak, ako je to znázornené na obr. E4.

### Indikátor hladiny kvapaliny (17)

Na nádrži (6) sa nachádza priehľadná čiara, ktorá zobrazuje hladinu kvapaliny v nádrži. Môže sa použiť aj ako odmerka s označením v litroch.

## 5. ÚDRŽBA

### Čistenie

Po vykonaní postrekovania tlakový postrekovač vždy vyčistite. Tlakový postrekovač používajte len s čistou vodou (prípadne s prídavkom čistiacieho prostriedku na riad) a striekajte naprázdno. Vyčistia sa ventily, postrekovač (1), trysky (3 + 4), hadica (5) a filter hadice (14) vo vnútri nádrže.

Vytiahnutím bezpečnostného poistného ventilu (9) zistíte, či nedošlo k upchatiu, aby sa zaistila bezproblémová prevádzka.

### Uskladnenie

#### Obr. F1, F2

- Postrekovač nasadíte na držiak umiestnený na krúžku nádrže. Tak, ako je to znázornené na obr. F1.
- Trysku, ktorá nie je pripojená k postrekovaču, možno uložiť do priestoru na odloženie trysiek (16) tak, ako je to znázornené na obr. F2.



*Tlakový postrekovač skladujte na mieste chránenom pred mrazom.*

## 6. RIEŠENIE PROBLÉMOV

### Vyčistenie filtra hadice:

Odskrutkujte rukoväť nádrže a vyberte hadicu vo vnútri nádrže. Vyčistite filter. Po vyčistení nasadte pripojený filter späť na hadicu nádrže a hadicu vo vnútri nádrže.

### V nádrži je kvapalina, ale postrekovač nepostrekuje.

- Skontrolujte, či je postrekovač plne nabitý
- Skontrolujte, či sú všetky hadice (aj vo vnútri nádrže) správne pripojené. V prípade potreby ich znovu pripojte a utiahnite potrebné matice.
- Uvoľnite tlak vytiahnutím poistného ventilu.

## ŽIVOTNÉ PROSTREDIE

Aby sa predišlo poškodeniu pri preprave, prístroj sa dodáva v pevnom obale, ktorý je vyrobený prevažne z recyklovateľného materiálu. Preto sa, prosím, rozhodnite pre recykláciu obalu.



*Symbol preškrtnutej nádoby na odpad znamená, že tento výrobok sa nesmie likvidovať s bežným komunálnym odpadom. Elektronické a elektrické zariadenia, ktoré nebudú likvidované procesom selektívneho triedenia, predstavujú z dôvodu prítomnosti nebezpečných látok potenciálne nebezpečenstvo pre životné prostredie a ľudské zdravie. Zlikvidujte ich zodpovedne cez schválené zariadenia na uloženie alebo recykláciu odpadu.*

### Len pre krajiny ES

Elektrické náradie nelikvidujte ako súčasť komunálneho odpadu. Podľa Európskej smernice 2012/19/EU o vyradených elektrických a elektronických zariadeniach a jej implementácie do národného práva sa elektrické náradie, ktoré je viac nepoužiteľné, musí zberať ako separovaný odpad a likvidovať ekologickým spôsobom.

## ZÁRUKA

Produkty značky FERM sa vyvíjajú podľa najvyšších štandardov kvality a vzťahuje sa na ne záruka na chyby materiálu a spracovania po zákonne stanovenú dobu, ktorá začína plynúť dňom pôvodného nákupu. Ak v priebehu tohto obdobia dôjde k poruche z dôvodu chybného materiálu a/alebo spracovania, kontaktujte priamo predajcu FERM.

Z tejto záruky sú vylúčené nasledujúce okolnosti:

- Neautorizované servisné strediská vykonali alebo sa pokúsili vykonať opravy alebo zmeny.
- Bežné opotrebenie.
- Nesprávne použitie, neoprávnené použitie alebo nesprávna údržba náradia.
- Použitie neoriginálnych náhradných dielov.

Táto záruka predstavuje jedinú výslovnú alebo implicitnú záruku poskytovanú spoločnosťou. Neexistujú žiadne ďalšie výslovné ani implicitné záruky, ktoré by presahovali rámec tejto zmluvy, vrátane predpokladaných záruk obchodovateľnosti a vhodnosti na konkrétny účel. Spoločnosť FERM v žiadnom prípade nezodpovedá za akékoľvek náhodné alebo následné škody. Nápravné prostriedky predajcov sa obmedzujú na opravu alebo výmenu nevyhovujúcich zariadení alebo dielov.

**Produkt a používateľská príručka podliehajú zmenám. Špecifikácie sa môžu zmeniť bez predchádzajúceho upozornenia.**

**PULVERIZADOR A PRESIÓN 5 L - 4 V  
PSM1044**

**Gracias por comprar este producto de FERM.** Ahora dispone de un excelente producto, suministrado por uno de los principales proveedores de Europa. Todos los productos suministrados por Ferm son fabricados de acuerdo con los más elevados estándares de rendimiento y seguridad. Como parte de nuestra filosofía, proporcionamos también un excelente servicio al cliente, respaldado por nuestra garantía integral. Esperamos que disfrute del uso de este producto durante muchos años.



No arroje la batería al agua.



No tire el producto en contenedores inadecuados.



Efectúe la recogida selectiva de la batería de iones de litio.



El producto es conforme a las normas de seguridad aplicables establecidas en las directivas europeas.

**1. INSTRUCCIONES DE SEGURIDAD**



**Lea las advertencias de seguridad, las advertencias de seguridad adicionales y las instrucciones adjuntas.** Si no respeta las advertencias de seguridad y las instrucciones, pueden ocasionarse descargas eléctricas, incendios y/o lesiones graves. **Guarde las advertencias de seguridad y las instrucciones para su futura consulta.**

En el manual de usuario y en el producto se emplean los siguientes símbolos:



Denota riesgo de lesiones personales, muerte o daños al calefactor en caso de incumplimiento de las instrucciones de la presente manual.



Indica peligro de descarga eléctrica.



Use mascarilla contra el polvo.



Use gafas de seguridad.



Proteja el aparato contra el hielo.



No arroje la batería al fuego.



**ADVERTENCIA.** Lea las advertencias de seguridad, las instrucciones, las ilustraciones y las especificaciones suministradas con la herramienta eléctrica. Si no sigue las instrucciones detalladas abajo, pueden producirse descargas eléctricas, incendios y/o lesiones graves.

**Guarde todas las advertencias y las instrucciones para su futura consulta.**

El término "herramienta eléctrica" de las advertencias se refiere a la herramienta eléctrica alimentada por la red (con cable) o alimentada a batería (sin cable).

- 1) Seguridad en el área de trabajo**
  - a) **Mantenga el área de trabajo limpia y bien iluminada.** Las áreas desordenadas u oscuras favorecen los accidentes.
  - a) **No utilice herramientas eléctricas en atmósferas explosivas, como en presencia de líquidos, gases o polvos inflamables.** Las herramientas eléctricas generan chispas que pueden encender el polvo o los humos.
  - a) **Mantenga alejados a los niños y a otras personas cuando utilice una herramienta eléctrica.** Las distracciones pueden causar pérdidas de control.
- 2) Seguridad eléctrica**
  - a) **Los enchufes de las herramientas eléctricas deben coincidir con la toma de corriente.**

**te. Nunca modifique el enchufe de ningún modo. No utilice ningún enchufe adaptador con las herramientas eléctricas con toma de tierra (puesta a masa).** Los enchufes no modificados y las tomas de corriente que correspondan reducen el riesgo de descarga eléctrica.

- b) **Evite el contacto del cuerpo con superficies conectadas a tierra o a masa, como tubos, radiadores, cocinas y refrigeradores.** Existe un mayor riesgo de descarga eléctrica si su cuerpo está conectado a tierra o puesto a masa.
- c) **No esponga las herramientas eléctricas a la lluvia ni a la humedad.** Si entra agua en una herramienta eléctrica, aumenta el riesgo de descarga eléctrica.
- d) **No maltrate el cable. No utilice nunca el cable para transportar, tirar o desenchufar la herramienta eléctrica. Mantenga el cable alejado del calor, el aceite, los cantos vivos y las piezas móviles.** Los cables dañados o enredados aumentan el riesgo de descarga eléctrica.
- e) **Cuando utilice una herramienta eléctrica en exteriores, utilice un cable prolongador adecuado para uso en exteriores.** Usar un cable adecuado para exteriores reduce el riesgo de descarga eléctrica.
- f) **Si el uso de una herramienta eléctrica en un entorno húmedo es inevitable, utilice un suministro protegido con un dispositivo diferencial residual (DDR).** El uso de un DDR reduce el riesgo de descarga eléctrica.  
 NOTA: El término "dispositivo diferencial residual (DDR)" puede ser sustituido por el término "interruptor del circuito de fallos de conexión a tierra (GFCI)" o "disyuntor de circuito de fugas a tierra (ELCB)".

### 3) Seguridad personal

- a) Esté atento, tenga cuidado con lo que hace y aplique el sentido común cuando utilice una herramienta eléctrica. **No utilice herramientas eléctricas si está cansado o bajo el efecto de drogas, alcohol o medicamentos.** Un momento de desatención mientras utiliza las herramientas eléctricas puede causar lesiones personales graves.
- b) **Use equipo de protección individual. Use siempre protectores oculares.** Los equipos

de protección, como la máscara antipolvo, el calzado de seguridad antideslizante, el casco o la protección auditiva, utilizados en las condiciones adecuadas, reducen las lesiones personales.

- c) **Evite arranques involuntarios. Compruebe que el interruptor esté en la posición de apagado antes de conectar la herramienta a la fuente de alimentación y/o a la batería, y antes de cogerla o transportarla.** Transportar herramientas eléctricas con el dedo puesto sobre el interruptor o enchufarlas con el interruptor encendido puede causar accidentes.
- d) **Retire cualquier llave de ajuste o llave de tuercas antes de encender la herramienta eléctrica.** Si se deja cualquier tipo de llave puesta en una pieza giratoria de la herramienta eléctrica, pueden producirse lesiones personales.
- e) **No se estire demasiado. Mantenga una posición firme y equilibrada en todo momento.** Así tendrá un mejor control de la herramienta eléctrica en situaciones imprevistas.
- f) **Vístase en modo adecuado. No use prendas sueltas ni joyas. Mantenga el cabello, la ropa y los guantes alejados de las piezas móviles.** La ropa suelta, las joyas o el cabello largo pueden quedar atrapados en las piezas móviles.
- g) **Si se proporcionan dispositivos para la conexión de aparatos de extracción y recogida de polvo, compruebe que estos estén conectados y que se utilicen correctamente.** El uso de aparatos de recogida de polvo puede reducir los riesgos relacionados con el polvo.

### 4) Uso y cuidado de la herramienta eléctrica

- a) **No fuerce la herramienta eléctrica. Utilice la herramienta eléctrica correcta para su aplicación.** Usar la herramienta eléctrica correcta y al ritmo para el que esta ha sido diseñada permite hacer mejor el trabajo y con más seguridad.
- b) **No utilice la herramienta eléctrica si no se puede encender o apagar con el interruptor.** Cualquier herramienta eléctrica que no pueda ser controlada con el interruptor es peligrosa y debe ser reparada.

- c) Desconecte el enchufe de la fuente de alimentación y/o quite la batería de la herramienta eléctrica antes de hacer cualquier ajuste, cambiar los accesorios o guardar la herramienta eléctrica. *Estas medidas de seguridad preventivas reducen el riesgo de que la herramienta eléctrica se ponga en marcha accidentalmente.*
- d) **Guarde las herramientas eléctricas inactivas fuera del alcance de los niños y no permita que las utilicen las personas no familiarizadas con las herramientas eléctricas o con estas instrucciones.** *Las herramientas eléctricas son peligrosas en manos de usuarios no capacitados.*
- e) **Efectúe el mantenimiento de las herramientas eléctricas. Compruebe si las piezas móviles están desalineadas o agrietadas, si hay piezas rotas o cualquier otra condición que pueda afectar al funcionamiento de la herramienta. En caso de que la herramienta esté dañada, hágala reparar antes de usarla.** *Muchos accidentes son causados por herramientas eléctricas mal mantenidas.*
- f) **Mantenga las herramientas de corte afiladas y limpias.** *Las herramientas de corte bien mantenidas y con bordes de corte afilados tienen menos probabilidades de atascarse y son más fáciles de controlar.*
- g) **Utilice la herramienta eléctrica, los accesorios y las brocas, etc. de acuerdo con estas instrucciones, teniendo en cuenta las condiciones de trabajo y el trabajo a realizar.** *El uso de la herramienta eléctrica para operaciones diferentes a las previstas puede causar situaciones peligrosas.*
- 5) Uso y cuidado de la herramienta de batería**
- a) **Recargue la herramienta solo con el cargador especificado por el fabricante.** *Un cargador apto para un tipo de batería puede ocasionar riesgos de incendio si se usa con otro paquete de baterías.*
- b) **Use las herramientas eléctricas solo con las baterías especialmente diseñadas.** *El uso de cualesquiera otros paquetes puede ocasionar riesgo de lesiones e incendios.*
- c) **Cuando no use la batería, manténgala alejada de otros objetos metálicos tales como grapas de papel, monedas, llaves, clavos,**

**tornillos u otros objetos metálicos pequeños que puedan poner en conexión los terminales entre sí.** *Poner en cortocircuito los terminales de la batería puede ocasionar quemaduras o incendios.*

- d) **En condiciones de uso indebido, la batería puede perder líquido; en ese caso evite el contacto. En caso de contacto accidental, aclare con agua. Si el líquido entra en contacto con los ojos, además consulte a un médico.** *El líquido que expulsa la batería puede causar irritaciones o quemaduras.*

#### 6) Reparaciones

- a) **Haga reparar su herramienta eléctrica por una persona cualificada, que use solo piezas de repuesto idénticas.** *Esto garantiza que se mantenga la seguridad de la herramienta eléctrica.*

#### Seguridad eléctrica:

No dirija ningún líquido directamente hacia dispositivos y equipos eléctricos que contengan componentes eléctricos. Si las baterías se utilizan en modo incorrecto o están dañadas, puede emitir líquido inflamable. Debe evitarse el contacto con este líquido. En caso de contacto accidental, aclare con agua. Si el líquido entra en contacto con los ojos, consulte a un médico.

- No abra nunca el pulverizador a presión ni desenrosque la boquilla cuando el pulverizador aún está bajo presión. Para evitar lesiones, nunca conecte nunca el pulverizador a presión a un compresor de aire.
- Mantenga siempre el pulverizador a presión en posición vertical antes de tirar de la válvula de seguridad. Cuando pulverice insecticidas, herbicidas y fungicidas u otros productos fitosanitarios líquidos, debe respetar todas las medidas de precaución especiales especificadas por el fabricante del producto que vaya a pulverizar.



*Antes de abrir el depósito del pulverizador a presión, libere completamente la presión tirando de la válvula de seguridad.*

**¡PELIGRO! Contiene piezas pequeñas pueden ingerirse fácilmente. También existe el riesgo**

**de que la bolsa de polietileno cause asfixia a niños pequeños. Mantenga a los niños pequeños alejados cuando monte el producto.**

#### Seguridad durante el uso:

**PRECAUCIÓN:** El depósito puede llenarse con un máximo de 5 litros de líquido.

- Controle visualmente el pulverizador a presión antes de cada uso.
- No deje nunca su pulverizador a presión sin vigilancia y no lo guarde durante mucho tiempo si esté lleno y presurizado.
- Mantenga la unidad fuera del alcance de los niños. Usted es responsable de la seguridad de los demás.
- Mantenga el pulverizador a presión alejado de fuentes de calor y entornos calientes.
- Enrosque bien el asa de la bomba a mano (no utilice herramientas) y compruebe que la junta tórica esté colocada correctamente.
- El interruptor de encendido/apagado puede ponerse en "I" solo cuando el asa de la bomba está enroscada en el depósito.
- Cargue la batería únicamente a una temperatura ambiente comprendida entre 0 °C y + 40 °C. Si la temperatura de la batería está fuera del intervalo de temperatura de carga permitido, la batería no se carga. Tan pronto como alcanza el intervalo de temperatura permitido, la batería se carga.

#### Seguridad durante la limpieza:

- Libere la presión después de cada uso, vacíe el depósito, límpielo con cuidado y aclárelo con agua limpia. Después deje el pulverizador a presión abierto para que se seque.
- No elimine los líquidos residuales en el sistema de alcantarillado (sistemas locales de eliminación).
- Limpie siempre el pulverizador a presión antes de utilizar un producto diferente, para evitar reacciones químicas.
- Cuando utilice varios pulverizadores a presión, no intercambie los depósitos y las boquillas de pulverización.

#### Seguridad para el almacenamiento:

- Antes de guardar el pulverizador a presión, afloje el tapón del depósito y vacíelo siempre completamente (también después de limpiarlo con agua).

- Guárdelo en un lugar protegido contra las heladas.
- Transporte el pulverizador a presión por la correa de transporte o el asa.
- Asegúrese de que el producto esté protegido de la luz solar directa. El producto puede calentarse.

## 2. INFORMACIÓN SOBRE LA MÁQUINA

#### Uso previsto

El pulverizador a presión ha sido concebido para pulverizar líquidos sin disolventes, como, por ejemplo, pesticidas<sup>1</sup>, herbicidas<sup>1</sup>, fertilizantes<sup>1</sup> y limpiacristales<sup>1</sup>, y para pulverizar jardines domésticos y huertos.

No debe utilizarse en lugares públicos, parques, estadios deportivos, ni en agricultura o silvicultura. El cumplimiento de las especificaciones de este manual de usuario es un requisito para el uso correcto del pulverizador a presión.



#### Advertencia

1. No utilice pistolas para pulverizar materiales inflamables.
2. Tenga en cuenta los peligros que presenta el material vaya a pulverizar y consulte las marcas del envase o la información suministrada por el fabricante del material.
3. No pulverice ningún material del cual no conozca los riesgos.
4. No limpie pistolas con disolventes inflamables.

<sup>1</sup> De acuerdo con la Ley de Protección Fitosanitaria y con la Ley de Detergentes y Productos Limpiadores, pueden utilizarse solo los productos aprobados (de distribuidores especializados autorizados).

**ESPECIFICACIONES TÉCNICAS**

<b>Modelo n.º</b>	<b>PSM1044</b>
Capacidad máx.	5 L
Voltaje	4 V
Conexión USB	Tipo C
Longitud del tubo de pulverización (incluida el asa del pulverizador)	15-50 CM
Tiempo de trabajo	2 horas
Tiempo de carga	2 horas
Salida de presión	0,3 L/Min
Temperatura máx. agua funcionamiento	60 °C
Presión acústica (Lpa)	52,8 +3 dB(A)
Potencia acústica (Lwa)	63,8 +3 dB(A)
Vibración	0,205 + 1,5 m/s <sup>2</sup>

**Nivel de vibración**

El valor total de vibración declarado ha sido medido de acuerdo con un método de prueba normalizado indicado en las normas EN 60745-1 y EN50580 y puede utilizarse para comparar herramientas entre sí;

El valor total de vibración declarado también puede utilizarse para una valoración previa de la exposición.

- La emisión de vibraciones durante el uso real de la herramienta eléctrica puede diferir del valor total declarado en función de cómo se use la herramienta.
- Es necesario identificar medidas de seguridad para proteger al operador, basadas en una estimación de la exposición en las condiciones reales de uso (teniendo en cuenta todas las partes del ciclo de funcionamiento, como el tiempo en que la herramienta está apagada y cuando funciona en vacío, además del tiempo de disparo).

**DESCRIPCIÓN**

Los números del texto se refieren a los diagramas de las páginas 2-4.

1. Pulverizador
2. Tuerca de cierre de la boquilla
3. Boquilla corta
4. Extensión para boquilla larga
5. Manguera
6. Depósito
7. Asa del depósito
8. Anillo del depósito
9. Válvula de seguridad
10. Correa de transporte

11. Cable de carga (incluido)
12. Luz indicadora de carga
13. Interruptor de encendido/apagado
14. Filtro de la manguera
15. Luz indicadora de carga de la batería
16. Almacenamiento de boquillas
17. Indicador de nivel de líquido

**3. MONTAJE****Boquillas****Fig. B**

La boquilla corta (3) está montada en el pulverizador (1) para el primer uso.

- Retire la tuerca de cierre de la boquilla (2).
- Retire y sustituya la boquilla corta (3) o extensión para boquilla larga (4).
- Coloque la tuerca de cierre de la boquilla (2) y apriétela a mano.



*Compruebe si la manguera (5) está bien conectada al pulverizador (1) y al anillo del depósito (8), y si es necesario apriete las tuercas a mano.*

**Correa de transporte**

- Coloque la correa de transporte en el depósito.

**4. FUNCIONAMIENTO****Carga del pulverizador****Fig. C**

Enchufe el cable del cargador (suministrado) en un adaptador (no suministrado).

- Enchufe el cable del cargador (11) en el pulverizador.
- Enchufe el enchufe del cargador en una toma de corriente, en unos segundos se encenderá la luz indicadora del cargador (12) y mostrará el estado de carga.

Cargar totalmente la batería puede llevar hasta 2 horas.

### Comprobación del estado de carga de la batería

#### Fig. D

Cuando se pulsa el botón de encendido/apagado (13), la luz indicadora de carga de la batería (15) muestra la carga restante de la batería.

La luz indicadora de la batería (15) tiene dos luces que indican el nivel restante de carga. Cuantas más luces encendidas haya, más carga le queda a la batería.

Cuando hay una luz encendida, la batería está casi vacía y debe cargarse.

### Para rociar un líquido

#### Fig. E

**Nota:** Respete las instrucciones de seguridad y dosificación indicadas por el fabricante del producto que vaya a pulverizar.

1. Tire de la válvula de seguridad (9). Consulte la Fig. E1
2. Desenrosque el asa del depósito (7) y llene el depósito (6). Consulte la Fig. E2.  
\* Si es necesario, añada un aditivo líquido.
3. Vuelva a enroscar el asa del depósito (7) en el depósito (6).



*Compruebe si la manguera (5) está bien conectada al pulverizador (1) y al anillo del depósito (8), y si es necesario apriete las tuercas a mano.*

4. Para pulverizar, pulse y mantenga pulsado el interruptor de encendido/apagado (13) del pulverizador.
5. Después de pulverizar, suelte el botón del pulverizador para pararlo.

### Ajuste la pulverización usando la punta de la boquilla.

#### Fig. E4

Con la punta de la boquilla (3+4) pueden pulverizarse los líquidos en modo lineal o en forma de abanico. Primero encienda el pulverizador y después ajuste la punta de la boquilla girándola en sentido horario. Como se muestra en la Fig. E4.

### Indicador de nivel de líquido (17)

El depósito (6) tiene una línea transparente que muestra el nivel de líquido en el depósito.

También puede usarse como vaso medidor, indicado por litro.

## 5. MANTENIMIENTO

### Limpieza

Limpie siempre su pulverizador a presión después de pulverizar. Use solo con agua limpia (posiblemente con detergente para vajillas) y pulverice en vacío. Se limpiarán las válvulas, el pulverizador (1), las boquillas (3+4), la manguera (5) y el filtro de la manguera (14) y el interior del depósito.

Tire de la válvula de seguridad (9) para ver si tiene alguna obstrucción que impida el buen funcionamiento.

### Almacenamiento

#### Fig. F1, F2

- Coloque el pulverizador en el soporte colocado en el anillo del depósito. Como se muestra en la Fig. F1
- Las boquillas que no estén colocadas en el pulverizador pueden guardarse en el depósito de boquillas (16), como se muestra en la Fig. F2.



*Guarde el pulverizador a presión en un lugar libre de heladas.*

## 6. SOLUCIÓN DE PROBLEMAS

### Para limpiar el filtro de la manguera:

Desenrosque el asa del depósito y retire la manguera del interior del depósito. Limpie el filtro. Después de la limpieza, vuelva a colocar el filtro en la manguera del tanque, y la manguera dentro del tanque.

### Hay líquido en el depósito, pero el pulverizador no pulveriza.

- Compruebe si el pulverizador está completamente cargado.



- Compruebe si todas las mangueras (también las del interior del depósito) están bien conectadas, si es necesario vuelva a conectarlas y apriete las tuercas necesarias.
- Alivie la presión tirando de la válvula de seguridad.

## MEDIOAMBIENTE

Para evitar daños al aparato durante el transporte, la herramienta se entrega empacada en un embalaje resistente. Este embalaje se fabrica, en la medida de lo posible, con material reciclable. Haga uso de la posibilidad de reciclarlo.



*El símbolo del contenedor de basura tachado significa que este producto no debe eliminarse con los residuos domésticos normales. Los aparatos electrónicos y eléctricos no incluidos en el proceso de clasificación selectiva son potencialmente peligrosos para el medio ambiente y la salud humana debido a la presencia de sustancias peligrosas. Por favor, deséchelos de forma responsable en una instalación de residuos o de reciclaje autorizada.*

### Solo para países de la Comunidad Europea

No elimine las herramientas eléctricas como residuos domésticos. De acuerdo con la Directiva europea 2012/19/EU sobre residuos de aparatos eléctricos y electrónicos, y su transposición a las legislaciones nacionales, las herramientas eléctricas que ya no se utilizan deben recogerse por separado y eliminarse en modo ecológico.

## GARANTÍA

Los productos FERM han sido fabricados con los estándares de calidad más elevados y garantizamos que están exentos de defectos relacionados con los materiales y la mano de obra durante el período legalmente establecido a partir de la fecha de compra original. Si, durante este periodo, el producto presenta algún fallo de los materiales y/o la mano de obra, póngase en contacto directamente con su revendedor FERM.

Las siguientes circunstancias están excluidas de esta garantía:

- Si se han realizado o se ha intentado realizar reparaciones o alteraciones en la máquina por parte de centros de servicio no autorizados.
- Desgaste normal.
- La herramienta ha sido usada impropriamente, mal utilizada o mantenida incorrectamente.
- Si se han utilizado piezas de repuesto no originales.

Esta constituye la única garantía, expresa e implícita, ofrecida por la empresa. No existen otras garantías expresas o implícitas distintas a la especificada en el presente documento, incluidas las garantías implícitas de comerciabilidad y de adecuación a un propósito particular. FERM no será responsable bajo ninguna circunstancia de ningún daño incidental o consecuente. Los recursos de los distribuidores están limitados a la reparación o sustitución de las unidades o piezas no conformes.

**El producto y el manual de usuario están sujetos a variaciones. Las especificaciones pueden variarse sin aviso previo.**

## PULVERIZADOR DE PRESSÃO, 5 l, 4 V PSM1044

### Obrigado por ter adquirido este produto da FERM.

Ao fazê-lo, adquiriu um excelente produto, fornecido por um dos principais fornecedores da Europa. Todos os produtos fornecidos pela Ferm são fabricados de acordo com os mais elevados padrões de desempenho e segurança. Como parte da nossa filosofia, fornecemos também um excelente serviço de assistência ao cliente, apoiado pela nossa garantia abrangida. Esperamos que aprecie utilizar este produto durante muitos anos.

## 1. INSTRUÇÕES DE SEGURANÇA



**Leia os avisos de segurança fornecidos, os avisos de segurança adicionais e as instruções.** O não cumprimento dos avisos de segurança e das instruções pode resultar em choque eléctrico, incêndio e/ou ferimentos graves. **Guarde os avisos de segurança e as instruções para referência futura.**

Os seguintes símbolos são utilizados no manual do utilizador ou no produto:



Indica o risco de ferimentos, morte ou danos na ferramenta se as instruções indicadas neste manual não forem seguidas.



Indica risco de choque eléctrico.



Use uma máscara de poeiras.



Use óculos de segurança.



Proteja o equipamento do gelo.



Não deite a bateria no fogo



Não coloque a bateria dentro de água



Não elimine o produto em recipientes não adequados.



Recolha selectiva para bateria de iões de lítio.



O produto está em conformidade com as normas de segurança aplicáveis nas directivas europeias.

## AVISOS GERAIS DE SEGURANÇA SOBRE A FERRAMENTA ELÉCTRICA



### AVISO!

**Leia todos os avisos de segurança, instruções, ilustrações e especificações fornecidos com esta ferramenta eléctrica.** O não cumprimento de todas as instruções indicadas abaixo podem resultar em choque eléctrico, incêndio e/ou ferimentos graves.

**Guarde todos os avisos e instruções para referência futura.**

O termo "ferramenta eléctrica" indicado nos avisos diz respeito à ferramenta eléctrica com alimentação pela rede (com fio) ou por bateria (sem fio).

### 1) Segurança na área de trabalho

- Mantenha a área de trabalho limpa e devidamente iluminada.** As áreas obstruídas ou escuras são propícias a acidentes.
- Não utilize ferramentas eléctricas em atmosferas explosivas, por exemplo, na presença de líquidos inflamáveis, gases ou poeiras.** As ferramentas eléctricas produzem faíscas que podem causar ignição de pó ou vapores.
- Quando utilizar uma ferramenta eléctrica, mantenha as crianças e transeuntes afastados.** As distrações podem causar perda de controlo.

### 2) Segurança eléctrica

- As fichas da ferramenta eléctrica devem corresponder à tomada. Nunca modifique, de forma alguma, a ficha. Não utilize quais-**

- quer fichas adaptadoras com ferramentas eléctricas ligadas à terra (massa).** As fichas e tomadas correspondentes não modificadas reduzem o risco de choque eléctrico.
- b) **Evite o contacto do corpo com superfícies ligadas à terra ou massa, como tubos, radiadores, fogões ou frigoríficos.** Há maior risco de choque eléctrico se o corpo estiver ligado à terra ou à massa.
- c) **Não exponha as ferramentas eléctricas à chuva ou a ambientes húmidos.** A entrada de água numa ferramenta eléctrica aumenta o risco de choque eléctrico.
- d) **Não utilize o cabo de maneira abusiva. Nunca utilize o cabo para transportar, puxar ou desligar a ferramenta eléctrica. Mantenha o cabo afastado de fontes de calor, óleo, extremidades afiadas ou peças móveis.** Se os cabos estiverem danificados ou enrolados, há maior risco de choque eléctrico.
- e) **Quando utilizar uma ferramenta eléctrica no exterior, opte por uma extensão adequada para utilização no exterior.** A utilização de um cabo adequado para utilização no exterior reduz o risco de choque eléctrico.
- f) **Se não for possível evitar trabalhar com uma ferramenta eléctrica num local húmido, utilize uma fonte de alimentação protegida por um dispositivo de corrente residual (DCR).** A utilização de um DCR reduz o risco de choque eléctrico.
- NOTA: “Dispositivo de corrente residual (DCR)” pode ser substituído por “corta-circuito em caso de falha na terra (GFCI)” ou “disjuntor diferencial (ELCB)”.
- 3) Segurança eléctrica**
- a) **Esteja atento, preste atenção ao que está a fazer e tenha senso comum quando utilizar uma ferramenta eléctrica. Não utilize uma ferramenta eléctrica se estiver cansado ou sob o efeito de drogas, álcool ou medicamentos.** Um momento de distração durante a utilização de ferramentas eléctricas pode resultar em ferimentos graves.
- b) **Use equipamento de protecção individual. Use sempre protecção ocular.** O equipamento de protecção, como, por exemplo, máscara de poeiras, sapatos de segurança antiderrapantes, capacete de segurança ou protecção auditiva, utilizado nas condições adequadas, reduz o risco de ferimentos.
- c) **Evite um arranque accidental. Assegure-se de que o gatilho está desligado antes de ligar a ferramenta à corrente eléctrica e/ou a baterias e antes de levantar ou transportar a ferramenta.** O transporte de ferramentas eléctricas com o dedo colocado no gatilho ou a ligação à corrente das ferramentas eléctricas com o gatilho ligado pode dar origem a acidentes.
- d) **Retire eventuais chaves de ajuste ou chaves de fendas antes de ligar a ferramenta eléctrica.** Uma chave de fenda ou de ajuste montada numa peça rotativa da ferramenta eléctrica pode causar ferimentos.
- e) **Não tente chegar a pontos fora do alcance. Mantenha-se sempre numa posição firme e bem equilibrada.** Desta forma, será mais fácil controlar a ferramenta eléctrica em situações inesperadas.
- f) **Use vestuário adequado. Não use roupa larga ou jóias. Mantenha o cabelo, a roupa e as jóias afastados das peças móveis.** As roupas largas, as jóias ou o cabelo comprido podem ficar presos nestas peças.
- g) **Se for prevista a montagem de dispositivos de extracção e recolha de poeiras, assegure-se de que estão ligados e que são utilizados de forma correcta.** A utilização de dispositivos de extracção de poeiras pode reduzir os riscos inerentes.
- 4) Utilização e cuidados a ter com a ferramenta com baterias**
- a) **Não sobrecarregue a ferramenta eléctrica. Utilize a ferramenta eléctrica correcta para o seu trabalho.** A ferramenta eléctrica adequada efectua o trabalho de maneira mais eficiente e segura se for utilizada de acordo com a capacidade para a qual foi concebida.
- b) **Não utilize a ferramenta eléctrica se não conseguir ligar ou desligar o gatilho.** Qualquer ferramenta eléctrica que não possa ser controlada através do gatilho é perigosa e tem de ser reparada.
- c) **Retire a ficha da fonte de alimentação e/ou a bateria da ferramenta eléctrica, caso seja possível fazê-lo, antes de efectuar quaisquer ajustes, substituir acessórios ou guardar ferramentas eléctricas.** Estas medi-

das de segurança preventivas reduzem o risco de ligar a ferramenta eléctrica acidentalmente.

- d) **Mantenha as ferramentas eléctricas que não estiverem a ser utilizadas fora do alcance das crianças. Não permita que a ferramenta eléctrica seja utilizada por pessoas não familiarizadas com a mesma ou que não tenham lido estas instruções.** *As ferramentas eléctricas são perigosas nas mãos de pessoas que não possuam as qualificações necessárias para manuseá-las.*
- e) **Faça a manutenção das ferramentas eléctricas. Verifique se as peças móveis da ferramenta eléctrica estão alinhadas e não emperram, bem como se existem peças partidas ou danificadas ou quaisquer outras condições que possam afectar o funcionamento da mesma. Se a ferramenta eléctrica estiver danificada, esta só deve ser utilizada quando for reparada. Muitos acidentes têm como principal causa ferramentas eléctricas com uma manutenção insuficiente.**
- f) **Mantenha as ferramentas de corte afiadas e limpas.** *As ferramentas de corte sujeitas a uma manutenção adequada, com arestas de corte afiadas, bloqueiam com menos frequência e controlam-se com maior facilidade.*
- g) **Utilize a ferramenta eléctrica, os acessórios e as peças de ferramenta, etc., de acordo com estas instruções, considerando as condições de trabalho e a tarefa a ser executada. A utilização da ferramenta eléctrica para fins diferentes dos previstos pode resultar em situações perigosas.**
- 5) Utilização e cuidados a ter com a ferramenta com baterias**
- a) **Recarregue apenas com o carregador especificado pelo fabricante.** *Um carregador adequado para um tipo de bateria pode causar um incêndio se for utilizado com outra bateria.*
- b) **Utilize apenas ferramentas eléctricas que tenham pilhas especificamente concebidas.** *A utilização de outro tipo de baterias pode causar ferimentos e incêndio.*
- c) **Quando não utilizar a bateria, mantenha-a afastada de outros objectos metálicos, tais como cliques para papel, moedas, chaves, pregos, parafusos ou outros pequenos objectos metálicos que permitam fazer a ligação de um terminal para outro.**

*O curto-circuito dos terminais da bateria pode causar queimaduras ou um incêndio.*

- d) **Em condições abusivas, o líquido da pilha pode verter. Evite o contacto. Se tocar acidentalmente no líquido, lave bem com água. Se o líquido entrar em contacto com os olhos, consulte um médico. O líquido derramado da bateria pode causar irritação ou queimaduras.**

#### 6) Assistência

- a) **A sua ferramenta eléctrica só deve ser reparada por pessoal qualificado e só devem ser utilizadas peças sobressalentes idênticas.** *Desta forma, é garantida a segurança da ferramenta eléctrica.*

#### Segurança eléctrica:

Não deve ser apontado nenhum líquido directamente para dispositivos eléctricos e equipamento que contenha componentes eléctricos. Se for utilizado de maneira incorrecta ou se as baterias estiverem danificadas, pode ser ejectado líquido inflamável das baterias. Deve evitar o contacto com este líquido. Se tocar acidentalmente no líquido, enxágue com água. Se o líquido entrar em contacto com os olhos, são necessários cuidados médicos adicionais.

- Nunca abra o pulverizador de pressão nem desaperte o bico se o pulverizador de pressão ainda estiver sob pressão. Para evitar ferimentos, nunca ligue o pulverizador de pressão num compressor de ar.
- Segure sempre o pulverizador de pressão na vertical antes de puxar a válvula de sobrepresão. Quando pulverizar insecticidas, herbicidas, fungicidas ou outros produtos líquidos de protecção de plantas, deve respeitar todas as medidas de precaução especiais especificadas pelo fabricante do produto que utilizar.



*Antes de abrir o depósito do pulverizador de pressão, puxe a válvula de sobrepresão para libertar totalmente a pressão.*

**PERIGO!** As peças podem ser facilmente engolidas. Há também o risco da embalagem de polietileno sufocar as crianças. Quando montar o produto, mantenha as crianças afastadas.

**Segurança da exploração:**

**ATENÇÃO:** O depósito tem uma capacidade de 5 litros de líquido.

- Inspeccione o pulverizador de pressão antes de cada utilização.
- Nunca deixe o pulverizador de pressão sem vigilância e não o armazene durante períodos prolongados quando estiver cheio e sob pressão.
- Mantenha a unidade afastada do alcance das crianças. O utilizador é responsável pela segurança das outras pessoas.
- Mantenha o pulverizador de pressão afastado de fontes de calor e ambientes quentes.
- Aperte a alavanca da bomba à mão (não utilize ferramentas) e certifique-se de que a junta tórica está posicionada correctamente.
- O interruptor para ligar/desligar só pode ser colocado na posição "I" se a alavanca da bomba estiver aparafusada no recipiente.
- Carregue apenas a bateria a uma temperatura ambiente que se situe entre 0 °C e + 40 °C. Se a temperatura da bateria estiver fora do intervalo de temperatura de carregamento permissível, isso significa que a bateria não pode ser carregada. Quando for atingido o intervalo de temperaturas permitido, isso significa que a bateria está carregada.

**Segurança durante a limpeza:**

- Depois de cada utilização, liberte a pressão, esvazie o recipiente, limpe-o com cuidado e enxágue com água limpa. Em seguida, deixe o pulverizador de pressão aberto e deixe-o a secar.
- Não elimine os líquidos residuais no sistema de águas residuais (sistemas de esgotos locais).
- Limpe sempre o pulverizador de pressão antes de utilizar um produto diferente, para evitar reacções químicas.
- Quando utilizar vários pulverizadores de pressão, os depósitos e o bico de pulverização não podem ser alternados.

**Segurança de armazenamento:**

- Antes de armazenar, desaperte a tampa do depósito e esvazie sempre o pulverizador de pressão por completo (deve fazê-lo também depois de limpar com água).
- Armazene num local onde não haja formação de gelo.

- Transporte o pulverizador de pressão pela alça de transporte ou pela pega.
- Certifique-se de que mantém o produto afastado de luz solar directa. O produto pode ficar quente.

## 2. INFORMAÇÕES SOBRE A MÁQUINA

**Utilização pretendida**

O pulverizador de pressão é concebido para distribuir líquido sem solventes, por exemplo: pesticidas<sup>1</sup>, herbicidas<sup>1</sup>, fertilizantes<sup>1</sup> e produtos de limpeza de janelas<sup>1</sup> em jardins domésticos e lotes.

Não deve ser utilizado em locais públicos, parques, arenas desportivas ou em tarefas agrícolas ou de silvicultura. A conformidade com as especificações indicadas neste manual de utilização é um requisito para a utilização adequada do pulverizador de pressão.

**Aviso**

1. Não utilize pistolas para pulverizar materiais inflamáveis.
2. Esteja ciente de quaisquer perigos apresentados pelo material que vai ser pulverizado e das instruções para consultar as marcações indicadas no recipiente ou das informações fornecidas pelo fabricante do material que vai ser pulverizado.
3. Não pulverize material se não tiver noção do risco.
4. Não limpe as pistolas com solventes inflamáveis.

<sup>1</sup> De acordo com a Lei de Protecção Vegetal, bem como a Lei de Detergentes e Produtos de Limpeza, apenas podem ser utilizados produtos aprovados (revendedores especialistas autorizados).

**ESPECIFICAÇÕES TÉCNICAS**

<b>N.º do modelo</b>	<b>PSM1044</b>
Capacidade máx.	5 l
Tensão	4 V
Ligação USB	Tipo C
Comprimento do tubo de pulverização (incluindo a pega de pulverização)	15 - 50 CM
Tempo de funcionamento	2 horas
Tempo de carregamento	2 horas
Pressão de saída	0,3 l/min
Temperatura máx. de funcionamento da água	60 °C
Nível de pressão sonora (Lpa)	52,8 + 3 dB(A)
Nível de potência acústica (Lwa)	63,8 + 3 dB(A)
Vibração	0,205 + 1,5 m/s <sup>2</sup>

**Nível de vibração**

O valor total de vibrações declarado foi medido de acordo com o método de ensaio normalizado EN 60745-1 e EN50580 e pode ser utilizado para comparar ferramentas;

O valor total de vibrações declarado pode ser utilizado também numa avaliação preliminar da exposição.

- O nível de emissão de vibrações durante a utilização efectiva da ferramenta eléctrica pode ser diferente do valor total declarado, dependendo da maneira como a ferramenta for utilizada.
- Necessário para identificar medidas de segurança para proteger o utilizador que se baseiam num nível estimado da exposição nas condições efectivas de utilização (tendo em consideração todos os passos do ciclo de funcionamento, como os períodos em que a ferramenta é desligada e quando está a funcionar ao ralenti, além do tempo de accionamento).

**DESCRIÇÃO**

Os números indicados no texto dizem respeito aos diagramas nas páginas 2 e 4.

1. Pulverizador
2. Porca de fixação do bico
3. Bico curto
4. Extensão para o bico comprido
5. Tubo
6. Depósito
7. Pega do depósito
8. Anel do depósito
9. Válvula de descarga
10. Alça de transporte

11. Cabo de carregamento (incluído)
12. Luz indicadora de carregamento
13. Botão para ligar/desligar
14. Filtro da mangueira
15. Luz indicadora da bateria
16. Compartimento para arrumar bicos
17. Indicador do nível de líquido

**3. MONTAGEM****Bicos****Fig. B**

Na primeira utilização, o bico curto (3) é montado no pulverizador (1)

- Retire a porca de fixação do bico (2).
- Retire e substitua o bico curto (3) ou a extensão para o bico comprido (4).
- Coloque a porca de fixação do bico (2) e aperte à mão.



*Verifique se a mangueira (5) continua bem ligada ao pulverizador (1) e ao anel do depósito (8), se necessário aperte as porcas à mão.*

**Alça de transporte**

- Prenda a alça de transporte no depósito.

**4. FUNCIONAMENTO****Carregar o pulverizador****Fig. C**

Ligue o cabo do carregador (incluído) num adaptador (não incluído).

- Ligue o cabo do carregador (11) no pulverizador
- Ligue a ficha do carregador numa tomada eléctrica. Após alguns segundos, a luz indicadora do carregador (12) acende-se e mostra o estado de carregamento.

O carregamento total da bateria pode demorar até 2 horas.

**Verificar o estado da bateria****Fig. D**

A luz indicadora da bateria (15) mostra o nível restante da bateria quando carrega no interruptor para ligar/desligar (13).

A luz indicadora da bateria (15) tem dois indicadores luminosos que mostram o nível restante. Quanto maior for o número de luzes acesas, maior é a capacidade restante na bateria.

Quando um indicador luminoso se acende, isso significa que a bateria está a ficar sem carga e que deve carregá-la.

### Pulverizar o líquido

#### Fig. E

**Nota:** Respeite as instruções de segurança e dosagem fornecidas pelo fabricante do produto que vai pulverizar.

1. Puxe a válvula de sobrepressão (9). Consulte a Fig. E1
2. Desaperte a pega do depósito (7) e encha o depósito (6). Consulte a Fig. E2.  
\* Se necessário, adicione aditivo líquido
3. Aperte a pega do depósito (7) de novo no depósito (6).



Verifique se a mangueira (5) continua bem ligada ao pulverizador (1) e ao anel do depósito (8), se necessário aperte as porcas à mão.

4. Pressione e mantenha pressionado o interruptor para ligar/desligar (13) no pulverizador para pulverizar
5. Quando terminar a pulverização, liberte o botão no pulverizador para que este pare

### Regule o spray com a ponta do bico

#### Fig. E4

A água pode ser pulverizada para fora da ponta do bico (3+4) de maneira linear ou sob a forma de leque. Primeiro, ligue o pulverizador e, em seguida, ajuste a ponta do bico, rodando-a para a direita e para a esquerda. Como indicado na Fig. E4.

### Indicador do nível de líquido (17)

O depósito (6) tem uma linha transparente que mostra o nível do líquido no depósito. Pode ser utilizada também como copo de medição, indicado por litros.

## 5. MANUTENÇÃO

### Limpeza

Limpe sempre o pulverizador de pressão depois de pulverizar. Utilize o pulverizador de pressão apenas com água limpa (se possível adicione detergente para a louça) e pulverize sem líquido. As válvulas, o pulverizador (1), os bicos (3+4), a mangueira (5) e o filtro da mangueira (14) no interior do depósito estão limpos.

Puxe a válvula de sobrepressão (9) para verificar se existe alguma obstrução que impeça um funcionamento sem problemas.

### Armazenamento

#### Fig. F1, F2

- Coloque o pulverizador no suporte junto do anel do depósito. Como indicado na Fig. F1
- Depois de ser retirado do pulverizador, o bico pode ser armazenado no compartimento para arrumar bicos (16), como indicado na Fig. F2.



Armazene o pulverizador de pressão num local sem gelo.

## 6. RESOLUÇÃO DE PROBLEMAS

### Para limpar o filtro da mangueira:

Desaperte a pega do depósito e retire a mangueira dentro do depósito. Limpe o filtro. Depois de limpá-lo, coloque o filtro montado de novo na mangueira do depósito e a mangueira dentro do depósito.

### Há líquido no depósito, mas não sai do pulverizador.

- Verifique se o pulverizador está totalmente carregado
- Verifique se todas as mangueiras (incluindo as que estão no depósito) estão ligadas correctamente. Se necessário, ligue novamente e aperte as porcas necessárias.
- Puxe a válvula de descarga para libertar pressão.

## AMBIENTE

Para evitar danos causados durante o transporte, o equipamento é fornecido numa embalagem robusta, composta essencialmente por material reutilizável. Por conseguinte, utilize estas opções para reciclar a embalagem.



*O símbolo do contentor riscado significa que este produto não deve ser eliminado com o lixo doméstico normal. Equipamentos eletrónicos e eléctricos não incluídos no processo de triagem seletiva são potencialmente perigosos para o ambiente e para a saúde humana devido à presença de substâncias perigosas. Descarte de forma responsável numa instalação de reciclagem ou de resíduos aprovada.*

### Apenas para os países da CE

Não elimine as ferramentas eléctricas em conjunto com os resíduos domésticos. De acordo com a Orientação Europeia 2012/19/UE sobre resíduos de equipamentos eléctricos e electrónicos e a respectiva implementação na legislação nacional, as ferramentas eléctricas que já não sejam utilizadas devem ser recolhidas em separado e eliminadas de maneira ecológica.

## GARANTIA

Os produtos da FERM são desenvolvidos de acordo com os padrões de qualidade mais elevados e não têm quaisquer defeitos em termos de materiais e mão-de-obra em relação ao período estipulado por lei, cujo início é a partir da data de compra original. Se o produto apresentar qualquer falha durante este período devido a qualquer defeito no material e/ou de mão-de-obra, contacte o fornecedor da FERM directamente.

As seguintes circunstâncias estão excluídas desta garantia:

- Se forem efectuadas ou tentadas quaisquer reparações e/ou alterações na máquina por centros de assistência não autorizados.
- Desgaste normal.
- Se a ferramenta foi utilizada de maneira abusiva, indevida ou a manutenção foi efectuada de maneira incorrecta.

- Se forem utilizadas peças sobresselentes não originais

Isto constitui a única garantia feita pela empresa, de maneira expressa ou implícita. Não existem quaisquer outras garantias expressas ou implícitas que se prolonguem, incluindo as garantias implícitas de comercialização e adequação para fins específicos. A FERM não será, em nenhuma circunstância, responsável por danos incidentais ou indirectos. Os fornecedores devem estar limitados a reparar ou substituir as unidades ou peças que não estejam em conformidade.

**O equipamento e o manual do utilizador estão sujeitos a alterações sem aviso prévio. As especificações podem ser alteradas sem aviso prévio.**



## PULVERIZATOR SUB PRESIUNE 5 I - 4 V PSM1044

Vă mulțumim că ați achiziționat acest produs FERM.

Procedând astfel, aveți acum un produs excelent, livrat de unul din cei mai importanți furnizori din Europa. Toate produsele livrate de Ferm sunt fabricate respectând cele mai înalte standarde de performanță și siguranță. De asemenea, ca parte a filosofiei noastre, asigurăm servicii de asistență excelente și o garanție cuprinzătoare. Sperăm să utilizați cu plăcere acest produs în anii ce urmează.



Nu aruncați acumulatorul în apă



Nu aruncați produsul în containere neadecvate.



Colectare separată pentru acumulatorul Li-ion.



Produsul este în conformitate cu standardele de siguranță aplicabile din directivele europene.

### AVERTISMENTE GENERALE DE SIGURANȚĂ PRIVIND SCULELE ELECTRICE

#### 1. INSTRUCȚIUNI DE SIGURANȚĂ



**Citiți avertizările de siguranță, avertizările de siguranță suplimentare și instrucțiunile.** Nerespectarea avertizărilor de siguranță poate cauza producerea de electrocutări, incendii și/sau răni grave. **Păstrați manualul cu avertizările de siguranță și instrucțiunile de utilizare pentru referințe viitoare.**

În manualul de utilizare sau pe produs se utilizează următoarele simboluri:



Indică riscul de rănire personală, pierderea vieții sau deteriorarea sculei în cazul în care nu se respectă instrucțiunile din acest manual.



Indică pericolul de electrocutare.



Purtați o mască antipraf.



Purtați ochelari de protecție.



Protejați aparatul împotriva înghețului.



Nu aruncați bateria în foc



#### AVERTISMENT!

**Citiți toate avertizările de siguranță, instrucțiunile, ilustrațiile și specificațiile furnizate împreună cu această sculă electrică.** Nerespectarea tuturor instrucțiunilor enumerate mai jos poate cauza producerea de electrocutări, incendii și/sau răni grave.

**Păstrați toate avertismentele și instrucțiunile pentru consultare ulterioară.**

Termenul „sculă electrică” din avertismente se referă la scule electrice (cu fir) sau la scule electrice cu baterie (fără fir).

#### 1) Siguranța zonei de lucru

- a) **Păstrați zona de lucru curată și bine iluminată.** Zonele dezordonate sau întunecate pot duce la producerea de accidente.
- b) **Nu utilizați unelte electrice în atmosfere explozive, cum ar fi în prezența lichidelor inflamabile, gazelor sau pulberilor explozive.** Sculele electrice generează scânteii care pot declanșa explozii sau incendii.
- c) **Păstrați distanța față de copii sau alte persoane atunci când utilizați scula electrică.** Distragerea atenției poate cauza pierderea controlului.

#### 2) Siguranța electrică

- a) **Ștecherile sculelor electrice trebuie să se potrivească cu priza. Nu modificați niciodată în nici un fel mufele. Nu folosiți**

**adaptoare de priză cu scule electrice legate de pământ (împământate).** Mufele nemodificate și prizele adecvate reduc riscul de electrocutare.

- b) **Evitați contactul corpului cu suprafețele împământate precum țevi, radiatoare, cuptoare și frigidere.** Există un risc mai mare de electrocutare dacă vă este corpul împământat.
- c) **Nu expuneți sculele electrice la ploaie sau condiții de umezeală.** Apa care pătrunde într-o sculă electrică va spori riscul de electrocutare.
- d) **Nu manipulați necorespunzător cablul. Nu folosiți niciodată cablul pentru a purta, a trage sau a deconecta scula electrică. Feriți cablul de căldură, ulei, margini ascuțite sau piese mobile. Cablurile distruse sau încurcate cresc riscul de electrocutare.**
- e) **Atunci când utilizați o sculă electrică în aer liber, utilizați un cablu prelungitor pentru exterior.** Folosirea unui cordon potrivit pentru utilizarea în exterior reduce riscul de șoc electric.
- f) **În cazul în care operarea unei scule electrice într-un spațiu cu umiditate nu poate fi evitată, utilizați o alimentare cu protecție pentru dispozitivele de curent rezidual (RCD).** Utilizarea unui RCD reduce riscul de electrocutare.  
OBSERVAȚIE: Termenul „dispozitiv de curent rezidual (RCD)” poate fi înlocuit cu termenul „întrerupător de protecție la defecțiune circuit de împământare (GFCI)” sau cu „disjunctor de scurgere la pământ (ELCB)”.

### 3) Siguranța personală

- a) **Fiți precauți și atenți la ceea ce faceți și respectați regulile elementare atunci când utilizați sculă electrică.** Nu utilizați o sculă electrică atunci când sunteți obosit sau sub influența medicamentelor, alcoolului sau medicației. Un moment de neatenție în timpul operării sculelor electrice poate cauza vătămări corporale grave.
- b) **Utilizați echipamentul de protecție corporală. Purtați întotdeauna protecție pentru ochi.** Echipamentul de protecție precum masca de praf, pantofii de protecție antiderapanți, casca de protecție sau protecția

auzului, utilizate în condiții adecvate vor reduce pericolul de accidentare.

- c) **Prevenirea pornirii neintenționate. Asigurați-vă că întrerupătorul este în poziția oprit, înainte de a vă conecta la sursa de alimentare și/sau acumulator, de a ridica sau transporta scula.** Transportul sculei electrice ținând degetul pe întrerupător sau alimentarea sculelor electrice care au comutatorul pornit poate duce la accidente.
  - d) **Îndepărtați orice cheie sau clește de reglare înainte de a porni scula electrică.** O cheie sau un clește rămas atașat la o componentă rotativă a sculei electrice poate conduce la vătămări corporale.
  - e) **Nu vă întindeți pentru a utiliza scula de lucru. Mențineți-vă întotdeauna stabilitatea și echilibrul.** Acest lucru permite un control mai bun al sculei electrice în situații neașteptate.
  - f) **Îmbrăcați-vă corespunzător. Nu purtați haine largi sau bijuterii. Țineți-vă părul, îmbrăcămintea și mănușile departe de componentele mobile.** Hainele largi, bijuteriile sau părul lung pot fi prinse în componentele mobile.
  - g) **În cazul în care dispozitivele prezintă posibilitatea conectării de accesorii pentru aspirația și colectarea prafului, asigurați-vă că aceste accesorii sunt conectate și utilizate în mod corespunzător.** Utilizarea dispozitivelor de colectare a prafului poate reduce pericolele legate de inhalarea prafului.
- ### 4) Utilizarea și îngrijirea unelei electrice
- a) **Nu forțați scula electrică. Utilizați scula electrică adecvată aplicației dvs.** Scula electrică corespunzătoare va face munca mai ușoară și mai sigură.
  - b) **Nu utilizați scula electrică în cazul în care întrerupătorul nu comută în poziția pornit și oprit.** Orice sculă electrică care nu poate fi controlată cu comutatorul este periculoasă și trebuie reparată.
  - c) **Deconectați ștecherul de la sursa de alimentare și/sau acumulatorul de la unealta electrică înaintea efectuării oricăror reglaje, modificării accesoriilor sau depozitării uneltelor electrice.** Aceste măsuri preventive de precauție reduc riscul de pornire accidentală.

- d) **Nu depozitați sculele electrice în stare inactivă la îndemâna copiilor și nu permiteți persoanelor nefamiliarizate cu sculele de lucru sau cu aceste instrucțiuni să le utilizeze.** *Sculele electrice sunt periculoase în mâinile utilizatorilor neinstruiți.*
- e) **Efectuați întreținerea sculelor electrice. Verificați dacă componentele mobile sunt corect montate sau înțepenite, dacă există piese sparte și în orice altă stare care poate afecta utilizarea sculei electrice. În cazul deteriorării, reparați scula electrică înainte de utilizare.** *Multe accidente sunt cauzate de sculele electrice deficiente întreținute.*
- f) **Păstrați uneltele de tăiat ascuțite și curate.** *Sculele așchietoare corect întreținute cu muchiile ascuțite au mai puține șanse să se înțepenească și sunt mai ușor de utilizat.*
- g) **Utilizați scula electrică, accesoriile și cuțitele sculei etc. conform acestor instrucțiuni, ținând cont de condițiile de lucru și de lucrarea ce trebuie să fie efectuată.** *Utilizarea sculei electrice pentru operații diferite de cele pentru care a fost proiectată poate avea ca rezultat o situație periculoasă.*
- 5) **Utilizarea și îngrijirea bateriei uneltei**
- a) **Reîncărcați acumulatorii folosind exclusiv încărcătorul specificat de către producător.** *Un încărcător neadecvat pentru un anumit tip de acumulator poate genera risc de incendiu atunci când este utilizat cu un alt tip de acumulator.*
- b) **Utilizați sculele electrice exclusiv împreună cu acumulatorii specificați.** *Utilizarea oricărui alt tip de acumulatori poate genera riscuri de vătămare și incendiu.*
- c) **Atunci când nu folosiți acumulatorul, păstrați-l departe de alte obiecte metalice, precum agrafe de birou, monede, chei, cuie, șuruburi sau alte obiecte metalice mici care pot realiza conexiunea între cele două borne.** *Scurtcircuitarea bornelor acumulatorului poate cauza arsuri sau incendii.*
- d) **În condiții de utilizare incorectă, este posibil să fie evacuat lichid din baterie; evitați contactul cu acesta. În cazul în care se produce accidental contactul, clătiți cu apă. Dacă lichidul intră în contact cu ochii,**

**solicitați ajutor medical.** *Lichidul scurs din acumulator poate cauza iritații sau arsuri.*

## 6) Reparații

- a) **Pentru reparații adresați-vă unui service specializat și utilizați doar piese de schimb originale. Astfel vă asigurați că siguranța sculei electrice este menținută.** *Acest lucru va garanta păstrarea în siguranță a sculei electrice.*

### Siguranța electrică:

Trebuie respectat faptul că niciun lichid nu poate fi îndreptat direct spre dispozitivele electrice și echipamentele care conțin componente electrice. În cazul unei utilizări incorecte sau dacă bateriile sunt deteriorate, din ele poate ieși lichid inflamabil. Trebuie evitat contactul cu acest lichid. În caz de contact accidental, clătiți cu apă. În cazul în care lichidul intră în contact cu ochii, solicitați asistență medicală suplimentară.

- Nu deschideți niciodată pulverizatorul sub presiune și nu deșurubați duza când pulverizatorul sub presiune este încă sub presiune. Pentru a preveni rănirea, nu conectați niciodată pulverizatorul sub presiune la un compresor de aer.
- Țineți întotdeauna pulverizatorul sub presiune în poziție verticală înainte de a trage supapa de siguranță. Atunci când pulverizați insecticide, erbicide și fungicide sau alte produse fitosanitare lichide, trebuie să respectați toate măsurile speciale de precauție specificate de producătorul produsului pe care îl utilizați.



*Înainte de a deschide rezervorul pulverizatorului sub presiune, eliberați bine presiunea prin tragerea supapei de siguranță.*

**PERICOL! Piese mici pot fi înghițite cu ușurință. Există, de asemenea, riscul ca sacul de polietilenă să sufocă copiii mici. Țineți copiii mici la distanță atunci când asamblați produsul.**

### Siguranța operațională:

**PRECAUȚIE:** Rezervorul poate fi umplut doar cu maximum 5 litri de lichid.

- Inspectați vizual pulverizatorul sub presiune înainte de fiecare utilizare.
- Nu lăsați niciodată pulverizatorul sub presiune nesupravegheat și nu îl depozitați pentru perioade lungi de timp atunci când este complet încărcat și sub presiune.
- A se ține într-un loc ferit de accesul copiilor. Sunteți responsabil pentru siguranța celorlalți.
- Țineți pulverizatorul sub presiune departe de sursele de căldură și de mediile fierbinți.
- Înșurubați bine mânerul pompei cu mâna (nu folosiți unelte) și asigurați-vă că inelul O este poziționat corect.
- Întrerupătorul pornit/oprit poate fi comutat pe „I” numai atunci când mânerul pompei este înșurubat pe recipient.
- Încărcați acumulatorul numai la o temperatură ambiantă cuprinsă între 0 °C și + 40 °C. Dacă temperatura se situează în afara intervalului de temperatură de încărcare permis, acumulatorul nu poate fi încărcat. Imediat ce este atins intervalul de temperatură permis, acumulatorul este încărcat.

#### Siguranța curățării:

- Eliberați presiunea după fiecare utilizare, goliți recipientul, curățați-l cu grijă și clătiți-l cu apă curată. Apoi lăsați pulverizatorul sub presiune deschis și lăsați-l să se usuce.
- Nu aruncați lichidele reziduale în sistemul de canalizare (sisteme locale de eliminare).
- Curățați întotdeauna pulverizatorul sub presiune înainte de a folosi produse diferite, pentru a preveni reacțiile chimice.
- Atunci când se utilizează mai multe pulverizatoare sub presiune, rezervoarele și duzele de pulverizare nu pot fi schimbate între ele.

#### Siguranța depozitării:

- Înainte de depozitare, slăbiți capacul rezervorului și goliți întotdeauna pulverizatorul sub presiune complet (inclusiv după curățarea cu apă).
- Depozitați la adăpost de îngheț.
- Transportați pulverizatorul sub presiune prin intermediul curelei de transport sau al mânerului.
- Asigurați-vă că produsul este protejat de lumina directă a soarelui. Produsul se poate încălzi.

## 2. INFORMAȚII CU PRIVIRE LA MAȘINA

### Domeniul de utilizare

Pulverizatorul sub presiune este destinat distribuirii de lichide fără solvenți, de exemplu: pesticide<sup>1</sup>, erbicide<sup>1</sup>, îngrășăminte<sup>1</sup> și detergenți pentru ferestre<sup>1</sup>, în grădinile casnice și în grădini.

Acesta nu trebuie utilizat în locuri publice, parcuri, arene sportive, în agricultură sau în silvicultură. Respectarea specificațiilor din acest manual de utilizare este o cerință pentru utilizarea corectă a pulverizatorului sub presiune.



### Atenționare

1. Nu folosiți pistoale pentru pulverizarea substanțelor inflamabile.
2. Fiți conștienți de orice pericol prezentat de materialul care se pulverizează și de instrucțiunile de a consulta marcasele de pe recipient sau informațiile furnizate de producătorul materialului care urmează să fie pulverizat.
3. Nu pulverizați substanțe acolo unde există riscul de pericol.
4. Nu curățați pistoalele cu solvenți inflamabili.

<sup>1</sup> În conformitate cu Legea privind protecția plantelor, precum și cu Legea privind detergenții și agenții de curățare, pot fi utilizați numai agenți autorizați (distribuitori specializați autorizați).

### SPECIFICAȚII TEHNICE

Nr. model	PSM1044
Capacitate max	5 l
Tensiune	4 V
Conexiune prin USB	Tip C
Lungimea tubului de pulverizare (inclusiv mânerul de pulverizare)	15-50CM
Țimp de funcționare	2 ore
Țimp de încărcare	2 ore
Leșire presiune	0,3 l/min
Temperatura maximă de funcționare a apei	60 °C
Presiune sonoră (Lpa)	52,8 + 3 dB(A)
Putere acustică (Lwa)	63,8 + 3 dB(A)
Vibrații	0,205 + 1,5 m/s <sup>2</sup>

### Nivelul vibrațiilor

Valoarea totală a vibrațiilor declarată a fost măsurată în conformitate cu o metodă de testare standard EN 60745-1 și EN50580 și poate fi utilizată pentru a compara o unealtă cu alta; Valoarea totală declarată a emisiilor de vibrații poate fi utilizată, de asemenea, în cadrul unei evaluări preliminare în privința expunerii.

- Emisia de vibrații în timpul utilizării efective a unelei electrice poate fi diferită de valoarea totală declarată, în funcție de modul în care este.
- Necesitatea de a identifica măsuri de siguranță pentru a proteja operatorul care se bazează pe o estimare a expunerii în condițiile reale de utilizare (luând în considerare toate părțile ciclului de funcționare, cum ar fi momentele în care unealta este oprită și în care funcționează în gol, pe lângă timpul de declanșare).

### DESCRIERE

Numeralele din text se referă la diagramele de la paginile 2-4.

1. Pulverizator
2. Piuliță de închidere a duzei
3. Duza scurtă
4. Extensie la duza lungă
5. Furtun
6. Rezervor
7. Mânerul rezervorului
8. Inel rezervor
9. Supapă de eliberare
10. Curea de transportare
11. Cablu de alimentare (inclus)
12. Lumină indicare încărcare
13. Comutator pornire/oprire
14. Filtru pentru furtun
15. Lumină indicare baterie
16. Depozitare duză
17. Indicator pentru nivelul de lichid

## 3. MONTAREA

### Duze

#### Fig. B

La prima utilizare, duza scurtă (3) este montată pe pulverizator (1)

- Îndepărtați piulița de închidere a duzei (2).

- Îndepărtați și înlocuiți duza scurtă (3) sau extensia la duza lungă (4).
- Așezați piulița de închidere a duzei (2) și strângeți-o cu mâna.



Verificați dacă furtunul (5) este încă bine conectat la pulverizator (1) și la inelul rezervorului (8), dacă este necesar, strângeți piulițele cu mâna.

### Curea de transportare

- Atașați cureaua de transport la rezervor.

## 4. OPERAREA

### Încărcarea pulverizatorului

#### Fig. C

Conectați cablul încărcătorului (inclus) la un adaptor (nu este inclus).

- Conectați cablul de încărcare (11) la pulverizator
- Conectați fișa încărcătorului la o priză electrică, după câteva secunde, indicatorul luminos al încărcătorului (12) se va aprinde și va arăta starea de încărcare.

Încărcarea completă a acumulatorului poate dura 2 ore.

### Verificarea nivelului de încărcare a acumulatorului

#### Fig. D

Lumina de indicare a acumulatorului (15) arată nivelul rămas al acumulatorului atunci când este apăsat comutatorul pornit/oprit (13). Lumina de indicare a acumulatorului (15) are două lumini care indică nivelul rămas. Cu cât mai multe lumini sunt aprinse, cu atât mai multă capacitate mai are acumulatorul.

Atunci când o lumină este aprinsă, bateria este aproape goală și ar trebui încărcată.

### Pentru a pulveriza lichidul

#### Fig. E

**Notă:** Vă rugăm să respectați instrucțiunile de siguranță și de dozare furnizate de producătorul produsului pe care urmează să îl pulverizați.

1. Trageți supapa de siguranță (9). Consultați Fig. E1
2. Deșurubați mânerul rezervorului (7) și umpleți rezervorul (6). Consultați Fig. E2.  
\* Dacă este necesar, adăugați un aditiv lichid
3. Înșurubați mânerul rezervorului (7) înapoi pe rezervor (6).



Verificați dacă furtunul (5) este încă bine conectat la pulverizator (1) și la inelul rezervorului (8), dacă este necesar, strângeți piulițele cu mâna.

4. Apăsați și mențineți apăsat comutatorul pornit/oprit (13) de pe pulverizator pentru a pulveriza
5. După ce ați terminat de pulverizat, eliberați butonul de pe pulverizator pentru ca acesta să se oprească

#### Reglați pulverizarea de la vârful duzei

##### Fig. E4

Apa poate fi pulverizată din vârful duzei (3+4) fie liniar, fie în formă de evantai. Porniți mai întâi pulverizatorul, apoi reglați vârful duzei, rotindu-l în sensul acelor de ceasornic și în sens invers. Conform ilustrației din Fig. E4.

#### Indicator de nivel al lichidului (17)

Rezervorul (6) are o linie transparentă care arată nivelul lichidului din rezervor. Acesta poate fi folosit și ca pahar de măsurare, indicat la litru.

## 5. ÎNTREȚINEREA

#### Curățarea

Curățați întotdeauna pulverizatorul sub presiune după pulverizare. Utilizați pulverizatorul sub presiune numai cu apă curată (eventual cu adaos de detergent de vase) și pulverizați în gol. Se curăță supapele, pulverizatorul (1), duzele (3+4), furtunul (5) și filtrul pentru furtun (14) din interiorul rezervorului.

Trageți de supapa de siguranță (9) pentru a vedea dacă are blocaje pentru o funcționare fără probleme.

#### Depozitarea

##### Fig F1, F2

- Așezați pulverizatorul pe suportul poziționat pe inelul rezervorului. Conform ilustrației din Fig. F1
- Duza care nu este atașată la pulverizator poate fi depozitată în depozitul de duze (16), așa cum se arată în figura F2.



Depozitați pulverizatorul sub presiune într-un loc ferit de îngheț.

## 6. REMEDIEREA PROBLEMELOR

#### Pentru a curăța filtrul furtunului:

Deșurubați mânerul rezervorului și scoateți furtunul din interiorul rezervorului. Curățați filtrul. După curățare, așezați filtrul atașat înapoi pe furtunul rezervorului și pe furtunul din interiorul rezervorului.

#### Există lichid în rezervor, dar pulverizatorul nu pulverizează.

- Verificați dacă pulverizatorul este complet încărcat.
- Verificați dacă toate furtunurile (inclusiv cele din interiorul rezervorului) sunt conectate corect, dacă este necesar, reconectați-le și strângeți piulițele necesare.
- Eliberați presiunea prin tragerea supapei de siguranță.

## MEDIU

Pentru a preveni deteriorarea în timpul transportului, aparatul este livrat într-un ambalaj rezistent care constă în mare parte din material refolosibil. Prin urmare, vă rugăm să utilizați opțiunile de reciclare ale ambalajului.



Simbolul pubelei tăiate înseamnă că acest produs nu poate fi eliminat împreună cu gunoiul menajer obișnuit. Echipamentul electronic și electric care nu este inclus în procesul de sortare selectivă poate fi periculos pentru mediul înconjurător și sănătate din cauza substanțelor periculoase existente.

*Vă rugăm să efectuați eliminarea ca deșeu, în mod responsabil, la o facilitate aprobată de eliminare a deșeurilor sau de reciclare.*

#### **Numai pentru țările din CE**

Nu aruncați echipamentele acționate electric împreună cu gunoiul menajer. Conform Indicației europene 2012/19/UE pentru echipamente electrice și electronice uzate și a implementării sale la nivel național, echipamentele acționate electric scoase din uz trebuie colectate separat și evacuate într-o manieră ecologică.

### **GARANȚIE**

Produsele FERM sunt realizate la cele mai înalte standarde de calitate și sunt garantate în privința materialelor și a manoperei pentru întreaga perioadă de utilizare în garanție, începând cu data achiziției. În cazul în care produsul se defectează în timpul perioadei de utilizare, contactați direct reprezentantul FERM.

Următoarele circumstanțe sunt excluse de la această garanție:

- Reparațiile sau modificările care realizate sau care s-au încercat a fi efectuate de centre de service neautorizate.
- Uzura în condiții normale de utilizare.
- Scula care a fost utilizată într-un mod abuziv, neglijent sau întreținută în mod inadecvat.
- Folosirea unor piese de schimb neoriginale

Aceasta acoperă garanția companiei, explicită sau implicită. Nu există alte garanții explicite sau implicite care să se extindă dincolo de cele indicate aici, incluzând garanțiile, vandabilitatea sau adecvarea pentru un anumit scop. În nicio situație, FERM nu este responsabil pentru daunele accidentale sau subsecvente. Reparațiile efectuate de reprezentant trebuie să fie limitate la reparațiile sau la înlocuirea unităților sau a pieselor neconforme.

**Produsul și manualul de utilizare pot suferi modificări. Specificațiile se pot modifica fără notificare prealabilă.**





---

---





## DECLARATION OF CONFORMITY PSM1044 - PRESSURE SPRAYER

- (EN) We declare under our sole responsibility that this product is in conformity with directive 2011/65/EU of the European parliament and of the council of 8 June on the restriction of the use of certain hazardous substances in electrical and electronic equipment is in conformity and accordance with the following standards and regulations:
- (NL) Wij verklaren onder onze volledige verantwoordelijkheid dat dit product voldoet aan de conform Richtlijn 2011/65/EU van het Europees Parlement en de Raad van 8 juni 2011 betreffende beperking van het gebruik van bepaalde gevaarlijke stoffen in elektrische en elektronische apparatuur en in overeenstemming is met de volgende standaarden en reguleringen:
- (FR) Nous déclarons sous notre seule responsabilité que ce produit est conforme aux standards et directives suivants: est conforme à la Directive 2011/65/EU du Parlement Européen et du Conseil du 8 juin 2011 concernant la limitation d'usage de certaines substances dangereuses dans l'équipement électrique et électronique.
- (DE) Der Hersteller erklärt eigenverantwortlich, dass dieses Produkt der Direktive 2011/65/EU des Europäischen Parlaments und des Rats vom 8. Juni 2011 über die Einschränkung der Anwendung von bestimmten gefährlichen Stoffen in elektrischen und elektronischen Geräten entspricht, den folgenden Standards und Vorschriften entspricht:
- (PL) Deklarujemy na własną odpowiedzialność, że ten produkt spełnia wymogi zawarte w następujących normach i przepisach: jest zgodny z Dyrektywą 2011/65/UE Parlamentu Europejskiego i Rady z dnia 8 czerwca 2011 r. w sprawie ograniczenia stosowania niektórych niebezpiecznych substancji w sprzęcie elektrycznym i elektronicznym.
- (CS) Na naši vlastní zodpovednosť prohlašujeme, že je tento výrobek v súlade s následujícím standardy a normami: Je v súlade s normou 2011/65/EU Európskeho parlamentu a Rady z 8. júna 2011 týkajúcej sa obmedzenia používania určitých nebezpečných látok v elektrickom a elektronickom vybavení.
- (SK) Vyhlasujeme na našu výhradnú zodpovednosť, že tento výrobek je v zhode a súlade s nasledujúcimi normami a predpismi: Je v súlade s normou 2011/65/EU Európskeho parlamentu a Rady z 8. júna 2011 týkajúcej sa obmedzenia používania určitých nebezpečných látok v elektrickom a elektronickom vybavení.
- (IT) Dichiaro, sotto la nostra responsabilità, che questo prodotto è conforme alle normative e ai regolamenti seguenti: è conforme alla Direttiva 2011/65/UE del Parlamento Europeo e del Consiglio dell'8 giugno 2011 sulla limitazione dell'uso di determinate sostanze pericolose nelle apparecchiature elettriche ed elettroniche.
- (ES) Declaramos bajo nuestra exclusiva responsabilidad que este producto cumple con las siguientes normas y estándares de funcionamiento: se encuentra conforme con la Directiva 2011/65/UE del Parlamento Europeo y del Consejo de 8 de junio de 2011 sobre la restricción del uso de determinadas sustancias peligrosas en los equipos eléctricos y electrónicos.
- (PT) Declaramos, sob nossa exclusiva responsabilidade, que este produto está em conformidade com a diretiva 2011/65/UE do Parlamento Europeu e com a do conselho de 8 de Junho sobre a restrição da utilização de determinadas substâncias perigosas em equipamento eléctrico e electrónico está em conformidade e de acordo com as seguintes normas e regulamentações:
- (RO) Declaram sub responsabilitatea exclusivă că acest produs este în conformitate cu Directiva 2011/65/UE a Parlamentului și a Consiliului European din 8 iunie privind restricționarea utilizării anumitor substanțe periculoase în echipamentele electrice și electronice și în conformitate cu următoarele standarde și reglementări:

**EN 60745-1, EN 50580, EN 55014-1, EN 55014-2, EN 61000-3-2, EN 61000-3-3  
2006/42/EC, 2014/30/EU, 2011/65/EU**

Zwolle, 01-09-2023

H.G.F Rosberg  
CEO FERM

**FERM - Lingenstraat 6 - 8028 PM - Zwolle - The Netherlands**

