

FERM®

POWER SINCE 1965



SGM1025

EN	Original instructions	05
NL	Vertaling van de oorspronkelijke gebruiksaanwijzing	12
FR	Traduction de la notice originale	20
DE	Übersetzung der Originalbetriebsanleitung	28

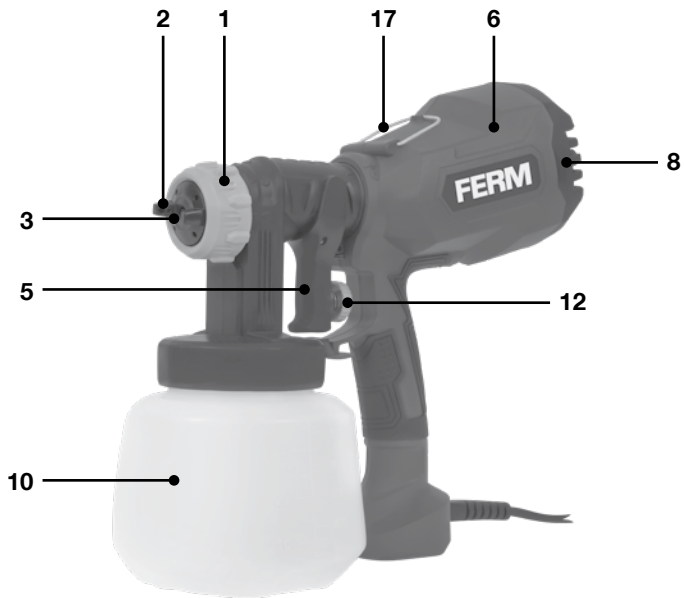


Fig. A1

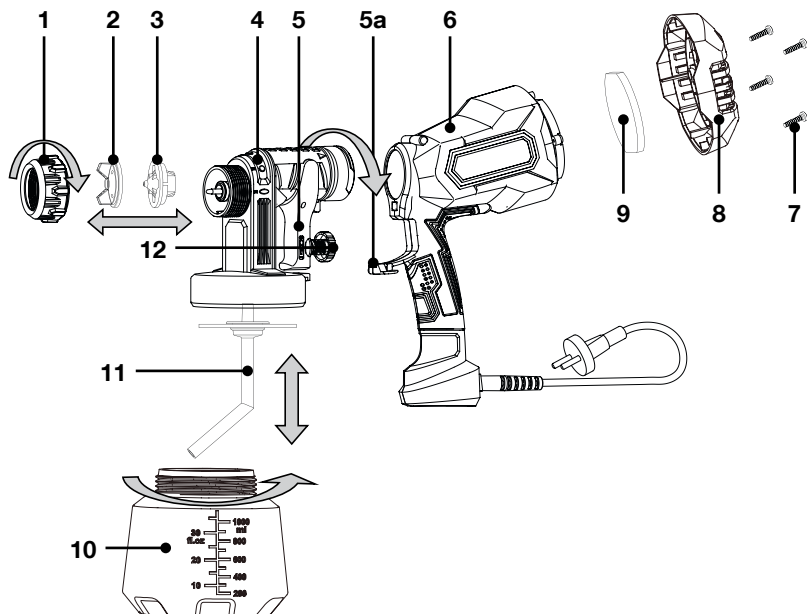


Fig. A2

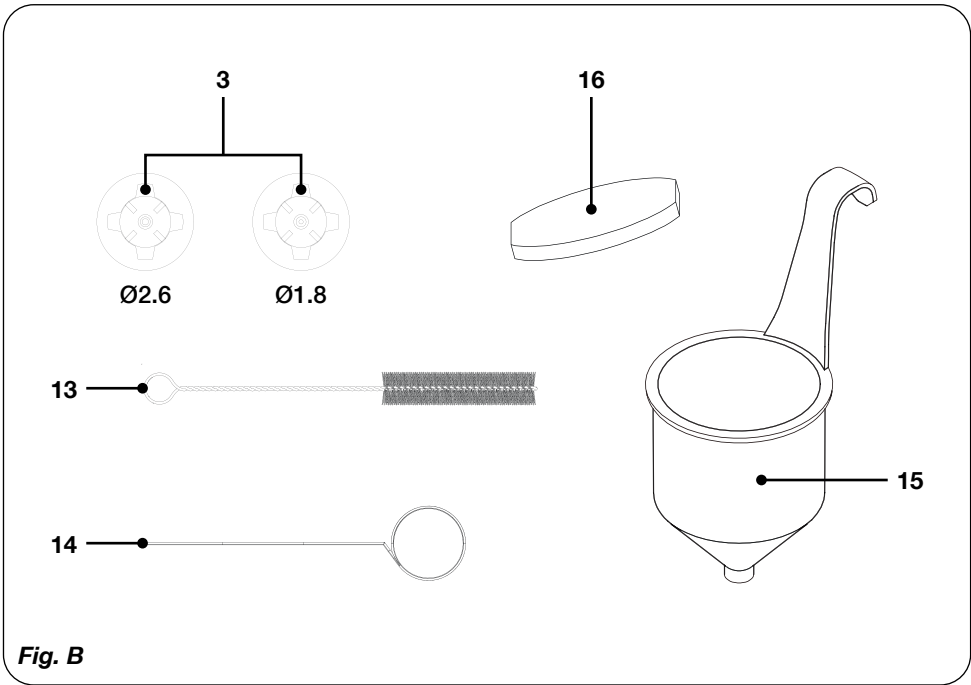


Fig. B

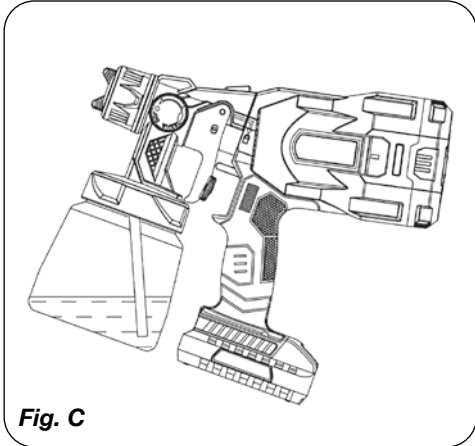


Fig. C

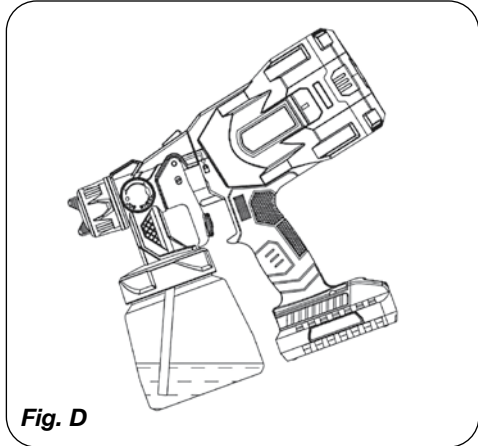


Fig. D

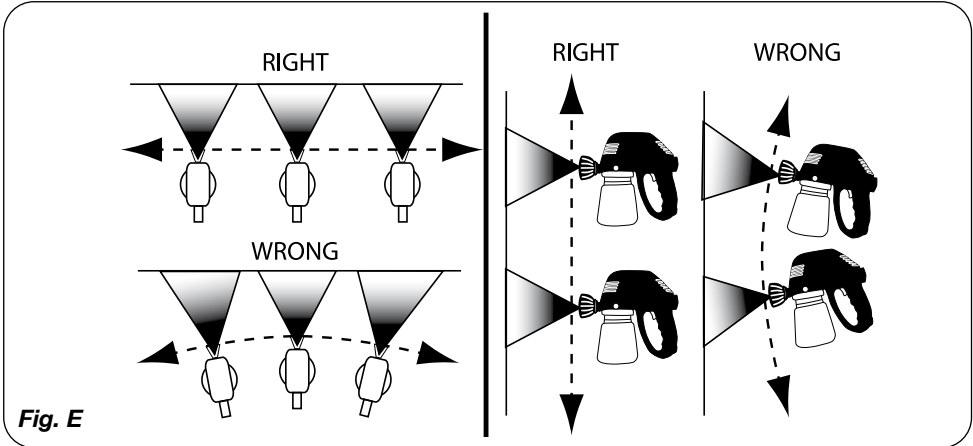


Fig. E

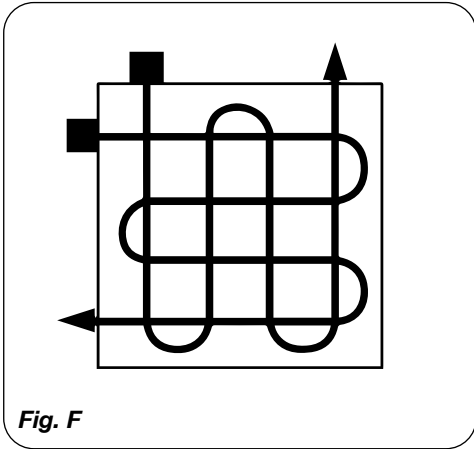


Fig. F

HVLP Paint Spray System SGM1025

Thank you for buying this Ferm product. By doing so you now have an excellent product, delivered by one of Europe's leading suppliers. All products delivered to you by Ferm are manufactured according to the highest standards of performance and safety.

1. SAFETY INSTRUCTIONS



Read the enclosed safety warnings, the additional safety warnings and the instructions. Failure to follow the safety warnings and the instructions may result in electric shock, fire and/or serious injury. **Save the safety warnings and the instructions for future reference.**

The following symbols are used in the user manual or on the product:



Read the user manual.



Denotes risk of personal injury, loss of life or damage to the tool in case of non-observance of the instructions in this manual.



Risk of electric shock.



Class II machine - Double insulation - You don't need any earthed plug.



Wear ear and eye protection.



Wear a dust mask.



Do not dispose of the product in unsuitable containers.



The product is in accordance with the applicable safety standards in the European directives.

GENERAL POWER TOOL SAFETY WARNINGS



WARNING!

Read all safety warnings and all instructions. Failure to follow the warnings and instructions may result in electric shock, fire and/or serious injury.

Save all warnings and instructions for future reference.

The term "power tool" in the warnings refers to your mains-operated (corded) power tool or battery-operated (cordless) power tool.

- 1) **Work area safety**
 - a) **Keep work area clean and well lit.** Cluttered or dark areas invite accidents.
 - b) **Do not operate power tools in explosive atmospheres, such as in the presence of flammable liquids, gases or dust.** Power tools create sparks which may ignite the dust or fumes.
 - c) **Keep children and bystanders away while operating a power tool.** Distractions can cause you to lose control.
- 2) **Electrical safety**
 - a) **Power tool plugs must match the outlet.** Never modify the plug in any way. Do not use any adapter plugs with earthed (grounded) power tools. Unmodified plugs and matching outlets will reduce risk of electric shock.
 - b) **Avoid body contact with earthed or grounded surfaces, such as pipes, radiators, ranges and refrigerators.** There is an increased risk of electric shock if your body is earthed or grounded.
 - c) **Do not expose power tools to rain or wet conditions.** Water entering a power tool will increase the risk of electric shock.
 - d) **Do not abuse the cord.** Never use the cord for carrying, pulling or unplugging the power tool. Keep cord away from heat, oil, sharp edges or moving parts. Damaged or entangled cords increase the risk of electric shock.
 - e) **When operating a power tool outdoors, use an extension cord suitable for outdoor use.** Use of a cord suitable for outdoor use reduces the risk of electric shock.

- f) **If operating a power tool in a damp location is unavoidable, use a residual current device (RCD) protected supply.** *Use of an RCD reduces the risk of electric shock.*
- 3) Personal safety**
- a) **Stay alert, watch what you are doing and use common sense when operating a power tool. Do not use a power tool while you are tired or under the influence of drugs, alcohol or medication.** *A moment of inattention while operating power tools may result in serious personal injury.*
- b) **Use personal protective equipment. Always wear eye protection.** *Protective equipment such as dust mask, non-skid safety shoes, hard hat, or hearing protection used for appropriate conditions will reduce personal injuries.*
- c) **Prevent unintentional starting. Ensure the switch is in the off-position before connecting to power source and/or battery pack, picking up or carrying the tool.** *Carrying power tools with your finger on the switch or energising power tools that have the switch on invites accidents.*
- d) **Remove any adjusting key or wrench before turning the power tool on.** *A wrench or a key left attached to a rotating part of the power tool may result in personal injury.*
- e) **Do not overreach. Keep proper footing and balance at all times.** *This enables better control of the power tool in unexpected situations.*
- f) **Dress properly. Do not wear loose clothing or jewellery. Keep your hair, clothing and gloves away from moving parts.** *Loose clothes, jewellery or long hair can be caught in moving parts.*
- g) **If devices are provided for the connection of dust extraction and collection facilities, ensure these are connected and properly used.** *Use of dust collection can reduce dust related hazards.*
- h) **Do not let familiarity gained from frequent use of tools allow you to become complacent and ignore tool safety principles.** *A careless action can cause severe injury within a fraction of a second.*
- 4) Power tool use and care**
- a) **Do not force the power tool. Use the correct power tool for your application.** *The correct power tool will do the job better and safer at the rate for which it was designed.*
- b) **Do not use the power tool if the switch does not turn it on and off.** *Any power tool that cannot be controlled with the switch is dangerous and must be repaired.*
- c) **Disconnect the plug from the power source and/or the battery pack from the power tool before making any adjustments, changing accessories, or storing power tools.** *Such preventive safety measures reduce the risk of starting the power tool accidentally.*
- d) **Store idle power tools out of the reach of children and do not allow persons unfamiliar with the power tool or these instructions to operate the power tool.** *Power tools are dangerous in the hands of untrained users.*
- e) **Maintain power tools. Check for misalignment or binding of moving parts, breakage of parts and any other condition that may affect the power tool's operation. If damaged, have the power tool repaired before use.** *Many accidents are caused by poorly maintained power tools.*
- f) **Keep cutting tools sharp and clean.** *Properly maintained cutting tools with sharp cutting edges are less likely to bind and are easier to control.*
- g) **Use the power tool, accessories and tool bits etc. in accordance with these instructions, taking into account the working conditions and the work to be performed.** *Use of the power tool for operations different from those intended could result in a hazardous situation.*
- h) **Keep handles and grasping surfaces dry, clean and free from oil and grease.** *Slippery handles and grasping surfaces do not allow for safe handling and control of the tool in unexpected situations.*
- 5) Service**
- a) **Have your power tool serviced by a qualified repair person using only identical replacement parts.** *This will ensure that the safety of the power tool is maintained.*

Additional safety instructions

- **Never spray at persons** - Never aim the nozzle at another person or animal. Never allow the spray to come into direct contact with the skin.
- **Flash point** - This spray gun must not be used for spraying flammable paints and solvents with a flash point of less than 32 °C.
- **Ventilation** - Always make sure that there is adequate ventilation in the work area when spraying.
- **Basket nozzle** - Always keep the spray basket nozzle in place during use.
- **Consider work area environment** – Do not use spray guns where there is a risk of fire or explosion.
- **Beware of any hazard** - Beware of any Hazard by the material being sprayed and consult the markings on the container or the information supplied by the manufacturer.
- **Do not spray** - Do not spray any material where the hazard is not known.
- **Use eye protection** - Always use appropriate eye protection to keep hazardous vapours or fumes out of the eyes.
- **Wear a mask** - Never operate a spray gun without wearing a face mask.
- **Protect your ears** - Wear ear protectors if the sound pressure exceeds 85 dB(A).
- **Maintain your tools** - Keep your spray gun, paint container and nozzles clean. Do not clean with flammable liquids with a flash point less than 32 °C Inspect the mains lead periodically and if damaged have it replaced by a qualified person.
- **Naked flames** - Never spray near a naked flame or appliance pilot flame.
- **Smoking** - Never smoke whilst spraying.
- **Thinning** - Always read the paint manufacturers thinning recommendations or instructions before using paint or other materials.
- **Disconnect from the mains supply** - Always disconnect battery when filling the paint container or cleaning the spray gun.
- **Switch off when not spraying** - Avoid running the unit with the flow rate knob fully closed for any length of time. Be aware of your surroundings when spraying outside, wind can cause un-intentional spraying of your surroundings.



We accept no responsibility for damage caused by the use of unsuitable substances, or paints that have not been thinned correctly, and any health hazards that arise from lack of adequate ventilation.

Immediately switch off the spray gun when:

- Defect switch.
- Smoke or stench of scorched isolation.

2. MACHINE INFORMATION

Intended use

The spray gun is intended for painting and varnishing work in a domestic setting. The spray gun is suitable for water, oil and solvent based paint/varnish/stains, It is recommended to use environmentally friendly paints and solvents. Only use the spray gun for its intended purpose. Do not use the machine to do other things outside of the described scope in this manual. The machine product is not intended for professional or industrial use.

Be aware of the safety warnings and do not use the later products, acid coating product, granula, products, corrosive products, caustic products. It is also not intended to use for spraying plant protection products for the treatment of plants or garden, as well as for spraying paint, ink or other materials on human or animal body.

Technical specifications

Model No.	SGM1025
Rated voltage	230V~ 50Hz
Rated output	450W
Maximum water flow rate	800 ml/min.
Max paint flow	230 ml/min.
Viscosity	Max. 70 DIN/s
Container capacity	1200 ml
Nozzle diameter	1.5 mm, 1.8 mm, 2.2 mm, 2.5 mm
Weight	1.34 kg
Lpa (Sound pressure level)	80.1 dB(A) K=3dB(A)
Lwa (Sound power level)	91.1 dB(A) K=3dB(A)
Vibration	2.5m/s ² K=1.5 m/s ²

Vibration level

The vibration emission level stated in this instruction manual has been measured in accordance with a standardized test given in EN60745; it may be used to compare one tool with another and as a preliminary assessment of exposure to vibration when using the tool for the applications mentioned.

- Using the tool for different applications, or with different or poorly maintained accessories, may significantly increase the exposure level.
- The times when the tool is switched off or when it is running but not actually doing the job, may significantly reduce the exposure level.

Protect yourself against the effects of vibration by maintaining the tool and its accessories, keeping your hands warm, and organizing your work patterns.

Description

The numbers in the text refer to the diagrams on page 2-4.

1. Nozzle nut
2. Nozzle head
3. Nozzle
4. Spray unit
5. Trigger
- 5a. Lock
6. Motor unit
7. Screws
8. Air filter cover
9. Air filter
10. Container
11. Riser pipe
12. Spray volume adjusting wheel
13. Cleaning brush
14. Cleaning needle
15. Measuring cup
16. Replacement air filter
17. Hanging hook

3. ASSEMBLY



Before assembly, always switch off the machine and remove the mains plug from the mains.

Connecting the motor unit to the spray unit (Fig. A)

- Move the Δ mark on the spray unit (4) to the (lock symbol) mark on the motor unit (6). Turn the spray unit (4) until the Δ mark on the spray unit (4) locks into the (lock symbol) mark on the motor unit (6).

Disconnecting the motor unit and spray unit (Fig. A)

- Unlock the lock (Fig 5a). Turn the Δ mark on the spray unit (4) to the (lock symbol) mark on the motor unit (6) to separate the two units.

Connecting and disconnecting the container to the spray unit (Fig. A)

- To connect: Align the container (10) with the spray unit (4) and insert the riser pipe (11) and tighten.
- To disconnect: Loosen the container (10) from the spray unit (4).

Replacing the nozzle (Fig. A)

The nozzle will be assembled on the spray gun when taken out of the box. To replace the nozzle follow the following steps.

- Loosen the nozzle nut (1) and remove it.
- Take out the nozzle head (2) and nozzle (3) from the machine.
- Take the desired nozzle (3) and attach it to the nozzle head (2).
- Place the nozzle head (2) and nozzle assembly back in the spray unit.
- Close it by tightening the nozzle nut (1).

4. OPERATION

Preparing the spray gun for use

Step 1: Viscosity/diluting of the paint

This appliance can process spray materials up to max. 70 DIN/sec (viscosity).

Low-viscosity coating substances, water- and solvent based paints, finishes, primers, 2 component paint, clear finishes, staining sealers and wood sealer preservatives often do not need diluting.

High-viscosity Wall paints, thick varnishes and thick stains often do need diluting.



Warning! Always use wall paint that is smooth and without any granules or lumps. Otherwise the nozzle will become clogged.

Paint preparation

The appliance can process spray materials up to a maximum of 70 DIN/s. (viscosity).

You can determine the viscosity (thickness) of the substance with the supplied measuring cup (15) using a simplified measuring procedure.

1. Fill the supplied measuring cup (15) to the brim with the spray material.
2. Remove the measuring cup (15) from the spray material and allow the liquid to run out.
3. Measure the time (in seconds) until the stream of liquid stops. The resulting value is referred to as DIN seconds (DIN/s).
4. If the value is too high, gradually thin the spray material by adding small amounts of a suitable thinning agent in and mixing the liquid.
5. Measure the DIN seconds again. Repeat this process until you measure a viscosity of less than 70 DIN/sec.

Tip! Most wall paints are thick and may need up to 40% dilution.

Step 2: Preparing the spray surface

- Cover the area around the to be sprayed area thoroughly and over a wide area. Any surface that is not covered properly can unintentionally be sprayed.



Warning! Be aware of your surroundings when spraying outside, wind can cause unintentional spraying of your not covered surroundings.

- The spray surface needs to be clean, dry, and free from grease or dust.
- Polished surfaces should be lightly sanded, and the sanding dust removed.

Step 3: Filling the paint container



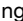
- Remove the container (10) from the Spray unit (4).
- Fill the container with to be sprayed material to a maximum of 1200ml.
- Adjust the riser pipe (11) according to the position you are going to use the spray gun in.

Spraying angle up like show in Fig. C. spraying angle down like show in Fig. D.

- Make sure the gasket and riser pipe (11) are properly installed in the container cap (10). Tighten the container (11) onto the container cap (10).

Step 4: Test and adjust the spray jet effect, spray volume and spray flow (Fig. E)

Note: Before starting to spray the work surface, it is advisable to make an initial test by spraying a small area on scrap material.

1. Choose the jet effect: Horizontally  or Vertically  or Round . By slightly undoing the nozzle nut (1). Turn the protruding parts of the nozzle head (2) so that they point to the desired symbol on the spray unit (4). Then retighten the union nozzle nut (1).
2. Adjust the spray volume with Spray volume adjusting wheel (12) by turning it to the left - to reduce the volume, to the right + to increase.

Note: Low volume is advised for smaller object or surfaces. High volume is advised for bigger surfaces.

Tip: We recommend starting at the minimum setting.

3. Aim the spray gun to the to be sprayed surface and pull the trigger (5). Hold the front of the spray gun around 20-30 cm away from the to be sprayed surface. Make long arm movements rather than short wrist movements like show in figure E. The most suitable method of surface spraying is with a cross-pattern, starting with horizontal passes and finishing with light vertical passes. See figure F.
4. Release the trigger (5) to stop the spraying.
5. Check Spray Pattern Quality.

A good spray pattern is evenly distributed as it hits the surface, if not (at highest spray flow) check the following:

 - Spray tip may be worn.
 - A smaller spray tip may be needed.
 - Material may need to be thinned.
6. Adjust the Jet effect (step 1), spray volume (step 2), object- surface to be sprayed and desired coverage. Repeat steps 3 to 5 when not satisfied with the test results.

Always let the paint/varnish/stains dry according to the recommend dry time of the spray material for applying multiple coats. Several light coats rather than one thick coat will help prevent the paint running.

5. MAINTENANCE



Before cleaning and maintenance, always switch off the machine.

Cleaning after each use

It is essential that the spray gun is cleaned thoroughly after every use. Failure to clean it will almost certainly result in blockages and it may not operate the next time. The guarantee does not cover a sprayer that has not been properly cleaned by the user.

The following action must be taken after every use:

1. Empty any unused paint from the paint container (10). Never leave paint to dry in the unit (container, riser pipe, needle, nozzle), as dried paint will prevent the spray gun from functioning properly. Failure to observe this important cautionary measure will void the guarantee.
2. Clean the container thoroughly with the thinner solvent you have used.
3. Put a little thinner solvent into the container and spray until only clean, thinner solvent exits the spray gun.



Be aware of your surroundings when spraying outside, wind can cause unintentional spraying of your not covered surroundings.

4. Clean the gasket and riser pipe (11) with thinner solvent.
5. Clean the nozzle and remove all remaining dirt or paint.
 - Remove the nozzle nut (1), nozzle head (2), Nozzle (3) like explained in chapter replacing the nozzle.
 - Clean all the nozzle parts thoroughly, do not let them soak in any cleaning detergent or water.
6. If the cylinder hole becomes blocked, use a suitable cylinder cleaning needle.

7. Keep the ventilation slots of the device clean to prevent the motor from overheating.
 8. The ventilation slots must be free from dust and dirt. If the dirt cannot be removed, use a soft cloth dipped in soapy water. Never use solvents such as benzene, alcohol, ammoniac etc. These solvents may attack the plastic elements.
 9. The air filter (9) must be free from dust and dirt. Ones in a while you need to clean the air filter. Remove the air filter like explained in chapter "cleaning and replacing the air filter".
 10. Clean the outside of the machine. Clean plastic parts with a soft, clean cloth, preferably after each use.
- Do not use aggressive cleansers (solvents or abrasive cleansers), or an abrasive sponge or sharp objects.



Do not put or immerse product in water or any other liquid.

Always read the precautions laid down by the paint/varnish manufacturer.

- Do not use liquids containing abrasive substances such as red lead oxide, glazes, caustic, and alkaline substances. The use of these liquids can lead to excessive wear or corrosion to the pump assembly.

Cleaning/replacing the air filter (Fig. A2)

- Loosen the screw (7) on the backside of the machine.
- Remove the air filter cover (8) and take out the air filter (9).
- Clean the air filter (9), always make sure it is dry before placing it back.
- Place the dry air filter/replacing air filter back in the motor unit (6).
- Place back the air filter cover (8) and tighten with the screws (7).

Note: If necessary, replace the air filter (9) with the replacement air filter (16).

ENVIRONMENT



The crossed-out wheellie bin symbol means that this product shall not be disposed of with normal household waste. Electronic and Electronical Equipment not included in the selective sorting process are potentially dangerous for the environment and human health due to the presence of hazardous substances. Please dispose of responsibly at an approved waste or recycling facility.

damages. The dealers remedies shall be limited to repair or replacement of nonconforming units or parts.

The product and the user manual are subject to change. Specifications can be changed without further notice.

Only for EC countries

Do not dispose of power tools into domestic waste. According to the European Guideline 2012/19/EC for Waste Electrical and Electronic Equipment and its implementation into national right, power tools that are no longer usable must be collected separately and disposed of in an environmentally friendly way.

WARRANTY

FERM products are developed to the highest quality standards and are guaranteed free of defects in both materials and workmanship for the period lawfully stipulated starting from the date of original purchase. Should the product develop any failure during this period due to defective material and/or workmanship then contact your FERM dealer directly.

The following circumstances are excluded from this guarantee:

- Repairs and or alterations have been made or attempted to the machine by unauthorized service centres.
- Normal wear and tear.
- The tool has been abused, misused or improperly maintained.
- Non-original spare parts have been used.

This constitutes the sole warranty made by company either expressed or implied. There are no other warranties expressed or implied which extend beyond the face hereof, herein, including the implied warranties of merchantability and fitness for a particular purpose. In no event shall FERM be liable for any incidental or consequential

HVLP Verfspuitsysteem SGM1025

Wij danken u voor uw aankoop van dit Ferm-product. U hebt nu een uitstekend product, dat wordt geleverd door een van de grootste leveranciers van Europa. Alle producten die Ferm levert, zijn vervaardigd volgens de hoogste normen voor prestaties en veiligheid.

1. VEILIGHEIDSINSTRUCTIES



Lees de bijgesloten veiligheidswaarschuwingen, de aanvullende

veiligheidswaarschuwingen en de instructies.

Geef u geen gevolg aan de veiligheidswaarschuwingen en de instructies dan kan dat een elektrische schok, brand en/of ernstig letsel tot gevolg hebben. **Bewaar de veiligheidswaarschuwingen en de instructies zodat u ze later ook nog kunt raadplegen.**

De volgende symbolen worden gebruikt in de gebruiksaanwijzing of op het product:



Lees de gebruiksaanwijzing.



Duidt op risico op persoonlijk letsel, gevaar van een ongeluk met dodelijke afloop of beschadiging van het gereedschap als de instructies in deze handleiding niet worden opgevolgd.



Risico op een elektrische schok.



Klasse II machine - Dubbele isolatie - Een geaarde stekker is niet nodig.



Draag gehoor- en gezichtsbescherming.



Draag een stofmasker.



Gooi het product niet weg in containers die daarvoor niet geschikt zijn.



Het product voldoet aan de geldende veiligheidsnormen van de Europese richtlijnen.

ALGEMENE VEILIGHEIDSWAARSCHUWINGEN VOOR ELEKTRISCH GEREEDSCHAP



WAARSCHUWING!

Lees alle veiligheidswaarschuwingen en alle instructies. Geef u geen gevolg aan de waarschuwingen en de instructies, dan kan dat een elektrische schok, brand en/of ernstig letsel tot gevolg hebben.

Bewaar alle waarschuwingen en instructies zodat u ze later ook nog kunt raadplegen.

De woorden 'elektrisch gereedschap' zoals gebruikt in de waarschuwingen verwijzen naar uw elektrisch gereedschap dat via de stroomvoorziening (met snoer) of op basis van een accu (draadloos) wordt gebruikt.

1) Veiligheid in de werkgebied

- a) **Houd het werkgebied goed schoon en goed verlicht.** Op rommelige of donkere werkplekken zullen gemakkelijk ongelukken gebeuren.
- b) **Gebruik geen elektrische gereedschappen in explosieve situaties, zoals in de nabijheid van ontvlambare vloeistoffen, gassen of stof.** Elektrische gereedschappen maken vonken die het stof of de gassen kunnen ontsteken.
- c) **Houd kinderen en omstaanders uit de buurt terwijl u elektrisch gereedschap gebruikt.** Door afleidingen kunt u de controle verliezen.

2) Elektriciteit - Veiligheid

- a) **Stekkers van elektrisch gereedschap moeten bij de stopcontacten passen. Breng nooit op welke manier dan ook veranderingen in de stekker aan. Gebruik nooit adapterstekkers met (geaard) elektrisch gereedschap.** Originele stekkers en passende stopcontacten verminderen het risico op een elektrische schok.
- b) **Voorkom lichamelijk contact met geaarde oppervlakken, zoals leidingen, radiatoren, fornuizen en koelkasten. Er is sprake van**

een verhoogd risico op een elektrische schok als uw lichaam geaard is.

- c) **Stel elektrische gereedschappen niet bloot aan regen of natte omstandigheden.** *Als water in het elektrisch gereedschap binnendringt, verhoogt dit de kans op een elektrische schok.*
- d) **Het snoer niet oneigenlijk gebruiken.** **Gebruik het snoer nooit om het elektrische gereedschap te dragen of mee te slepen, of om de stekker uit het stopcontact te trekken.** *Houd het snoer weg bij hete voorwerpen, olie, scherpe randen en/of bewegende onderdelen. Beschadigde of in de war geraakte snoeren vergroten het risico van een elektrische schok.*
- e) **Als u elektrisch gereedschap buitenshuis gebruikt, dient u altijd een verlengsnoer te gebruiken dat geschikt is voor gebruik buitenshuis.** *Het gebruik van een snoer dat geschikt is voor buitenshuis gebruik, zal het risico op een elektrische schok verminderen.*
- f) **Als het gebruik van elektrisch gereedschap in een vochtige ruimte niet kan worden vermeden, gebruik dan een altijd een met een aardlekschakelaar (RCD) beveiligde voeding.** *Het gebruik van een aardlekschakelaar zal het risico op een elektrische schok verminderen.*

3) Persoonlijke veiligheid

- a) **Let altijd op, kijk goed uit wat u doet en gebruik uw verstand tijdens het werken met elektrisch gereedschap. Werk niet met het product als u moe bent of onder invloed van alcohol of drugs.** *Een ogenblik van onoplettendheid tijdens het werken met elektrische gereedschap kan ernstig persoonlijk letsel tot gevolg hebben.*
- b) **Gebruik persoonlijke beschermingsmiddelen. Draag altijd oogbescherming.** *Beschermingsmiddelen zoals een stofmasker, anti-slip-veiligheidsschoenen, helm, of gehoorbescherming die voor de juiste omstandigheden worden gebruikt, zullen het risico op persoonlijk letsel verminderen.*
- c) **Voorkom het onbedoeld starten. Controleer of de schakelaar in de stand Uit staat, voordat het gereedschap op de voeding of accu wordt aangesloten, wordt opgepakt**

of gedragen. *Het dragen van elektrische gereedschap met de vinger op de schakelaar, of het inschakelen van elektrisch gereedschap met de schakelaar in de stand Aan, vraagt om ongelukken.*

- d) **Verwijder stelsleutels of moersleutels voordat u het elektrisch gereedschap inschakelt.** *Een steeksleutel of andere sleutel die op een draaiend deel van het elektrisch gereedschap blijft zitten, kan resulteren in persoonlijk letsel.*
 - e) **Reik niet buiten uw macht. Blijf altijd stevig en in evenwicht staan.** *Hierdoor hebt u in onverwachte situaties een betere controle over het elektrische gereedschap.*
 - f) **Draag de juiste kleding. Draag geen losse kleding of sieraden. Houd uw haar, kleding en handschoenen weg bij bewegende onderdelen.** *Loszittende kleding, sieraden of lang haar kunnen door bewegende delen worden gegrepen.*
 - g) **Als het apparaat wordt geleverd met een aansluiting voor het afzuigen en een mogelijkheid voor het verzamelen van stof, zorg er dan voor dat deze correct worden aangesloten en gebruikt.** *Het gebruik van het afzuigen en verzamelen van stof, kan de aan stof gerelateerde gevaren verminderen.*
 - h) **Denk niet dat u wel weet hoe het allemaal werkt, omdat u het gereedschap vaak gebruikt en dat u de veiligheidsbeginselen voor het gebruik van het gereedschap kunt negeren.** *Een onbezonnen actie kan in een fractie van een seconde ernstig letsel tot gevolg hebben.*
- ### 4) Gebruik en onderhoud van elektrisch gereedschap
- a) **Forceer het elektrisch gereedschap niet. Gebruik het juiste elektrisch gereedschap voor uw werkzaamheden.** *Het juiste elektrisch gereedschap klaart de klus beter en veiliger als deze hiervoor is ontworpen.*
 - b) **Gebruik het elektrisch gereedschap niet als de schakelaar het apparaat niet in- en uitschakelt.** *Elk elektrisch gereedschap dat niet met de schakelaar kan worden bediend is gevaarlijk en moet worden gerepareerd.*
 - c) **Neem de stekker van het elektrische gereedschap uit het stopcontact en/ of verwijder de accu voordat enige**

aanpassingen worden uitgevoerd, accessoires worden vervangen of elektrisch gereedschap wordt opgeborgen.

Dergelijke preventieve veiligheidsmaatregelen verminderen het risico op het onbedoeld starten van het elektrische gereedschap.

- d) **Berg ongebruikt elektrisch gereedschap buiten bereik van kinderen op en sta niet toe dat mensen die onbekend zijn met het elektrische gereedschap of deze instructies, met het elektrische gereedschap werken.** *Elektrische gereedschap kan erg gevaarlijk zijn in de handen van niet opgeleide gebruikers.*
- e) **Onderhoud van elektrisch gereedschap. Controleer op scheve of klemmende bewegende onderdelen, kapotte onderdelen en andere omstandigheden die de werking van het elektrisch gereedschap kunnen beïnvloeden. Als het elektrisch gereedschap een beschadiging of storing heeft, dient u het eerst te laten repareren. Veel ongelukken worden veroorzaakt door slecht onderhouden elektrisch gereedschap.**
- f) **Zorg ervoor dat snij- of zaaggereedschap scherp en schoon blijft.** *Op de juiste manier onderhouden snij- of zaaggereedschap met scherpe snijranden hebben minder de neiging om beklemd te raken en zijn gemakkelijker te sturen.*
- g) **Gebruik het elektrische gereedschap, de accessoires, bits, enz. volgens deze instructies, rekening houdend met de werkomstandigheden en de uit te voeren werkzaamheden.** *Gebruik van het elektrisch gereedschap voor andere werkzaamheden dan het bedoelde gebruik, kan een gevaarlijke situatie tot gevolg hebben.*
- h) **Houd handgrepen en greepoppervlakken droog, schoon en vrij van olie en vet.** *Gladde handgrepen en greepoppervlakken maken veilig werken en controle over het gereedschap in onverwachte situaties onmogelijk.*
- 5) **Onderhoud**
- a) **Laat uw elektrisch gereedschap onderhouden door een gekwalificeerde reparateur die uitsluitend identieke vervangonderdelen gebruikt.** *Dit waarborgt*

dat de veiligheid van het elektrisch gereedschap behouden blijft.

Aanvullende veiligheidsinstructies

- **Spuit nooit naar personen** - Richt de spuitmond nooit naar een ander persoon of een dier. Laat de gespoten verf nooit rechtstreeks met de huid in contact komen.
- **Vlampunt** - Dit spuitpistool mag niet gebruikt worden voor het spuiten van brandbare verf en oplosmiddelen met een vlampunt lager dan 32 °C.
- **Ventilatie** - Verzeker dat er altijd voldoende ventilatie is op de werkplek waar gespoten wordt.
- **Spuitmondmandje** - Houd het spuitmondmandje altijd op zijn plaats tijdens gebruik.
- **Houd rekening met de werkomgeving** – Gebruik spuitpistolen niet als er een risico op brand of explosie is.
- **Wees u bewust van mogelijke gevaren** - Wees u bewust van mogelijke gevaren als gevolg van het materiaal dat gespoten wordt en bekijk de markeringen op de container of de door de fabrikant verstrekte informatie.
- **Niet spuiten** - Spuit nooit materiaal waarvan de mogelijke risico's onbekend zijn.
- **Draag oogbescherming** - Draag altijd goedgekeurde oogbescherming om gevaarlijke dampen of gassen uit de ogen te houden.
- **Draag een masker** - Gebruik een spuitpistool nooit zonder een gezichtsmasker te dragen.
- **Bescherm uw oren** - Draag gehoorbescherming als de geluidsdruk groter is dan 85 dB(A).
- **Onderhoud uw gereedschap** - Houd uw spuitpistool, verfcontainer en spuitmonden schoon. Reinig niet met brandbare vloeistoffen met een vlampunt lager dan 32 °C. Inspecteer de voedingskabel periodiek en laat deze door een gekwalificeerd persoon vervangen indien beschadigd.
- **Open vlammen** - Spuit nooit in de buurt van een open vlam of waakvlam van een apparaat.
- **Roken** - Rook nooit tijdens het spuiten.
- **Verdunnen** - Lees altijd de aanbevelingen van de verffabrikant inzake verdunnen of de instructies voordat u verf of andere materialen gebruikt.

- **Loskoppelen van de voeding** - Koppel de accu altijd los tijdens het vullen van de verfcontainer of reinigen van het spuitpistool.
- **Uitschakelen als er niet gespoten wordt** - Vermijd om de eenheid, om het even hoe lang, in bedrijf te houden met de debietknop volledig gesloten. Wees u bewust van uw omgeving wanneer u buiten spuit, wind kan onbedoeld bespuiten van uw omgeving veroorzaken.



We aanvaarden geen aansprakelijkheid voor schade veroorzaakt door het gebruik van niet geschikte stoffen of verf die niet juist verdund is en alle mogelijke gezondheidsgevaars als gevolg van gebrek aan voldoende ventilatie.

Schakel het spuitpistool onmiddellijk uit als:

- De schakelaar defect is.
- Er rook of de geur van verschroeide isolatie waargenomen wordt.

2. INFORMATIE OVER HET APPARAAT

Bedoeld gebruik

Het spuitpistool is bedoeld voor verf- en lakwerk in een huishoudelijke omgeving. Het spuitpistool is geschikt voor water, olie en op verf/lak/beits op basis van oplosmiddelen. Het wordt aanbevolen om milieuvriendelijke verf en oplosmiddelen te gebruiken.

Gebruik het spuitpistool uitsluitend voor het doel waarvoor het bedoeld is. Gebruik de machine niet voor andere dingen buiten het in deze handleiding beschreven toepassingsgebied. De machine is niet geschikt voor professioneel of industrieel gebruik.

Neem de veiligheids waarschuwingen in acht en gebruik de volgende producten niet, zuur coating-product, granulaat-producten, corroderende producten, bijtende producten. De machine is ook niet bedoeld voor het spuiten van beschermingsmiddelen voor planten, voor de behandeling van planten of de tuin, en niet voor het spruiten van verf, inkt of andere materialen op mens of dier.

Technische specificaties

Modelnr.	SGM1025
Nominale spanning	230 V~ 50 Hz
Nominale uitgang	450 W
Maximum waterdebiet	800 ml/min.
Max verfdebiet	230 ml/min.
Viscositeit	Max. 70 DIN/s
Inhoud van de container	1200 ml
Diameter spuitmond	1,5 mm, 1,8 mm, 2,2 mm, 2,5 mm
Gewicht	1,34 kg
Lpa (geluidsdruk niveau)	80,1 dB(A) K=3dB(A)
Lwa (Geluidsvermogensniveau)	91,1 dB(A) K=3dB(A)
Trillingen	2,5 m/s ² K=1,5 m/s ²

Trillingsniveau

Het trillingsemissieniveau, dat in deze gebruiksaanwijzing wordt vermeld, is gemeten in overeenstemming met een gestandaardiseerde test volgens EN60745; deze mag worden gebruikt om twee machines met elkaar te vergelijken en als voorlopige beoordeling van de blootstelling aan trilling bij gebruik van de machine voor de vermelde toepassingen.

- Het gebruik van de machine voor andere toepassingen, of met andere of slecht onderhouden accessoires, kan het blootstellingsniveau aanzienlijk verhogen.
- Het aantal keren dat het gereedschap wordt uitgeschakeld of wanneer het is ingeschakeld maar niet werkelijk wordt gebruikt, kan het blootstellingsniveau aanzienlijk verminderen.

Bescherm uzelf tegen de gevolgen van trillingen door het gereedschap en de accessoires goed te onderhouden, uw handen warm te houden en uw werkpatronen te organiseren.

Beschrijving

De nummers in deze tekst verwijzen naar de diagrammen op pagina 2-4.

1. Spuitmondmoer
2. Spuitmondkop
3. Spuitmond
4. Spuit-unit
5. Trekker
- 5a. Vergrendeling

6. Motor-unit
7. Schroeven
8. Luchtfilterkap
9. Luchtfilter
10. Container
11. Stijgbuis
12. Stelwiel spuitdebiet
13. Reinigingsborstel
14. Reinigingsnaald
15. Maatbeker
16. Vervangluchtfilter
17. Ophanghaak

3. MONTAGE



Schakel de machine altijd uit voor het monteren en trek de stekker uit het stopcontact.

De motoreenheid op de spuiteenheid aansluiten (Afb. A)

- Zet het Δ -teken op de spuiteenheid (4) naar het (vergrendelsymbool) teken op de motoreenheid (6). Draai de spuiteenheid (4) tot het Δ -teken op de spuiteenheid (4) in het (vergrendelsymbool) teken op de motoreenheid (6) vergrendelt.

De motoreenheid en spuiteenheid loskoppelen (Afb. A)

- Het slot ontgrendelen (Afb 5a). Zet het Δ -teken op de spuiteenheid (4) naar het (vergrendelsymbool) teken op de motoreenheid (6) om de twee eenheden te scheiden.

De container op de spuiteenheid bevestigen en van de eenheid loskoppelen (Afb. A)

- Om te bevestigen: Lijn de container (10) uit met de spuiteenheid (4) en plaats de stijgbuis (11) en zet vast.
- Om los te koppelen: Maak de container (10) los van de spuiteenheid (4).

De spuitmond vervangen (Afb. A)

De spuitmond wordt op het spuitpistool gemonteerd bij het uit de verpakking halen. Ga voor het vervangen van de spuitmond als volgt stapsgewijs te werk.

- Draai de spuitmondmoer (1) los en verwijder deze.
- Neem de spuitmondkop (2) en de spuitmond (3) van de machine.
- Neem de gewenste spuitmond (3) en bevestig deze op de spuitmondkop (2).
- Plaats de spuitmondkop (2) en de spuitmondeenheid opnieuw in de spuiteenheid.
- Zet vast door de spuitmondmoer (1) vast te draaien.

4. GEBRUIK

Het spuitpistool klaarmaken voor gebruik

Stap 1: Viscositeit/de verf verdunnen

Dit apparaat kan te spuiten materialen verwerken tot max. 70 DIN/sec (viscositeit).

Coating-substanties met een lage viscositeit, verven op basis van water en oplosmiddel, lakken, grondverven, 2-componentverven, heldere vernissen, beitsafwerkers en houtveredelende middelen hoeven vaak niet te worden verdund.

Wandverven, dikke vernissen en dikke beitsen met een hoge viscositeit moeten vaak worden verdund.



Waarschuwing! Gebruik altijd wandverf die glad is en geen korrels of klonten bevat. Doet u dat wel dan zal de spuitmond verstopt raken.

Voorbereiding van de verf

Het apparaat kan te spuiten materialen verwerken tot maximaal 70 DIN/s. (viscositeit). U kunt de viscositeit (dikte) van de substantie bepalen met de meegeleverde maatbeker (15) door middel van een vereenvoudigde meetprocedure.

1. Vul de meegeleverde maatbeker (15) tot de rand met het te spuiten materiaal.
2. Verwijder de maatbeker (15) van het te spuiten materiaal en laat de vloeistof wegstromen.
3. Meet de tijd (in seconden) tot het stromen van de vloeistof stopt. De resulterende waarde wordt uitgedrukt in DIN seconden (DIN/s).
4. Als de waarde te hoog is, verdun het te spuiten materiaal dan geleidelijk door kleine hoeveelheden van een geschikt

verduunningsmiddel toe te voegen en de vloeistof te mengen.

5. Meet de DIN seconden opnieuw. Herhaal dit proces tot u een viscositeit lager dan 70 DIN/sec meet.

Tip! De meeste wandverven zijn dik en zullen misschien tot wel 40% moeten worden verdund.

Stap 2: Het te spuiten oppervlak in gereedheid brengen

- Dek het gebied rond het te spuiten oppervlak grondig en over een grote breedte af. Ieder oppervlak dat die niet is afgedekt kan onbedoeld worden gespoten.



Waarschuwing! Houd rekening met uw omgeving wanneer u buiten spuit, wind kan onbedoeld bespuiten van uw niet afgedekte omgeving veroorzaken.


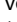
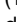
- Het te spuiten oppervlak moet schoon, droog en vrij van vet en stof zijn.
- Gepolijste oppervlakken moeten licht worden geschuurd en het schuurstof moet worden verwijderd.

Stap 3: De verfcontainer vullen

- Neem de container (10) van de spuiteenheid (4).
- Vul de container met het te spuiten materiaal tot maximaal 1200 ml.
- Stel de stijgbuis (11) af op de positie waarin u het spuitpistool gaat gebruiken. Spuihoek omhoog, zoals wordt weergegeven op Afb. C. en spuihoek omlaag, zoals wordt weergegeven op Afb. D.
- Controleer dat de pakking en de stijgbuis (11) goed in de containerdop (10) zijn geplaatst. Draai de container (11) op de containerdop (10).

Stap 4: Test en pas het spuitstraaleffect, spuitvolume en de spuitstroom aan (Afb. E)

Opmerking: U kunt het best, voordat u het werkoppervlak begint te spuiten, beginnen met een test door een klein oppervlak op een stuk afval te spuiten.

1. Kies het straaffect: Horizontaal  of verticaal  of rond . Door de spuitmondmoer (1) lichtjes los te draaien. Draai de uitstekende delen van de spuitmondkop (2) zodat ze naar het gewenste symbool op de spuiteenheid (4) wijzen. Zet daarna de spuitmondmoer (1) opnieuw vast.
2. Stel het spuitvolume af met het stelwiel (12) voor het spuitvolume, door het naar links te draaien, - voor minder volume, + naar rechts voor meer volume.
Opmerking: Gering volume wordt geadviseerd voor een kleine object of oppervlak. Groot volume wordt geadviseerd voor grotere oppervlakken.

Tip: Wij adviseren u op de minimumstand te beginnen.

3. Richt het spuitpistool op het te spuiten oppervlak en trek aan de trekker (5). Houd de voorzijde van het spuitpistool op ongeveer 20 - 30 cm van het te spuiten oppervlak. Maak lange bewegingen met de armen in plaats van korte bewegingen met de pols, zoals weergegeven op Afb. E. De beste methode op een oppervlak te spuiten is een kruispatroon, beginnend met horizontale bewegingen en eindigend met verticale bewegingen. Zie afbeelding F.
4. Laat de trekker (5) los wanneer u het spuiten wilt stoppen.
5. Controleer de kwaliteit van het spuitpatroon. Een goed spuitpatroon wordt gelijkmatig verdeeld wanneer dit het oppervlak raakt, als dat niet het geval is (bij het hoogste spuitdebiet), controleer dan volgende zaken:
 - Spuitpunt kan versleten zijn. - U moet mogelijk een kleinere spuitpunt gebruiken. - Het materiaal moet mogelijk verdund worden.
6. Stel het jeteffect (stap 1), spuitvolume (stap 2), het oppervlak van het voorwerp dat gespoten moet worden en de gewenste dekking in. Herhaal stappen 3 tot 5 als u niet tevreden bent met de testresultaten.

Laat de verf/lak/beits altijd drogen volgens de aanbevolen droogtijd van het spuitmateriaal voordat u nieuwe lagen aanbrengt. Door een aantal lichte lagen te spuiten en niet een dikke laag, voorkomt u dat de verf gaat druipen.

5. ONDERHOUD



Schakel het product altijd uit vóór het reinigen en uitvoeren van onderhoud.

Steeds na gebruik schoonmaken

Het is van essentieel belang dat u het spuitpistool steeds na gebruik schoonmaakt. Wanneer u het spuitpistool niet schoonmaakt dan zal het gevolg daarvan bijna zeker zijn dat het pistool de volgende keer niet werkt. De garantie dekt geen spuitpistool dat niet goed gereinigd werd door de gebruiker.

U moet na gebruik steeds als volgt te werk gaan:

1. Verwijder eventuele ongebruikte verf uit de verfcontainer (10). Laat nooit verf droog worden in de unit (container, stijgbuis, naald, spuitmond), omdat het gevolg van opgedroogde verf zal zijn dat het spuitpistool niet goed werkt. Wanneer u deze belangrijke voorzorgsmaatregel niet in acht neemt, zal de garantie komen te vervallen.
2. Maakt de container grondig schoon met de verdunningsvloeistof die u hebt gebruikt.
3. Giet wat verdunningsvloeistof in de container en spuit tot alleen nog schone verdunner uit het spuitpistool komt.



Wees u bewust van uw omgeving wanneer u buiten spuit, wind kan onbedoeld bespuiten van uw niet afgedekte omgeving veroorzaken.

4. Maak de pakking en de stijgbuis (11) schoon met verdunningsvloeistof.
5. Maak de spuitmond schoon en verwijder alle resterende vuil en verf.
 - Verwijderde de spuitmondmoer (1), spuitmondkop (2), spuitmond (3) zoals uitgelegd in het hoofdstuk de spuitmond vervangen.
 - Maak alle onderdelen van de spuitmond grondig schoon, laat ze niet weken in een reinigingsmiddel of water.
6. Als het cilindergat geblokkeerd raakt, prik het dan door met een geschikte naald.
7. Houd de ventilatiesleuven van het apparaat schoon zodat oververhitting van de motor wordt voorkomen.

8. De ventilatiesleuven moeten vrij zijn van stof en vuil. Gebruik een zachte met zeepwater vochtig gemaakte doek als u het vuil niet kunt verwijderen. Gebruik nooit oplosmiddelen zoals benzeen, alcohol, ammoniak, enz. Deze oplosmiddelen kunnen de kunststof onderdelen aantasten.
 9. Het luchtfilter (9) moet vrij zijn van stof en vuil. U moet zo nu en dan het luchtfilter schoonmaken. Verwijder het luchtfilter volgens de uitleg in hoofdstuk "Het luchtfilter reinigen en vervangen".
 10. Maak de buitenkant van de machine schoon. Maak, bij voorkeur steeds na gebruik, kunststof onderdelen schoon met een schone, zachte doek.
- Gebruik geen agressieve schoonmaakmiddelen (oplosmiddelen of schuurmiddelen), of een schuurspons of scherpe voorwerpen.



Zet het product niet in water of een andere vloeistof en dompel het product niet onder.

Lees altijd de voorzorgsmaatregelen die worden uiteengezet door de fabrikant van de verf/lak.

- Gebruik geen vloeistoffen die schurende bestanddelen bevatten, zoals rode loodoxide, emaille, bijtende en alkaline stoffen. Het gebruik van deze vloeistoffen kan leiden tot ernstige slijtage of corrosie van het pompelement.

Het luchtfilter reinigen/vervangen (Afb. A2)

- Draai de schroef (7) aan de achterkant van de machine los.
- Verwijder de luchtfilterkap (8) en verwijder het luchtfilter (9).
- Maak het luchtfilter (9) schoon en verzeker dat het droog is voordat u het terugplaatst.
- Plaats het droge luchtfilter/nieuwe luchtfilter opnieuw in de motoreenheid (6).
- Plaats de luchtfilterkap (8) terug en zet het vast met de schroeven (7).

Opmerking: Vervang, indien nodig, het luchtfilter (9) door het nieuwe luchtfilter (16).

MILIEU



Het symbool met de doorkruiste vuilnisbak betekent dat dit product niet samen met huishoudelijk afval weggegooid mag worden. Elektronische en elektrische apparaten die niet zijn opgenomen in het proces van gescheiden afvalinzameling zijn mogelijk gevaarlijk voor het milieu en de volksgezondheid, vanwege de aanwezigheid van gevaarlijke stoffen. Breng het apparaat naar een goedgekeurde afvalverwerkings- of recyclingfaciliteit.

Dit betreft de enige garantie die door de organisatie, impliciet of expliciet, wordt aangeboden. Geen andere garanties, impliciet noch expliciet, die verder strekken dan deze garantie, inclusief de impliciete garanties inzake de verkoopbaarheid en geschiktheid voor een specifiek doel. In geen geval zal FERM aansprakelijk zijn voor incidentele schade of gevolgschade. De oplossingen van de dealers zullen beperkt zijn tot de reparatie of het vervangen van niet-conforme eenheden of onderdelen.

Het product en de gebruiksaanwijzing kunnen worden gewijzigd. Specificaties kunnen zonder voorafgaande kennisgeving worden gewijzigd.

Alleen voor landen in de EG

Gooi geen elektrisch gereedschap bij het huisvuil. Volgens de Europese richtlijnen 2012/19/EC voor Afgedankte Elektrische en Elektronische apparatuur en de implementatie daarvan in nationaal recht, moet elektrische gereedschap dat niet meer bruikbaar is, apart worden ingezameld en op een milieuvriendelijke wijze worden verwerkt.

GARANTIE

Producten van FERM worden op basis van de hoogste kwaliteitsnormen ontwikkeld en zijn gegarandeerd vrij van defecten, zowel voor wat betreft het materiaal als de afwerking, gedurende de door de wet bepaalde periode, startend vanaf de datum van de originele aankoop. Mocht het product gedurende deze periode enige storingen vertonen als gevolg van gebrekkig materiaal en/of gebrekkige afwerking, dient direct contact met uw FERM-dealer opgenomen te worden.

De volgende omstandigheden zijn uitgesloten van deze garantie:

- Reparatie en/of wijzigingen die door een niet erkend servicecentrum aan de machine werd/ werden aangebracht of waartoe een poging werd ondernomen.
- Normale slijtage.
- Het gereedschap werd misbruikt, verkeerd werd gebruikt en/of onjuist werd onderhouden.
- Niet-originele reserveonderdelen werden gebruikt.

Pistolet à peinture HVLP SGM1025

Merci d'avoir acheté ce produit FERM. Grâce à lui, vous possédez maintenant un produit d'excellente qualité, proposé par l'un des fournisseurs leaders en Europe. Tous les produits fournis par Ferm sont fabriqués conformément aux plus hautes normes de performance et de sécurité.

1. CONSIGNES DE SÉCURITÉ



Veillez à lire les avertissements de sécurité, les avertissements supplémentaires de sécurité ainsi que toutes les instructions jointes. Le non-respect des avertissements de sécurité et des consignes peut entraîner des décharges électriques, des incendies et/ou de graves blessures. **Conservez tous les avertissements et toutes les instructions liées à la sécurité afin de pouvoir vous y référer dans le futur.**

Les symboles qui suivent sont utilisés dans la notice d'utilisation ou sur le produit :



Lisez la notice d'utilisation.



Indique un risque de blessure, de décès ou de détérioration de l'outil en cas de non-respect des consignes de cette notice.



Risque de décharge électrique.



Machine de classe II - À double isolement- Aucune liaison à la terre n'est nécessaire.



Portez des protections auditives et oculaires.



Portez un masque à poussière.



Ne jetez pas le produit dans des conteneurs inadaptés.



Le produit est conforme aux normes de sécurité en vigueur des directives européennes.

AVERTISSEMENTS DE SÉCURITÉ GÉNÉRALE PROPRES AUX OUTILS ÉLECTRIQUES



AVERTISSEMENT !

Veillez à lire tous les avertissements de sécurité et toutes les instructions.

Le non-respect des avertissements et des instructions peut entraîner des décharges électriques, des incendies et/ou de graves blessures.

Conservez tous les avertissements et toutes les instructions afin de pouvoir vous y référer dans le futur.

Le terme "outil électrique" mentionné dans les avertissements fait référence à vos outils électriques branchés sur secteur (avec câble) ou fonctionnant sur pile ou batterie (sans fil).

1) Sécurité de la zone de travail

- a) **Maintenez la zone de travail propre et bien éclairée.** Les zones sombres ou encombrées sont propices aux accidents.
- b) **N'utilisez pas d'outils électriques dans un environnement présentant des risques d'explosion ou en présence de liquides, gaz ou poussières inflammables.** Les outils électriques créent des étincelles qui peuvent enflammer les poussières et les fumées.
- c) **Maintenez les enfants et les autres personnes à l'écart lorsqu'un outil électrique est en marche.** Toute distraction peut vous faire perdre le contrôle de l'outil.

2) Sécurité électrique

- a) **Les prises des outils électriques doivent correspondre à la prise de courant murale. Ne modifiez jamais la prise d'aucune sorte. N'utilisez aucun adaptateur avec des outils électriques reliés à la terre.** L'utilisation de prises d'origine non modifiées et de prises murales appropriées permet de réduire le risque de décharge électrique.
- b) **Évitez tout contact physique avec des surfaces reliées à la terre comme des tuyaux, des radiateurs, des fours et des**

réfrigérateurs par exemple. *Le risque de décharge électrique augmente lorsque votre corps est relié à la terre.*

- c) **N'exposez pas les outils électriques à la pluie, ni à l'humidité.** *Le risque de décharge électrique augmente si de l'eau pénètre dans un outil électrique.*
- d) **Ne tirez pas sur le cordon d'alimentation. N'utilisez jamais le cordon pour transporter, tirer ou débrancher l'outil électrique. Maintenez le cordon à l'écart de la chaleur, des substances grasses, des bords tranchants ou des pièces mobiles.** *Les cordons endommagés ou emmêlés augmentent les risques de décharges électriques.*
- e) **Si vous utilisez un outil électrique à l'extérieur, utilisez une rallonge homologuée pour les travaux à l'extérieur.** *L'utilisation d'une rallonge électrique homologuée pour les travaux à l'extérieur réduit le risque de décharge électrique.*
- f) **Si l'utilisation d'un outil électrique dans un endroit humide est inévitable, utilisez une alimentation électrique protégée par un disjoncteur différentiel à courant résiduel (DDR).** *L'utilisation d'un DDR réduit le risque de décharge électrique.*

3) Sécurité des personnes

- a) **Restez vigilant, surveillez ce que vous faites et faites preuve de bon sens lorsque vous utilisez un outil électrique. N'utilisez pas d'outils électriques si vous êtes fatigué ou sous l'influence de drogue, d'alcool ou de médicaments.** *Tout moment d'inattention pendant l'utilisation d'un outil électrique peut engendrer de graves blessures.*
- b) **Portez des équipements de protection individuelle. Veillez à toujours porter une protection oculaire.** *Les équipements de protection comme les masques à poussière, les chaussures de sécurité antidérapantes, les casques ou les protections auditives réduisent le risque de blessures s'ils sont utilisés à bon escient.*
- c) **Empêchez tout démarrage intempestif. Veillez à ce l'interrupteur soit sur la position Arrêt avant de raccorder l'outil à l'alimentation électrique et/ou au bloc-batterie ou avant de ramasser ou de**

transporter l'outil. *Le fait de transporter les outils électriques le doigt sur l'interrupteur ou d'alimenter les outils électriques dont l'interrupteur est déjà en position de marche augmente le risque d'accidents.*

- d) **Retirez toutes les clés ou pinces de réglage avant de mettre l'outil en marche.** *Une clé ou une pince restée fixée sur une pièce rotative de l'outil électrique peut engendrer des blessures.*
 - e) **Ne vous penchez pas. Gardez les pieds bien ancrés au sol et conservez votre équilibre en permanence.** *Cela permet de mieux maîtriser l'outil électrique en cas de situations imprévues.*
 - f) **Portez des vêtements appropriés. Ne portez aucuns vêtements amples, ni bijoux. Gardez vos cheveux, vos vêtements et vos gants éloignés des pièces mobiles.** *Les vêtements amples, les bijoux et les cheveux longs peuvent se trouver pris dans les pièces mobiles.*
 - g) **Si vous disposez de dispositifs pour le raccordement d'un extracteur de poussière ou d'installations pour la récupération, assurez-vous qu'ils sont correctement raccordés et utilisés.** *L'utilisation de dispositifs récupérateurs de poussière peut réduire les risques liés aux poussières.*
 - h) **Ne pensez pas être familiarisé avec l'outil après l'avoir utilisé à de nombreuses reprises, au point de ne plus rester vigilant et d'en oublier les consignes de sécurité.** *Toute action imprudente peut entraîner de graves blessures en une fraction de seconde.*
- ### 4) Utiliser et entretenir un outil électrique
- a) **Ne forcez pas sur l'outil. Utilisez l'outil électrique approprié, adapté pour le travail à réaliser.** *Un outil adapté fonctionne mieux, de façon plus sûre et à la cadence pour laquelle il a été conçu.*
 - b) **N'utilisez pas l'outil électrique si l'interrupteur ne permet plus de le mettre en marche et de l'éteindre.** *Tout outil électrique qui ne peut plus être commandé par son interrupteur est dangereux et il doit être réparé.*
 - c) **Débranchez la prise de courant et/ou retirez ou retirez le bloc-batterie de l'outil électrique avant d'effectuer tout réglage,**

de changer un accessoire ou de ranger l'outil électrique. Ces mesures de sécurité préventives réduisent le risque de démarrage accidentel de l'outil électrique.

- d) **Rangez les outils électriques non utilisés hors de portée des enfants et ne laissez aucune personne ne connaissant pas ces outils ou ces consignes les faire fonctionner.** Les outils électriques peuvent être dangereux entre des mains inexpérimentées.
- e) **Veillez à bien entretenir vos outils électriques. Vérifiez que les pièces mobiles sont alignées correctement et qu'elles ne sont pas coincées. Vérifiez qu'aucune pièce n'est cassée et contrôlez l'absence de toute autre condition qui pourrait nuire au bon fonctionnement de l'outil. En cas de dommage, faites réparer l'outil électrique avant de le réutiliser.** De nombreux accidents sont provoqués par des outils électriques mal entretenus.
- f) **Maintenez les organes de coupe affûtés et propres.** Des organes de coupe bien entretenus et dont le tranchant est affûté sont moins susceptibles de rester coincés et ils sont plus faciles à contrôler.
- g) **Utilisez les outils électriques, les accessoires et les embouts d'outil conformément à ces instructions, en tenant compte des conditions de travail, ainsi que du travail à effectuer.** L'utilisation d'un outil électrique à des fins autres que celles pour lesquelles il a été prévu engendre des situations dangereuses.
- h) **Gardez les poignées et les surfaces de préhension sèches, propres et sans trace d'huile et de graisse.** Des poignées et des surfaces de préhension glissantes ne permettent pas de manipuler et de contrôler l'outil correctement en cas de situations inattendues.
- 5) **Service**
- a) **Ne faites réviser/réparer votre outil électrique que par un réparateur qualifié qui n'utilise que des pièces de rechange d'origine.** Cela permet de garantir la sûreté de l'outil électrique.

Consignes de sécurité supplémentaires

- **Ne pulvérisez jamais en direction de quiconque** - Ne dirigez jamais la buse vers quiconque (personnes ou animaux). Ne laissez jamais le jet entrer en contact avec la peau.
- **Point d'inflammabilité** - Ce pistolet ne doit pas être utilisé pour pulvériser des peintures inflammables ou des solvants dont le point d'inflammabilité est inférieur à 32 °C.
- **Ventilation** - Veillez à ce que la zone de travail soit toujours correctement aérée pendant la pulvérisation.
- **Embout panier** - Veillez à toujours laisser l'embout panier en place pendant la pulvérisation.
- **Prenez en compte l'environnement de travail** - N'utilisez pas le pistolet là où il existe un risque d'incendie ou d'explosion.
- **Faites attention à tous les risques possibles** - Faites attention aux risques liés à la matière pulvérisée et consultez les indications mentionnées sur le contenant ou les informations fournies par le fabricant.
- **Ne pulvérisez pas** - Ne pulvérisez pas de matière dont vous ignorez les risques.
- **Portez une protection oculaire** - Veillez à toujours porter une protection oculaire adaptée pour empêcher que les vapeurs et les fumées atteignent vos yeux.
- **Portez un masque** - N'utilisez jamais le pistolet de pulvérisation sans porter de masque.
- **Protégez vos oreilles** - Portez des protections auditives si la pression sonore dépasse 85 dB(A).
- **Entretenez vos outils** - Gardez votre pistolet de pulvérisation, le contenant à peinture et les buses propres. N'utilisez pas de produit de nettoyage dont le point d'inflammabilité est inférieur à 32 °C. Inspectez le cordon électrique périodiquement et faites-le remplacer par une personne compétente s'il est endommagé.
- **Flammes nues** - Ne pulvérisez jamais près d'une flamme nue ou de la flamme pilote d'un appareil.
- **Fumer** - Ne fumez jamais tout en pulvérisant.
- **Dilution** - Veillez à toujours lire les recommandations ou les instructions liées à

la dilution des fabricants de peintures avant d'utiliser de la peinture ou d'autres matériaux.

- **Débrancher l'alimentation électrique** - Veillez à toujours retirer la batterie avant de remplir le réservoir de peinture ou de nettoyer le pistolet à peinture.
- **Éteignez quand vous ne pulvérisez pas** - Évitez de faire fonctionner l'appareil avec le bouton de débit au plus bas, quelle qu'en soit la durée. Lorsque vous pulvérisez à l'extérieur, veillez à bien prendre en compte ce qui vous entoure car le vent peut accidentellement pulvériser les alentours.



Nous déclinons toute responsabilité pour les dommages issus de l'utilisation de substances inadaptées ou de peintures n'ayant pas été correctement diluées ainsi que pour les risques pour la santé résultant d'un manque d'aération.

Éteignez immédiatement le pistolet si :

- L'interrupteur est défectueux.
- L'isolant dégage de la fumée ou une odeur de brûlé.

2. INFORMATIONS SUR LA MACHINE

Utilisation prévue

Le pistolet à peinture a été conçu pour les travaux de peinture et de vernissage domestiques. Le pistolet peut accueillir des peintures/verniss/lasures à l'eau, à l'huile et avec solvants. Il est recommandé d'utiliser des peintures et solvants écologiques.

N'utilisez le pistolet à peinture qu'aux fins pour lesquelles il a été conçu. N'utilisez pas la machine en dehors du cadre fixé dans la présente notice. La machine n'est pas destinée à un usage professionnel ou industriel.

Respectez les avertissements liés à la sécurité et n'utilisez pas de produits acides, granuleux, corrosifs ou caustiques. La machine ne doit pas non plus servir pour la pulvérisation de produits phytosanitaires pour le traitement des plantes et des jardins ou pour pulvériser de la peinture, de l'encre ou d'autres substances sur le corps d'un être humain ou d'un animal.

Caractéristiques techniques

N° de modèle	SGM1025
Tension nominale	230V~ 50Hz
Tension de sortie nominale	450W
Débit maximum pour l'eau	800 ml/min
Débit maximum pour la peinture	230 ml/min
Viscosité	70 DIN/s maxi
Capacité du réservoir	1200 ml
Diamètre de la buse	1,5mm, 1,8mm, 2,2mm, 2,5mm
Poids	1,34kg
Lpa (niveau de pression sonore)	80,1 dB(A) K=3dB(A)
LwA (niveau de puissance sonore)	91,1 dB(A) K=3dB(A)
Vibrations	2,5 m/s ² K=1,5 m/s ²

Niveau des vibrations

Le niveau des vibrations émises, indiqué dans cette notice, a été mesuré conformément au test normalisé mentionné dans la norme EN60745. Il peut être utilisé pour comparer un outil à un autre ou pour réaliser une estimation préalable de l'exposition aux vibrations pendant l'utilisation de l'outil pour les applications mentionnées.

- L'utilisation de l'outil pour des applications différentes ou avec des accessoires différents ou mal entretenus peut considérablement augmenter le niveau d'exposition.
- Les durées pendant lesquelles l'outil est éteint ou qu'il fonctionne à vide peuvent considérablement réduire le niveau d'exposition.

Veillez à vous protéger contre les effets des vibrations en entretenant correctement l'outil et ses accessoires, en gardant vos mains au chaud et en adaptant votre rythme de travail.

Présentation

Les numéros dans le texte renvoient aux diagrammes des pages 2 à 4.

1. Écrou de fixation de la buse
2. Tête de la buse
3. Buse
4. Bloc de pulvérisation
5. Gâchette
- 5a. Système de verrouillage
6. Bloc-moteur

7. Vis
8. Cache-filtre à air
9. Filtre à air
10. Réservoir
11. Tuyau de relevage
12. Molette de réglage du volume pulvérisé
13. Brosse de nettoyage
14. Aiguille de nettoyage
15. Bol mesureur
16. Filtre à air de rechange
17. Crochet de suspension

3. ASSEMBLER L'APPAREIL



Avant l'assemblage, éteignez toujours la machine et débranchez la prise de courant.

Installer le bloc-moteur sur le pulvérisateur (Fig. A)

- Déplacez le symbole Δ sur le pulvérisateur (4) sur le repère (symbole du verrou) sur le bloc-moteur (6). Tournez le pulvérisateur (4) jusqu'à ce que le symbole Δ sur le pulvérisateur (4) se cale sur le repère (symbole du verrou) sur le bloc-moteur (6).

Retirer le bloc-moteur du pulvérisateur (Fig. A)

- Libérez le verrou (Fig 5a). Tournez le symbole Δ sur le pulvérisateur (4) sur le repère (symbole du verrou) sur le bloc-moteur (6) pour séparer les deux parties.

Installer et retirer le réservoir à peinture du pulvérisateur (Fig. A)

- Pour l'installer : Alignez le réservoir (10) sur le pulvérisateur (4) et insérez le tuyau de relevage (11) avant de serrer.
- Pour le retirer : Desserrez le réservoir (10) du pulvérisateur (4).

Changer la buse (Fig. A)

La buse est déjà installée sur le pistolet à peinture. Pour changer la buse, respectez les étapes suivantes.

- Desserrez l'écrou de fixation de la buse (1) et retirez-le.
- Sortez la tête de la buse (2) et la buse (3) de la machine.

- Prenez la buse voulue (3) et fixez-la sur la tête de buse (2).
- Réinstallez la tête de la buse (2) et réinstallez l'ensemble sur le bloc de pulvérisation.
- Fixez l'ensemble à l'aide de l'écrou de fixation pour la buse (1).

4. UTILISATION

Préparer le pistolet à peinture

Étape 1 : Viscosité/Diluer la peinture

Cet appareil peut pulvériser des substances jusqu'à 70 DIN/s (viscosité).

Les revêtements à faible viscosité, les peintures, les laques, les apprêts à base d'eau et de solvant, les peintures à deux composants, les produits d'étanchéité et les apprêts pour bois n'ont souvent pas besoin d'être dilués.

Les peintures murales à haute viscosité, les vernis et les lasures épais doivent souvent être dilués.



Attention ! *Veillez à toujours utiliser de la peinture murale lisse et sans granules, ni grumeaux. Vous pourriez sinon boucher la buse.*

Préparation de la peinture

Cet appareil peut pulvériser des substances jusqu'à 70 DIN/s maxi. (viscosité). Vous pouvez déterminer la viscosité (épaisseur) de la substance à l'aide du bol mesureur (15) fourni, en utilisant une méthode simple pour mesurer.

1. Remplissez le bol mesureur (15) de la substance à pulvériser jusqu'au bord.
2. Retirez la substance du bol mesureur (15) en laissant le liquide s'écouler.
3. Mesurez le temps (en secondes) jusqu'à l'arrêt de l'écoulement. La valeur en seconde correspond à la viscosité DIN/seconde (DIN/s).
4. Si la valeur est trop élevée, diluez progressivement la matière en ajoutant et en mélangeant de petites quantités d'un diluant approprié.
5. Mesurez de nouveau la viscosité. Répétez cette procédure jusqu'à avoir atteint une viscosité inférieure à 70 DIN/s.

Astuce ! La plupart des peintures murales sont très épaisses et elles nécessitent souvent une dilution à 40%.

Étape 2 : Préparer la surface à pulvériser

- Couvrez complètement et très largement la surface autour de la zone à pulvériser. Les surfaces non protégées peuvent être pulvérisées accidentellement.



Avertissement ! Lorsque vous pulvérisiez à l'extérieur, veillez à bien prendre en compte ce qui vous entoure car le vent peut accidentellement pulvériser les zones alentours non protégées.

- La surface à pulvériser doit être propre, sèche et exempte de graisse et de poussière.
- Les surfaces polies doivent être légèrement poncées et la poussière du ponçage doit être nettoyée.

Étape 3 : Remplir le réservoir de peinture

- Retirez le réservoir (10) du pulvérisateur (4).
- Remplissez le réservoir de la matière à pulvériser jusqu'à 1200ml maximum.
- Ajustez le tuyau de relevage (11) en fonction de la position dans laquelle vous prévoyez d'utiliser le pistolet à peinture. Angle de pulvérisation vers le haut comme illustré par la figure C. Angle de pulvérisation vers le bas comme illustré par la figure D.
- Veillez à ce que le joint et le tuyau (11) soient correctement installés dans le bouchon du réservoir (10). Vissez le réservoir (11) sur le bouchon du réservoir (10).

Étape 4 : Tester et régler le jet, le volume et le débit (Fig. E)

Remarque : Avant de commencer à pulvériser la surface entière, il est conseillé de procéder à un test sur une petite zone ou sur une chute.

1. Choisir le sens du jet : Horizontal ➡ ou vertical ⬆ ou rond ●. En dévissant légèrement l'écrou de la buse (1). Tournez les parties en saillie de la tête de la buse (2) pour qu'elles pointent sur le symbole voulu sur le pulvérisateur (4). Resserez ensuite l'écrou de fixation de la buse (1).

2. Réglez le volume pulvérisé à l'aide de la molette de réglage du volume pulvérisé (12) en la tournant vers la gauche (-) pour réduire le volume ou vers la droite (+) pour l'augmenter.

Remarque : Un volume plus faible est conseillé pour les plus petits objets et les plus petites surfaces. Un volume plus important est conseillé pour les plus grandes surfaces.

Conseil : Nous vous recommandons de commencer avec le niveau de réglage le plus faible.

3. Dirigez le pistolet à peinture vers la surface à pulvériser et actionnez la gâchette (5). Maintenez l'avant du pistolet à peinture à environ 20 à 30 cm de la surface à pulvériser. Effectuez de grands mouvements avec votre bras plutôt que de petits mouvements avec votre poignet, comme illustré par la figure E. La méthode la plus adaptée est de faire des passes croisées en commençant par des passes horizontales et en finissant par de légères passes verticales. Consultez la figure F.
4. Relâchez la gâchette (5) pour stopper la pulvérisation.
5. Contrôlez la qualité du schéma de pulvérisation. Un bon schéma de pulvérisation se doit d'être réparti de façon uniforme au moment où le jet touche la surface, si ce n'est pas le cas (au débit maximum) vérifiez ce qui suit : - Il se peut que la buse soit usée. - Il se peut qu'une buse plus petite soit mieux adaptée. - Il se peut que la matière doive être diluée.
6. Réglez le jet (étape 1), le volume (étape 2), la surface de l'objet à pulvériser et la couverture voulue. Répétez les étapes 3 à 5 si vous n'êtes pas satisfait(e) du résultat.

Laissez toujours la peinture/le vernis/la lasure sécher conformément aux recommandations avant d'appliquer les différentes couches. Pour éviter les coulures, plusieurs couches fines sont préférables à une seule couche plus épaisse.

5. MAINTENANCE



Veillez à toujours éteindre la machine avant le nettoyage ou la maintenance.

Nettoyage après chaque utilisation

Il est essentiel de parfaitement nettoyer le pistolet à peinture après chaque utilisation. Le manque de nettoyage entraîne à coup sûr le blocage du pistolet qui ne peut alors plus fonctionner. La garantie ne couvre pas un pistolet à peinture qui n'aurait pas été correctement nettoyé par son utilisateur.

Les opérations qui suivent doivent être réalisées après chaque utilisation :

1. Videz tout le reste de peinture du réservoir à peinture (10). Ne laissez jamais la peinture sécher dans l'appareil (réservoir, tuyau, aiguille, buse) car la peinture sèche empêcherait le bon fonctionnement du pistolet à peinture. Le non-respect de cette mesure de précaution essentielle annule la garantie.
2. Nettoyez parfaitement le réservoir à l'aide du solvant que vous avez utilisé pour diluer la peinture.
3. Remplissez le réservoir avec une petite quantité de diluant et pulvériser jusqu'à ce que le solvant ressorte du pistolet à peinture.



Lorsque vous pulvériser à l'extérieur, veillez à bien prendre en compte ce qui vous entoure car le vent peut accidentellement pulvériser les zones alentours non protégées.

4. Nettoyez le joint et le tuyau (11) avec un solvant.
5. Nettoyez la buse et retirez toute trace de salissure ou de peinture.
 - Retirez l'écrou de fixation de la buse (1), la tête de la buse (2), la buse (3), comme expliqué dans le chapitre Changer la buse.
 - Nettoyez parfaitement toutes les parties de la buse, ne les laissez pas tremper dans un détergent ou dans de l'eau.
6. Si le trou est bouché, utilisez une aiguille de nettoyage adaptée.
7. Gardez les aérations de l'appareil propres afin d'éviter la surchauffe du moteur.

8. Les aérations doivent rester exemptes d'impuretés et de poussière. Si les impuretés résistent, utilisez un chiffon doux légèrement humidifié avec de l'eau savonneuse. N'utilisez jamais aucun solvant, essence, alcool, ammoniac, etc. Ces solvants peuvent endommager les pièces en plastique.
9. Le filtre à air (9) doit rester exempt de poussière et d'impuretés. Le filtre à air doit être nettoyé de temps en temps. Retirez le filtre à air de la façon expliquée dans le chapitre "Nettoyer et remplacer le filtre à air".
10. Nettoyez l'extérieur de la machine. Nettoyez les pièces en plastique à l'aide d'un chiffon doux et propre, de préférence après chaque utilisation.

N'utilisez pas de produits de nettoyage agressifs (solvants, produits abrasifs), d'éponge abrasives ou d'objets pointus.



N'immergez pas le produit dans de l'eau ou dans tout autre liquide.

Veillez à toujours lire les mesures de précaution établies par le fabricant de la peinture ou du vernis.

- N'utilisez pas de liquides contenant des substances abrasives comme le minium (plomb rouge), les glacis, les produits caustiques et alcalins. L'utilisation de ces liquides peut entraîner l'usure excessive ou la corrosion de la pompe.

Nettoyer/Remplacer le filtre à air (Fig. A2)

- Desserrez la vis (7) à l'arrière de la machine.
- Retirez le cache-filtre à air (8) et sortez le filtre à air (9).
- Nettoyez le filtre à air (9), veillez toujours à ce qu'il soit parfaitement sec avant de le réinstaller.
- Réinstallez le filtre à air sec ou le filtre à air neuf dans le bloc-moteur (6).
- Réinstallez le cache-filtre à air (8) et refixez-le à l'aide de la vis (7).

Remarque : Si nécessaire, remplacez le filtre à air (9) par le filtre de rechange (16).

ENVIRONNEMENT



Le symbole de la poubelle sur roulettes barré indique que ce produit ne doit pas être jeté avec les déchets ménagers. Les équipements électriques et électroniques qui ne font pas l'objet d'un tri sélectif peuvent être dangereux pour l'environnement et la santé car ils contiennent des substances dangereuses. Veillez à les éliminer de façon responsable dans une déchèterie ou auprès d'une société de recyclage autorisées.

Cela constitue l'unique garantie, explicite ou implicite, proposée par la société. Il n'existe aucune autre garantie, explicite ou implicite, qui puisse dépasser le cadre de la présente garantie, y compris les garanties implicites de qualité marchande et d'adaptation à un usage particulier. En aucun cas, FERM ne saurait être tenu responsable pour les dommages accidentels ou consécutifs. Les recours des revendeurs sont limités à la réparation ou au remplacement des équipements ou des pièces non conformes.

Le produit et la notice d'utilisation sont sujets à modifications. Les caractéristiques peuvent être modifiées sans notification préalable.

Pour les pays de la Communauté Européenne uniquement

Ne pas jeter les outils électriques avec les déchets ménagers. Conformément à la Directive Européenne 2012/19/CE relative à l'élimination des déchets électriques et électroniques et sa transposition dans la législation nationale, les outils électriques inutilisables doivent être collectés séparément et être jetés de façon écologique.

GARANTIE

Les produits FERM sont développés avec les normes de qualité les plus hautes et ils sont garantis pour être exempts de défaut de pièces et de main d'œuvre pour la durée stipulée par la loi et à compter de la date d'achat initiale. Si, au cours de cette période, le produit devait rencontrer une quelconque panne due à un défaut de pièce ou de main d'œuvre, contactez votre revendeur FERM directement.

Les conditions suivantes sont exclues de la garantie :

- Réparations ou modifications sur la machine, faites ou tentées par des réparateurs non agréés.
- Usure normale.
- L'outil a été maltraité, mal utilisé ou mal entretenu.
- Utilisation de pièces détachées non d'origine.

HVLP Farbsprühsystem SGM1025

Vielen Dank für den Kauf dieses Ferm-Produkts. Hiermit erwerben Sie ein hervorragendes Produkt, das von einem der führenden Anbieter Europas geliefert wird. Alle Ihnen von Ferm gelieferten Produkte werden gemäß den höchsten Leistungs- und Sicherheitsstandards hergestellt.

1. SICHERHEITSHINWEISE



Lesen Sie die beigefügten Sicherheitswarnungen, die zusätzlichen Sicherheitswarnungen und die Anweisungen. Die Nichteinhaltung der Sicherheitswarnungen und der Anweisungen kann in einem Stromschlag, Brand und/oder in schweren Verletzungen resultieren. **Bewahren Sie die Sicherheitswarnungen und Anweisungen für künftige Referenzzwecke auf.**

Die folgenden Symbole werden im Benutzerhandbuch oder auf dem Produkt verwendet:



Lesen Sie das Benutzerhandbuch.



Bedeutet, dass bei Nichtbeachtung der Anweisungen in dieser Anleitung Verletzungen, Tod oder Beschädigung des Werkzeugs die Folge sein können.



Stromschlagrisiko.



Werkzeug/Gerät der Schutzklasse II - schutzisoliert - kein Schutzkontaktanschluss erforderlich.



Gehör- und Augenschutz tragen.



Tragen Sie eine Staubmaske.



Das Produkt nicht in ungeeigneten Behältern entsorgen.



Das Produkt entspricht den geltenden Sicherheitsstandards in den europäischen Richtlinien.

ALLGEMEINE SICHERHEITSHINWEISE FÜR ELEKTROWERKZEUGE



WARNUNG!
Beachten Sie alle Sicherheitswarnungen und

Anweisungen. Die Nichtbeachtung der Warnungen und Anweisungen kann in einem Stromschlag, Brand und/oder in schweren Verletzungen resultieren.

Bewahren Sie die Warnungen und Anweisungen für künftige Referenzzwecke auf.

Der Begriff „Elektrowerkzeug“ in den Warnhinweisen bezieht sich auf ein netzbetriebenes (kabelgebundenes) oder auf ein akkubetriebenes (kabelloses) Elektrowerkzeug.

1) Sicherheit am Arbeitsplatz

- a) **Halten Sie den Arbeitsbereich sauber und gut beleuchtet.** Unübersichtliche oder dunkle Bereiche führen eher zu Unfällen.
- b) **Betreiben Sie Elektrowerkzeuge nicht in explosionsgefährdeten Bereichen, z. B. bei Vorhandensein von brennbaren Flüssigkeiten, Gasen oder Staub.** Elektrowerkzeuge erzeugen Funken, die den Staub oder die Dämpfe entzünden können.
- c) **Halten Sie Kinder und Umstehende fern, während Sie Elektrogeräte benutzen.** Ablenkungen können zum Verlust der Kontrolle führen.

2) Elektrische Sicherheit

- a) **Die Stecker von Elektrowerkzeugen müssen zur Steckdose passen. Den Stecker niemals modifizieren. Verwenden Sie bei geerdeten Elektrowerkzeugen keine Adapterstecker. Nicht modifizierte Stecker und passende Steckdosen reduzieren das Stromschlagrisiko.**
- b) **Vermeiden Sie Körperkontakt mit geerdeten Oberflächen, wie Rohren, Heizkörpern, Herden und Kühlschränken.**

Es besteht ein erhöhtes Stromschlagrisiko, wenn Ihr Körper geerdet ist.

- c) **Setzen Sie Elektrowerkzeuge keinem Regen oder feuchten Bedingungen aus.** *Wenn Wasser in ein Elektrowerkzeug eindringt, erhöht sich die Gefahr eines Stromschlags.*
- d) **Missbrauchen Sie das Kabel nicht. Verwenden Sie das Kabel niemals zum Tragen, Ziehen oder Herausziehen des Steckers des Elektrowerkzeugs. Halten Sie das Kabel vor Wärme, Öl, spitzen Kanten oder sich bewegenden Teilen fern.** *Beschädigte oder verwickelte Kabel erhöhen das Stromschlagrisiko.*
- e) **Wenn Sie ein Elektrowerkzeug im Freien betreiben, verwenden Sie ein für den Außeneinsatz geeignetes Verlängerungskabel.** *Die Verwendung eines für den Außeneinsatz geeigneten Kabels verringert das Risiko eines Stromschlags.*
- f) **Wenn der Betrieb eines Elektrowerkzeugs in einer feuchten Umgebung unvermeidlich ist, verwenden Sie eine durch einen Fehlerstromschutzschalter geschützte Stromversorgung.** *Die Verwendung eines Fehlerstromschutzschalters senkt das Stromschlagrisiko.*
- 3) Sicherheit von Personen**
- a) **Blieben Sie beim Umgang mit einem Elektrowerkzeug aufmerksam, achten Sie auf das, was Sie tun, und benutzen Sie Ihren gesunden Menschenverstand. Benutzen Sie Elektrowerkzeuge nicht, wenn Sie müde sind oder unter dem Einfluss von Drogen, Alkohol oder Medikamenten stehen.** *Ein Moment der Unachtsamkeit während des Betriebs eines Elektrowerkzeugs kann zu schwerwiegenden Verletzungen führen.*
- b) **Tragen Sie persönliche Schutzausrüstung. Immer eine Schutzbrille tragen.** *Schutzausrüstungen wie Staubmaske, rutschfeste Sicherheitsschuhe, Schutzhelm oder Gehörschutz, die unter entsprechenden Bedingungen verwendet werden, verringern die Zahl der Verletzungen.*
- c) **Unbeabsichtigtes Starten verhindern. Vergewissern Sie sich, dass der Schalter ausgeschaltet ist, bevor Sie das Gerät an die Stromquelle und/oder den Akku anschließen, es in die Hand nehmen oder tragen.** *Das Tragen von Elektrowerkzeugen mit dem Finger auf dem Schalter oder das Einschalten von Elektrowerkzeugen, bei denen der Schalter eingeschaltet ist, lädt zu Unfällen ein.*
- d) **Entfernen Sie vor dem Einschalten des Elektrowerkzeugs alle Einstellschlüssel oder Schraubenschlüssel.** *Ein Einstellschlüssel oder Schraubenschlüssel, der an einem rotierenden Teil des Elektrowerkzeugs verbleibt, kann zu Verletzungen führen.*
- e) **Keine anormale Arbeitshaltung einnehmen. Achten Sie jederzeit auf festen Stand und Ihr Gleichgewicht.** *Das ermöglicht eine bessere Kontrolle des Elektrowerkzeugs in unerwarteten Situationen.*
- f) **Angemessene Kleidung tragen. Keine locker sitzende Kleidung oder Schmuck tragen. Haare, Kleidung und Handschuhe von beweglichen Teilen fernhalten.** *Locker sitzende Kleidung, Schmuck oder lange Haare können sich in beweglichen Teilen verfangen.*
- g) **Wenn Anschlüsse für Vorrichtungen zum Absaugen und Sammeln von Staub vorhanden sind, stellen Sie sicher, dass diese angebracht und ordnungsgemäß verwendet werden.** *Die Verwendung einer Staubabsaugvorrichtung kann staubbedingte Gefahren verringern.*
- h) **Achten Sie darauf, nicht durch häufigen Gebrauch von Werkzeugen nachlässig zu werden und die Prinzipien zum sicheren Umgang mit den Werkzeugen zu ignorieren.** *Eine unachtsame Handlung kann innerhalb von Sekundenbruchteilen schwere Verletzungen verursachen.*
- 4) Verwendung und Pflege von Elektrowerkzeugen**
- a) **Wenden Sie keine übermäßige Kraft auf das Elektrowerkzeug an. Verwenden Sie das richtige Elektrowerkzeug für Ihre Anwendung.** *Das richtige Elektrowerkzeug erledigt die Arbeit besser und sicherer mit der Geschwindigkeit, für die es konzipiert wurde.*
- b) **Verwenden Sie das Elektrowerkzeug nicht, wenn es nicht am Schalter ein- und ausgeschaltet werden kann.** *Jedes Elektrowerkzeug, das nicht mit dem Schalter*

gesteuert werden kann, stellt eine Gefahr dar und muss repariert werden.

- c) **Ziehen Sie den Stecker aus der Steckdose bzw. trennen Sie den Akku-Pack vom Elektrowerkzeug, bevor Sie irgendwelche Einstellungen vornehmen, Zubehörteile austauschen oder Elektrowerkzeuge aufbewahren.** Diese vorbeugenden Sicherheitsmaßnahmen verringern das Risiko einer unbeabsichtigten Inbetriebnahme des Elektrowerkzeugs.
- d) **Bewahren Sie ungenutzte Elektrowerkzeuge außerhalb der Reichweite von Kindern auf und erlauben Sie Personen, die mit dem Elektrowerkzeug oder dieser Anleitung nicht vertraut sind, nicht, das Elektrowerkzeug zu bedienen.** Elektrowerkzeuge stellen in den Händen von ungeschulten Benutzern eine Gefahr dar.
- e) **Pflegen Sie Elektrowerkzeuge. Prüfen Sie auf Fehlausrichtung oder Blockierung beweglicher Teile, Brüche von Teilen sowie auf alle anderen Bedingungen, die den Betrieb des Elektrowerkzeugs beeinträchtigen können. Bei einer Beschädigung lassen Sie das Elektrowerkzeug vor dem weiteren Gebrauch reparieren.** Viele Unfälle werden durch schlecht gepflegte Elektrowerkzeuge verursacht.
- f) **Halten Sie die Schneidwerkzeuge scharf und sauber.** Ordnungsgemäß gewartete Schneidwerkzeuge mit scharfen Schneidkanten verklemmen sich seltener und sind leichter zu kontrollieren.
- g) **Verwenden Sie das Elektrowerkzeug, das Zubehör und die Bits usw. gemäß dieser Anleitung und unter Berücksichtigung der Bedingungen und der vorgesehenen Arbeiten.** Die Verwendung des Elektrowerkzeugs für andere als die vorgesehenen Tätigkeiten kann zu einer gefährlichen Situation führen.
- h) **Halten Sie Griffe und Greifflächen immer trocken, sauber und frei von Öl und Fett.** Rutschige Griffe und Greifflächen verhindern in unerwarteten Situationen den sicheren Umgang mit dem Werkzeug und die richtige Kontrolle darüber.

5) Wartung

- a) **Lassen Sie Ihr Elektrowerkzeug von einer qualifizierten Fachwerkstatt warten, die nur identische Ersatzteile verwendet.** So wird sichergestellt, dass die Sicherheit des Elektrowerkzeugs gewahrt bleibt.

Zusätzliche Sicherheitshinweise

- **Sprühen Sie niemals auf Personen** – Richten Sie die Düse niemals auf andere Personen oder auf Tiere. Lassen Sie das Spray niemals direkt mit der Haut in Berührung kommen.
- **Flammpunkt** – Diese Sprühpistole darf nicht zum Versprühen von brennbaren Farben und Lösungsmitteln mit einem Flammpunkt von weniger als 32 °C verwendet werden.
- **Belüftung** – Achten Sie beim Sprühen immer auf die ausreichende Belüftung des Arbeitsbereichs.
- **Korbdüse** – Lassen Sie die Sprühkorbdüse während des Gebrauchs immer angebracht.
- **Umgebung des Arbeitsbereichs beachten** – Verwenden Sie Sprühpistolen nicht an Orten, an denen Brand- oder Explosionsgefahr besteht.
- **Gefahrenquellen beachten** – Achten Sie auf eventuelle Gefahren durch das zu versprühende Material und beachten Sie die Kennzeichnungen auf dem Behälter oder die Herstellerinformationen.
- **Nicht versprühen** – Versprühen Sie kein Material, dessen Gefährlichkeit nicht bekannt ist.
- **Augenschutz tragen** – Tragen Sie immer geeigneten Augenschutz, um gefährliche Dämpfe oder Rauch von den Augen fernzuhalten.
- **Maske tragen** – Bedienen Sie Sprühpistolen niemals ohne Gesichtsmaske.
- **Ohren schützen** – Tragen Sie einen Gehörschutz, wenn der Schalldruck 85 dB(A) übersteigt.
- **Werkzeuge pflegen** – Halten Sie Farbsprühpistole, Farbbehälter und Düsen stets sauber. Nicht mit brennbaren Flüssigkeiten mit einem Flammpunkt von weniger als 32 °C reinigen. Überprüfen Sie das Netzkabel regelmäßig und lassen Sie es bei Beschädigung durch eine qualifizierte Stelle ersetzen.

- **Offene Flammen** – Sprühen Sie niemals in der Nähe einer offenen Flamme oder der Zündflamme eines Geräts.
- **Rauchen** – Rauchen Sie niemals während des Sprühens.
- **Verdünnung** – Lesen Sie immer die Verdünnungsempfehlungen und Hinweise des Farbherstellers, bevor Sie Farbe oder andere Materialien verwenden.
- **Von der Stromversorgung trennen** – Trennen Sie immer den Akku ab, wenn Sie den Farbbehälter füllen oder die Sprühpistole reinigen.
- **Bei Nichtgebrauch ausschalten** – Betreiben Sie das Gerät nicht über längere Zeit mit vollständig geschlossenem Durchflussregler. Achten Sie beim Sprühen im Freien auf Ihre Umgebung. Zum Beispiel kann Wind ein unbeabsichtigtes Besprühen der Umgebung verursachen.



Wir übernehmen keine Verantwortung für Schäden, die durch die Verwendung ungeeigneter Stoffe oder nicht richtig verdünnter Farben entstehen, sowie für Gesundheitsgefahren, die durch unzureichende Belüftung entstehen.

Schalten Sie die Sprühpistole in folgenden Fällen sofort aus:

- Defekter Schalter.
- Rauch oder Geruch nach verbrannter Isolierung.

2. GERÄTEDATEN

Verwendungszweck

Die Sprühpistole ist für Maler- und Lackierarbeiten im häuslichen Bereich vorgesehen. Die Sprühpistole ist für wasser-, öl- und lösungsmittelhaltige Farben/Lacke/Beizmittel geeignet. Es wird empfohlen, umweltfreundliche Farben und Lösungsmittel zu verwenden. Verwenden Sie die Sprühpistole nur für den vorgesehenen Zweck. Verwenden Sie das Gerät nicht für andere Dinge, die außerhalb des in diesem Handbuch beschriebenen Anwendungsbereichs liegen. Das Gerät ist nicht für den professionellen oder industriellen Gebrauch vorgesehen.

Beachten Sie die Sicherheitswarnungen und verwenden Sie nicht die folgenden Produktarten: saure Beschichtungsprodukte, Granulat, Produkte, korrosive Produkte, ätzende Produkte. Das Gerät ist auch nicht dazu bestimmt, Pflanzenschutzmittel zur Behandlung von Pflanzen aufzubringen oder Farbe, Tinte oder anderen Materialien auf menschliche oder tierische Körper zu sprühen.

Technische Daten

Modellnr.	SGM1025
Nennspannung	230V~ 50Hz
Nennausgang	450 W
Maximale Wasserdurchflussmenge	800 ml/Min.
Max. Farbdurchfluss	230 ml/Min.
Viskosität	Max. 70 DIN/s
Fassungsvermögen des Behälters	1200 ml
Düsendurchmesser	1,5mm, 1,8mm, 2,2mm, 2,5mm
Gewicht	1,34 kg
Lpa (Schalldruckpegel)	80,1 dB(A) K=3 dB(A)
Lwa (Schallleistungspegel)	91,1 dB(A) K=3 dB(A)
Vibration	2,5 m/s ² K=1,5 m/s ²

Vibrationsintensität

Die in dieser Bedienungsanleitung angegebene Vibrationsintensität wurde mit einem standardisierten Test gemäß EN60745 gemessen. Anhand dieser Größe können Werkzeuge miteinander verglichen werden. Außerdem eignet sich diese Größe für eine erste Beurteilung der Vibrationsbelastung bei Verwendung des Werkzeugs für die angegebenen Anwendungszwecke.

- Bei Verwendung des Werkzeugs für andere Anwendungen oder mit anderem oder unzureichend gewartetem Zubehör kann sich die Vibrationsbelastung erheblich erhöhen.
- Wenn das Werkzeug ausgeschaltet ist, oder wenn es eingeschaltet ist, jedoch nicht genutzt wird, kann sich die Vibrationsbelastung erheblich verringern.

Schützen Sie sich vor den Auswirkungen der Vibration durch Wartung des Werkzeugs und des Zubehörs, halten Sie Ihre Hände warm, und organisieren Sie Ihren Arbeitsablauf.

Beschreibung

Die Zahlen im Text beziehen sich auf die Abbildungen auf den Seiten 2-4.

1. Düsenmutter
2. Düsenkopf
3. Düse
4. Sprüheinheit
5. Abzug
- 5a. Sperre
6. Motoreinheit
7. Schrauben
8. Luftfilterdeckel
9. Luftfilter
10. Behälter
11. Steigrohr
12. Sprühvolumen-Einstellrad
13. Reinigungsbürste
14. Reinigungsnadel
15. Messbecher
16. Ersatz-Luftfilter
17. Aufhängehaken

- Anbringen: Richten Sie den Behälter (10) an der Sprüheinheit (4) aus, setzen Sie das Steigrohr (11) ein und ziehen Sie es fest.
- Trennen: Lösen Sie den Behälter (10) von der Sprüheinheit (4).

Auswechseln der Düse (Abb. A)

Die Düse wird direkt an der Sprühpistole montiert. Gehen Sie zum Auswechseln der Düse wie folgt vor:

- Lösen Sie die Düsenmutter (1) und legen Sie sie beiseite.
- Nehmen Sie den Düsenkopf (2) und die Düse (3) aus dem Gerät heraus.
- Nehmen Sie die gewünschte Düse (3) und befestigen Sie sie am Düsenkopf (2).
- Setzen Sie den Düsenkopf (2) und die Düsenbaugruppe wieder in die Sprüheinheit ein.
- Ziehen Sie die Düsenmutter (1) fest.

3. MONTAGE



Schalten Sie die Maschine vor der Montage immer aus und ziehen Sie den Netzstecker aus der Steckdose.

Anbringen der Motoreinheit an der Sprüheinheit (Abb. A)

- Bringen Sie die Markierung Δ an der Sprüheinheit (4) auf die Markierung (Schlosssymbol) an der Motoreinheit (6). Drehen Sie die Sprüheinheit (4), bis die Markierung Δ an der Sprüheinheit (4) an der Markierung (Schlosssymbol) an der Motoreinheit (6) einrastet.

Trennen von Motoreinheit und Sprüheinheit (Abb. A)

- Entriegeln (Abb. 5a). • Drehen Sie die Markierung Δ an der Sprüheinheit (4) auf die Markierung (Schlosssymbol) an der Motoreinheit (6), um die beiden Einheiten zu trennen.

Anbringen und Abnehmen des Behälters an bzw. von der Sprüheinheit (Abb. A)

4. BETRIEB

Vorbereiten der Sprühpistole für den Gebrauch

Schritt 1: Viskosität/Verdünnung der Farbe

Dieses Gerät kann Spritzmaterialien bis max. 70 DIN/s (Viskosität) verarbeiten.

Niedrigviskose Beschichtungsstoffe, wasser- und lösemittelhaltige Farben, Lacke, Grundierungen, 2-Komponenten-Lacke, Klarlacke, Beizversiegelungen und Holzschutzmittel müssen häufig nicht verdünnt werden.

Hochviskose Wandfarben, dicke Lacke und dicke Beizmittel müssen häufig verdünnt werden.



Warnung! *Verwenden Sie nur Wandfarbe, die glatt und ohne Körnchen oder Klumpen ist. Andernfalls wird die Düse verstopft.*

Vorbereitung der Farbe

Das Gerät kann Spritzmaterialien bis zu einer maximalen Geschwindigkeit von 70 DIN/s (Viskosität) verarbeiten. (viscosity). Sie können die Viskosität (Dicke) der Substanz mit Hilfe des mitgelieferten Messbechers (15) auch nach einem vereinfachten Messverfahren bestimmen.

1. Füllen Sie den mitgelieferten Messbecher (15) bis zum Rand mit dem Spritzmaterial.
2. Nehmen Sie den Messbecher (15) aus dem Spritzmaterial und lassen Sie die Flüssigkeit herauslaufen.
3. Messen Sie die Zeit (in Sekunden), bis der Flüssigkeitsstrahl aufhört. Der resultierende Wert wird als DIN-Sekunden (DIN/s) bezeichnet.
4. Ist der Wert zu hoch, verdünnen Sie das Spritzmaterial allmählich, indem Sie kleine Mengen eines geeigneten Verdünnungsmittels zugeben und die Flüssigkeiten vermischen.
5. Messen Sie die DIN-Sekunden erneut. Wiederholen Sie diesen Vorgang, bis Sie eine Viskosität von weniger als 70 DIN/s messen.

Tip! Die meisten Wandfarben sind dickflüssig und müssen unter Umständen bis zu 40% verdünnt werden.

Schritt 2: Vorbereiten der Sprühfläche

- Decken Sie den Bereich um den zu besprühenden Bereich gründlich und großflächig ab. Flächen, die nicht richtig abgedeckt sind, können unbeabsichtigt besprüht werden.



Warnung! Achten Sie beim Sprühen im Freien auf Ihre Umgebung. Zum Beispiel kann Wind zum unbeabsichtigten Besprühen nicht abgedeckter Flächen führen.

- Die Sprühfläche muss sauber, trocken, fett- und staubfrei sein.
- Polierte Oberflächen sollten leicht angeschliffen und der Schleifstaub sollte entfernt werden.




Schritt 3: Füllen des Farbbehälters

- Nehmen Sie den Behälter (10) von der Sprüheinheit (4) ab.
- Füllen Sie den Behälter mit maximal 1200ml des zu versprühenden Materials.
- Stellen Sie das Steigrohr (11) entsprechend der Position ein, in der Sie die Sprühpistole verwenden wollen. Sprühwinkel oben: siehe Abb. C. Sprühwinkel unten: siehe Abb. D.
- Achten Sie darauf, dass Dichtung und Steigrohr (11) richtig im Behälterdeckel (10)

eingesetzt sind. Ziehen Sie den Behälter (11) am Behälterdeckel (10) fest.

Schritt 4: Prüfung und Einstellung von Sprühstrahleffekt, Sprühvolumen und Sprühstrom (Abb. E)

Hinweis: Bevor mit dem Besprühen der vorgesehenen Fläche begonnen wird, ist es ratsam, als Test zunächst nur ein kleines Stück Abfallmaterial zu besprühen.

1. Wählen Sie den Strahleffekt aus: Horizontal  oder Vertikal  oder Rund . Lösen Sie dazu die Düsenmutter (1) etwas. Drehen Sie die hervorstehenden Teile des Düsenkopfes (2) so, dass sie auf das gewünschte Symbol an der Sprüheinheit (4) zeigen. Ziehen Sie dann die Düsenüberwurfmutter (1) wieder fest.
2. Stellen Sie die Sprühmenge mit dem Sprühvolumen-Einstellrad (12) ein, indem Sie es nach links - drehen, um das Volumen zu verringern, bzw. nach rechts +, um es zu erhöhen.

Hinweis: Bei kleineren Objekten oder Flächen wird ein geringes Volumen empfohlen. Für größere Flächen wird ein hohes Volumen empfohlen.

Tip! Wir empfehlen, mit der kleinsten Einstellung zu beginnen.

3. Richten Sie die Sprühpistole auf die zu besprühende Oberfläche und drücken Sie den Abzug (5). Halten Sie die Vorderseite der Sprühpistole etwa 20-30 cm von der zu besprühenden Oberfläche entfernt. Führen Sie eher lange Armbewegungen als kurze Handgelenksbewegungen aus, wie in Abbildung E gezeigt. Die beste Methode für das Besprühen einer Oberfläche ist ein Kreuzmuster, das mit horizontalen Durchgängen beginnt und mit leichten vertikalen Durchgängen endet. Siehe Abbildung F.
4. Lassen Sie den Abzug (5) los, um den Sprühvorgang zu stoppen.
5. Prüfung der Sprühbildqualität. Ein gutes Sprühmuster verteilt sich beim Auftreffen auf die Oberfläche gleichmäßig. Wenn das nicht der Fall ist (beim höchsten Sprühmittelfluss),

prüfen Sie Folgendes: - Die Sprühspitze könnte abgenutzt sein. - Möglicherweise ist eine kleinere Sprühspitze erforderlich. - Möglicherweise muss das Material verdünnt werden.

6. Stellen Sie den Strahleffekt (Schritt 1), die Sprühmenge (Schritt 2), die zu besprühende Oberfläche und die gewünschte Abdeckungsstärke ein. Wiederholen Sie die Schritte 3 bis 5, wenn Sie mit den Ergebnissen noch nicht zufrieden sind.

Lassen Sie die verwendeten Farben/Lacke/Beizmittel immer entsprechend der jeweils empfohlenen Trockenzeit für das Auftragen mehrerer Schichten trocknen. Mehrere dünne Schichten statt einer dicken Schicht helfen, das Verlaufen der Farbe zu verhindern.

5. WARTUNG



Schalten Sie das Gerät vor der Reinigung und Wartung immer aus.

Nach jedem Gebrauch reinigen

Es ist sehr wichtig, dass die Sprühpistole nach jedem Gebrauch gründlich gereinigt wird. Wenn keine Reinigung erfolgt, führt dies mit ziemlicher Sicherheit zu Verstopfungen, so dass die Sprühpistole beim nächsten Mal nicht mehr funktioniert. Die Garantie gilt nicht für eine Sprühpistole, die vom Benutzer nicht ordnungsgemäß gereinigt wurde.

Nach jedem Gebrauch sind folgende Maßnahmen zu ergreifen:

1. Entfernen Sie nicht benötigte Farbe aus dem Farbbehälter (10). Lassen Sie die Farbe niemals im Gerät (Behälter, Steigrohr, Nadel, Düse) trocknen, da eingetrocknete Farbe die Funktion der Sprühpistole verhindert. Die Nichtbeachtung dieser wichtigen Maßnahme führt zum Erlöschen der Garantie.
2. Reinigen Sie den Behälter gründlich mit dem verwendeten Verdünnungsmittel.
3. Geben Sie dazu etwas Verdünnungsmittel in den Behälter und versprühen Sie es so lange, bis nur noch sauberes Verdünnungsmittel aus der Sprühpistole austritt.



Achten Sie beim Sprühen im Freien auf Ihre Umgebung. Zum Beispiel kann Wind zum unbeabsichtigten Besprühen nicht abgedeckter Flächen führen.

4. Reinigen Sie die Dichtung und das Steigrohr (11) mit Verdünnungsmittel.
5. Reinigen Sie die Düse und entfernen Sie alle Schmutz- oder Farbreste.
 - Entfernen Sie Düsenmutter (1), Düsenkopf (2), und Düse (3) wie im Kapitel zum Austauschen der Düse beschrieben.
 - Reinigen Sie alle Düsentteile gründlich, lassen Sie sie aber nicht in Reinigungsmittel oder Wasser einweichen.
6. Falls das Zylinderloch verstopft ist, verwenden Sie eine geeignete Zylinderreinigungsnadel.
7. Halten Sie die Lüftungsschlitze des Geräts sauber, um eine Überhitzung des Motors zu verhindern.
8. Die Lüftungsschlitze müssen frei von Staub und Schmutz sein. Wenn der Schmutz nicht einfach entfernt werden kann, ein weiches Tuch, befeuchtet mit Seifenwasser verwenden. Niemals Lösungsmittel wie Benzin, Alkohol, Ammoniak usw. verwenden. Diese Substanzen können die Kunststoffteile beschädigen.
9. Der Luftfilter (9) muss frei von Staub und Schmutz sein. Nach einiger Zeit muss der Luftfilter gereinigt werden. Nehmen Sie den Luftfilter wie im Kapitel „Reinigung und Austausch des Luftfilters“ beschrieben ab.
10. Reinigen Sie die Außenseite des Geräts. Reinigen Sie Kunststoffteile mit einem weichen, sauberen Tuch, vorzugsweise nach jedem Gebrauch.

Verwenden Sie weder aggressive Reinigungsmittel (Lösungs- oder Scheuermittel), noch Scheuerschwämme oder scharfe Gegenstände.



Das Produkt darf nicht in Wasser oder eine andere Flüssigkeit gelegt oder eingetaucht werden.

Lesen Sie immer die vom Hersteller der verwendeten Farben/Lacke genannten Vorsichtsmaßnahmen.

- Verwenden Sie keine Flüssigkeiten, die scheuernde Substanzen enthalten, z.B. Bleimennige, Glasuren, ätzende und alkalische

Substanzen. Die Verwendung solcher Flüssigkeiten kann zu übermäßigem Verschleiß oder Korrosion an der Pumpenbaugruppe führen.

GARANTIE

Reinigung und Austausch des Luftfilters (Abb. A2)

- Lösen Sie die Schraube (7) an der Rückseite des Geräts.
- Entfernen Sie den Luftfilterdeckel (8) und nehmen Sie den Luftfilter (9) heraus.
- Reinigen Sie den Luftfilter (9) und achten Sie immer darauf, dass er trocken ist, bevor er wieder eingesetzt wird.
- Setzen Sie den Trockenluftfilter/Ersatzluftfilter wieder in die Motoreinheit (6) ein.
- Setzen Sie dann den Luftfilterdeckel (8) wieder auf und befestigen ihn mit Hilfe der Schrauben (7).

Hinweis: Ersetzen Sie gegebenenfalls den Luftfilter (9) durch den Ersatz-Luftfilter (16).

FERM-Produkte werden nach den höchsten Qualitätsstandards entwickelt und sind für den gesetzlich festgelegten Zeitraum ab dem Datum des ursprünglichen Kaufs garantiert frei von Material- und Verarbeitungsfehlern. Sollte das Produkt während dieses Zeitraums aufgrund von Material- und/oder Verarbeitungsfehlern ausfallen, wenden Sie sich bitte direkt an Ihren FERM-Händler.

Folgende Umstände sind aus der Garantie ausgeschlossen:

- An dem Produkt wurden von nicht autorisierten Servicestellen Reparaturen und/oder Änderungen vorgenommen.
- Normaler Verschleiß.
- Das Produkt wurde missbräuchlich oder falsch verwendet oder unsachgemäß gewartet.
- Es wurden keine Originalersatzteile verwendet.

Dies ist die einzige ausdrückliche oder stillschweigende Garantie, die das Unternehmen übernimmt. Es gibt keine weiteren ausdrücklichen oder stillschweigenden Garantien, die über die hierin enthaltenen Angaben hinausgehen, einschließlich der stillschweigenden Garantien der Gebrauchstauglichkeit und Eignung für einen bestimmten Zweck. FERM haftet in keinem Fall für zufällige Schäden oder Folgeschäden. Die Rechtsmittel des Händlers beschränken sich auf die Reparatur oder den Austausch der nicht konformen Geräte oder Teile.

Das Produkt und die Bedienungsanleitung können Änderungen unterliegen. Technische Daten können ohne vorherige Ankündigung geändert werden.

UMWELT



Das Symbol mit der durchgestrichenen Mülltonne bedeutet, dass dieses Produkt nicht im normalen Hausmüll entsorgt werden darf. Elektronische und elektrische Geräte enthalten gefährliche Substanzen und stellen daher bei unsachgemäßer Entsorgung eine potenzielle Gefährdung für die Umwelt und die menschliche Gesundheit dar. Entsorgen Sie sie daher verantwortungsbewusst bei einem zugelassenen Entsorgungs- oder Recyclingbetrieb.

Nur für EU-Länder

Entsorgen Sie Elektrowerkzeuge nicht im Hausmüll. Nach der europäischen Richtlinie 2012/19/EC über Elektro- und Elektronik-Altgeräte und ihrer Umsetzung in nationales Recht müssen Elektrowerkzeuge, die nicht mehr verwendet werden sollen, getrennt gesammelt und auf umweltgerechte Weise entsorgt werden.



DECLARATION OF CONFORMITY SGM1025 - HVLP PAINT SPRAY SYSTEM

- (EN) We declare under our sole responsibility that this product is in conformity with directive 2011/65/EU of the European parliament and of the council of 8 June on the restriction of the use of certain hazardous substances in electrical and electronic equipment is in conformity and accordance with the following standards and regulations:
- (NL) Wij verklaren onder onze volledige verantwoordelijkheid dat dit product voldoet aan de conform Richtlijn 2011/65/EU van het Europees Parlement en de Raad van 8 juni 2011 betreffende beperking van het gebruik van bepaalde gevaarlijke stoffen in elektrische en elektronische apparatuur en in overeenstemming is met de volgende standaarden en reguleringen:
- (FR) Nous déclarons sous notre seule responsabilité que ce produit est conforme aux standards et directives suivants: est conforme à la Directive 2011/65/EU du Parlement Européen et du Conseil du 8 juin 2011 concernant la limitation d'usage de certaines substances dangereuses dans l'équipement électrique et électronique.
- (DE) Der Hersteller erklärt eigenverantwortlich, dass dieses Produkt der Direktive 2011/65/EU des Europäischen Parlaments und des Rats vom 8. Juni 2011 über die Einschränkung der Anwendung von bestimmten gefährlichen Stoffen in elektrischen und elektronischen Geräten entspricht. den folgenden Standards und Vorschriften entspricht:

**EN 60745-1, EN 50580, EN IEC 55014-1, EN IEC 55014-2, EN IEC 61000-3-2,
EN 61000-3-3,
2006/42/EC, 2014/30/EU, 2012/19/EU, 2011/65/EU**

Zwolle, 01-07-2023

H.G.F Rosberg
CEO FERM

FERM - Lingenstraat 6 - 8028 PM - Zwolle - The Netherlands

