



INSTANT HOT WATER DISPENSER



USER MANUAL

Model: MI-HA-IHWDO1-B

USER MANUAL: MAGNANI – INSTANT HOT WATER DISPENSER


MODEL: MI-HA-IHWDO1-B

TABLE OF CONTENT

- 1) Package contents
- 2) Safety instructions
- 3) Installing and using the product
- 4) Cleaning – maintenance & descaling
- 5) Specifications
- 6) Storage & transportation



1) PACKAGE CONTENTS

- Instant hot water dispenser
- User manual
- Reset key 



2) SAFETY INSTRUCTIONS

The following precautions must always be taken in consideration before using the “Magnani – Instant hot water dispenser”, hereinafter referred to as the ‘device’.

WARNING !



**The water dispensed from the device is hot.
Do not touch it to avoid burning yourself.**

General information

- Read the instructions for use carefully and keep them safe. If you give this device to other people, please also pass on this manual.
- Only use this device in accordance with the instructions in this user manual.
- This device can be used by children aged 8 and over and people with restricted physical, sensory or mental capacity or a lack of experience and expertise, provided they are under supervision or have been given instructions about safely using the device and are aware of the potential hazards. Children must not play with the device. Cleaning and maintenance must not be done by children unless they are over the age of 8 and under supervision.
- This device is intended for domestic or similar use, not for professional use.



- **WARNING!** Do not leave packaging material lying around carelessly. This may become dangerous playing material for children. **Risk of suffocation!**

Electricity and heat

- Prior to use, check that the mains voltage is the same as the mains voltage stated on the name plate of the device.
- Make sure your hands are dry before touching the device, power cord or plug.
- Plug the power plug into an earthed electrical outlet that is easily accessible at all times.

- **WARNING!** Never cover the power plug or cable with cloths, curtains or any other material in order to prevent overheating and potential fire hazards.

- Make sure that the device and power cable do not come into contact with heat sources, like a hot hob or naked flame.
- The device must be able to dispel its heat in order to prevent the risk of fire. So make sure the device has sufficient free space around it (at least 10 cm from all sides) and do not place the device in contact with combustible materials and/or on or near combustible materials.



• **WARNING!** Do not cover the device to prevent overheating and potential fire hazards.

- Check the power cord regularly for damage.
- Never use the device if the power cord shows signs of damage, if the device has fallen on the ground or shows any other signs of damage.
- Switch OFF the device and remove the power plug if you discover any faults during use, find any signs of damage, are not using the device or are cleaning it.
- Make sure the power cord cannot be trodden on or pinched.
- Do not allow the power cord to hang over sharp edges and keep it away from hot objects and naked flames.
- When plugging in the power plug, make sure people cannot accidentally pull it out or trip over it.
- Remove the power plug from the power socket during lightning storms or if unused for long periods of time.
- Use a 10 amp cable if an extension cable is required. Cables with a lower amp rating may burn out.
- When using an extension cable, make sure it is completely extended.



• **WARNING!** To reduce the risk of fire or electric shock, protect the device from dripping or splashing water and keep away from objects filled with liquids, such as vases. Such objects should not be placed on or near the device.

Use

- Do not use the device in the vicinity of flammable materials.
- **Do not leave the device unattended when it is in use.**
- Do not touch the waterspout or the water being dispensed when operating the device.



• When operating, do not touch or block the steam outlet by hand or any other means.



• Do not open the water tank lid in a rush, in order to avoid burns resulting from hot steam or any possible malfunctions.



• Do not use hands or any other body parts to feel the temperature or the steam of the device while it is being operated.

- Do not use the device to heat anything other than water.
- Do not fill the water tank of the device above the “MAX” indicator.
- Do not operate the device if the water level is below “MIN”
- Do not operate the device without water, or when the water is below the minimum water level, to avoid damaging the heating element.
- Place the device on a flat and stable surface, in a place where it cannot fall over or suddenly be knocked over, resulting in burns.
- Do not lean on the device.
- Do not operate the device upside down.
- Do not put the device into a working disinfection cabinet.
- Do not use the device in the refrigerator or freezer.
- Never move the device when it is switched ON or still warm. First switch OFF the device and only move it when it has cooled down.
- Clean the device thoroughly after use (see “cleaning and maintenance”).
- Avoid locations subject to vibrations, cold or humidity.
- Do not expose the device to direct sunlight, heat sources, excessive humidity or corrosive environments.
- Do not place the device under any mechanical stress.
- Improper use of the device could damage the product.
- Please handle the device carefully. Impacts or falls, even from a low height, can damage the device.
- Do not open the casing as this may result in electric shock.
- Do not attempt to disassemble or repair the device or modify it in any manner.
- The device must be serviced if it has been damaged in any way, i.e. if the power supply cord/plug is damaged; objects have fallen into it; it has been exposed to rain or moisture; it has been dropped or does not operate properly.
- Do not use abrasive cleaning solvents to clean the device.
- Do not use foreign objects to clean the device.



Important information, follow these instructions

- This device can be used by children aged 8 and over and people with restricted physical, sensory or mental capacity or a lack of experience and expertise, provided they are under supervision or have been given instructions about safely using the device and are aware of the potential hazards. Children must not play with the device. Cleaning and maintenance must not be done by children unless they are over the age of 8 and under supervision.
- Only use the device indoors, in dry areas and not in the vicinity of water, other liquids or humidity.
- Do not use the device if it, the cable or power plug has fallen into water or any kind of fluid.
- Never immerse the device, cable and power plug in water or any kind of fluid.
- Do not pick up the device if it has fallen into water or any kind of fluid. Remove the plug from the power socket immediately. Do not use the device again.
- Place the device on a flat and stable surface, in a place where it cannot fall over.



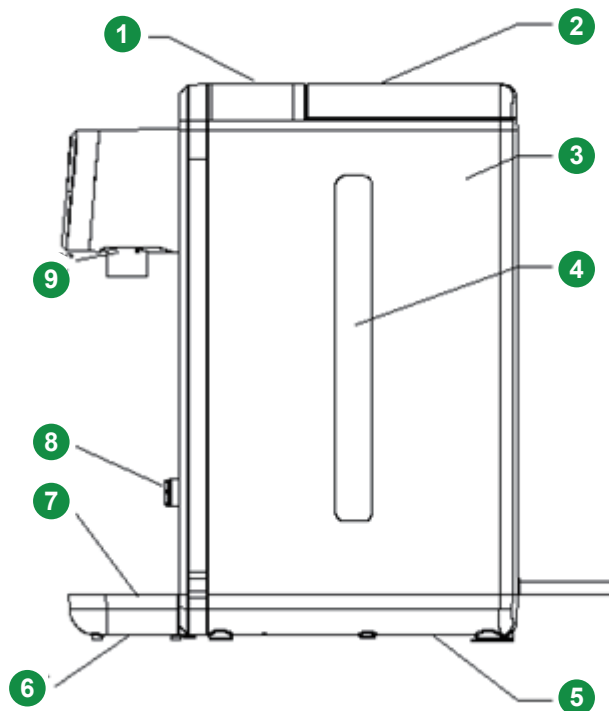
• **Caution!** Dispelled water is hot. Do not touch it to avoid burning yourself.

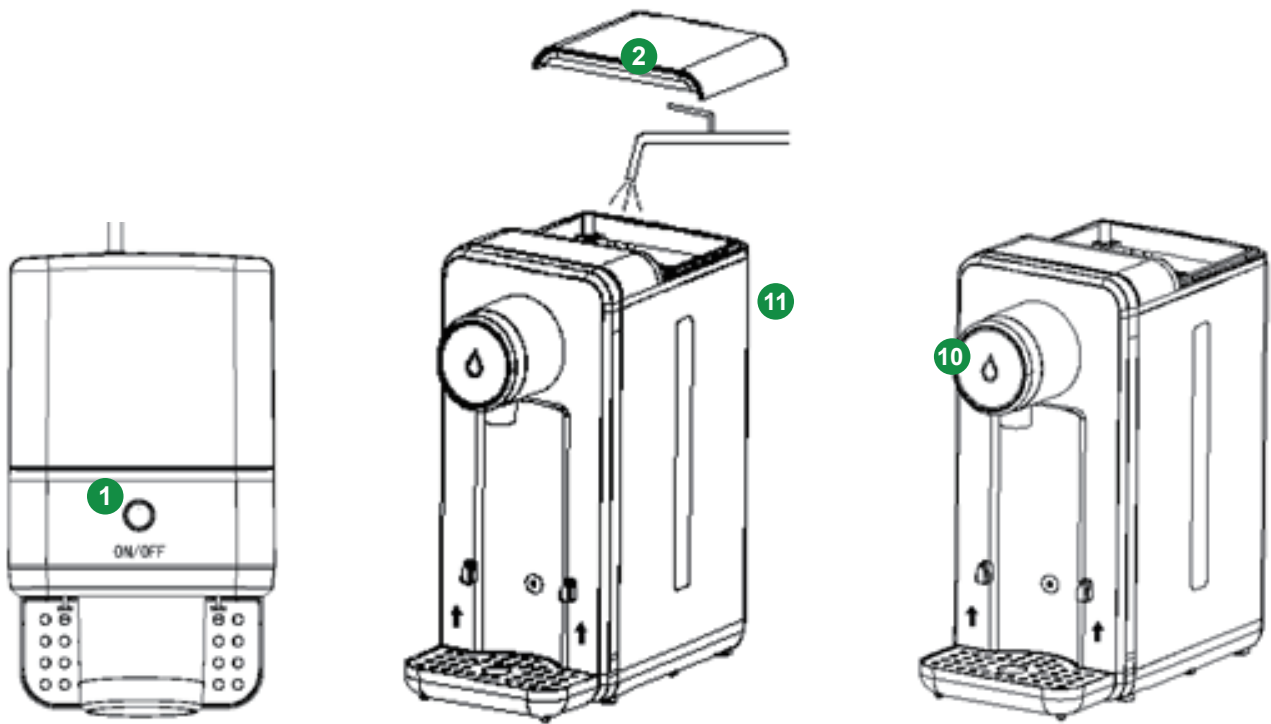
- The device is equipped with an overheating safety feature. This is activated if the temperature becomes too high. If this is the case, you must let the device cool down before it can be used again. Switch OFF the device and then remove the plug from the power socket. Allow the device to fully cool down. The device needs approximately 30 minutes to fully cool down.
- Remove the power plug from the power socket if the device is unused for long periods of time.
- When removing the plug from the power socket, pull the plug itself, not the cable.
- Do not operate the device using an external time switch or a separate remote control system.

3) INSTALLING AND USING THE DEVICE

Open the packaging carefully before taking out the device. Make sure the device is complete and undamaged. If any components are missing or damaged, contact the vendor and do not use the product. Retain the packaging or recycle it in accordance with local regulations.

Parts & features device





Description of buttons:

- ① Power ON/OFF button.
- ② Water tank cover
- ③ Water tank
- ④ Water gauge
- ⑤ Bottom cover
- ⑥ Drip tray
- ⑦ Drip tray plate
- ⑧ Drip tray holders
- ⑨ Sprout / dispenser
- ⑩ Light indicator
- ⑪ Water tank holes.

First use:

- Remove the device and accessories from the box. Remove any stickers, protective film or plastic from the device.
- **Make sure the plug is removed from the power socket.**
- Before you use the device for the first time, wipe all the removable parts with a damp cloth. Never use aggressive or abrasive cleaning materials, a scouring sponge or steel wool; this damages the device.
- Clean the water tank before first use. Fill the water tank with clean water, remove the water from the water tank by turning over the device, dry the water tank compartment with a dry cloth. Repeat these steps \pm 3 times.
- Do not use any washing up liquids in the water tank!
- Place the device on a flat, stable surface, in a place where it cannot fall over.
- Connect the device to the mains power.
- The device is now ready for use.

DISPENSING

- Place the device on a flat, stable surface, in a place where it cannot fall over.
- Remove the water tank cover ② and fill the water tank ③ with clean water. Make sure the water tank is filled at least above the "MIN" mark and not above the "MAX" mark on the water gauge ④.
- There are holes in the tank above the "MAX" indication mark, which will release water in case of overfilling and avoid vacuum from being created in the tank compartment.
- Close the water tank by placing the water tank cover ② back on the water tank ③.
- Place your cup on the removable drip tray ⑥ and make sure it aligns with the spout ⑨
- Press the power ON/OFF button ①, which lights up blue. After \pm 5 to 10 seconds the device starts to dispense 200 ml of hot water. Once finished the device switches off automatically.
- Press the power ON/OFF button ① twice, which lights up green. After \pm 5 to 10 seconds the device starts to dispense hot water continuously. Once the desired volume has been reached, press the power ON/OFF button

1 to stop the device from dispensing, after which it will switch off automatically.

• When the water tank is out of water, the power ON/OFF button 1 flashes blue and green alternately for ± 30 seconds, indicating you need to refill the water tank. 3



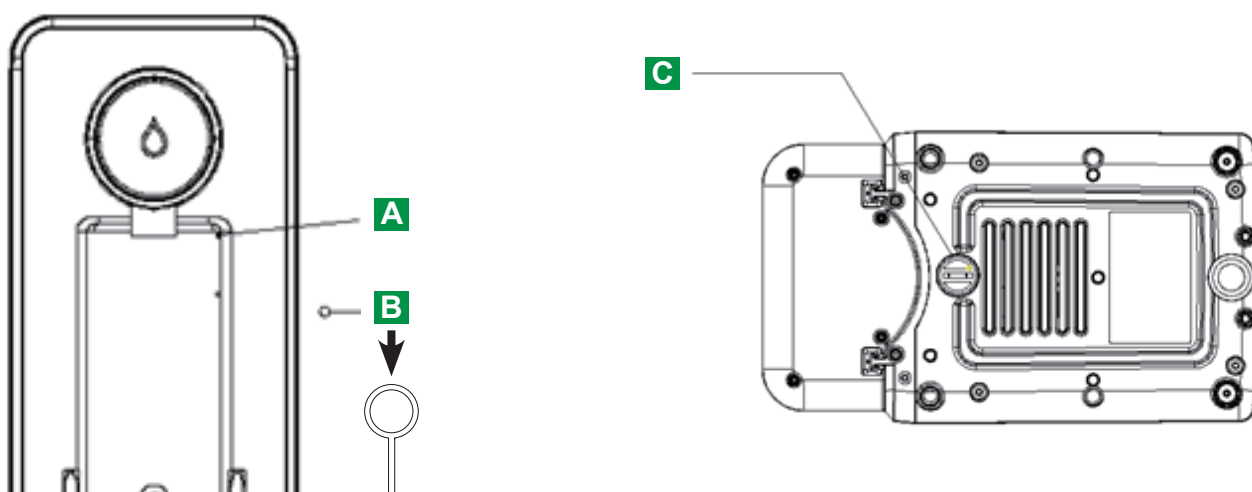
• **Caution:** Prevent burns. Do not touch the hot boiling water; it is very hot.

• If you are not going to continue using the device, remove the plug from the power socket.

Thermostat

The device features a built-in thermostat that automatically shuts OFF the device in case of overheating or abnormal operation. If the device becomes too hot (overheating), the thermostat and fuse will activate and stop the device from working. Let it cool down for approximately 15 minutes and the fuse will reset automatically. The device can be used again.

In case the device does not operate normally after it has cooled down, it is recommended to reset the thermostat fuse manually by pushing the reset button key B in the small reset buttonhole A, until you hear a click. Please use the reset button key B for this action.



Drainage stopper

In case the device will not be used for a long period of time, clean it and remove the wastewater.

Open the drainage stopper C by turning it counterclockwise, so the wastewater can flow out. Once all the wastewater has been removed, place the drainage stopper C back by turning it clockwise and make sure it tightens well.

Note! In case of any water leakage after filling the water tank, check that the drainage stopper is properly tightened.

Drip tray

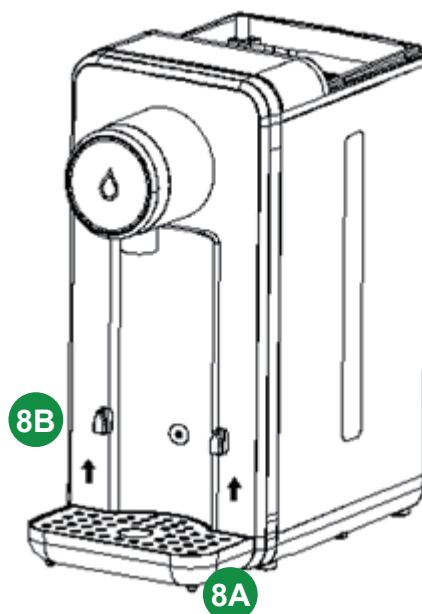
The device is equipped with a removable and variable drip tray. Depending on the cup size used, the drip tray can be placed on 2 different heights. The difference between the 2 heights is 7 cm.

When the drip tray is mounted on the lowest position 8A, the available space between the drip tray and spout = 17 cm.

When the drip tray is mounted on the highest position 8B, the available space between the drip tray and spout = 10 cm.

When the drip tray is full, hold the device on top, and remove the drip tray by moving it upwards, releasing it from the drip tray holders.

Empty the drip tray, rinse it with running water, dry it with a dry cloth and place it back at the desired height, sliding it over the drip tray holders 8A or 8B with a gentle push.



4) CLEANING - MAINTENANCE & DESCALING



Descaling

To maintain its performance, it is recommended to descale the device on a monthly basis in case of regular use.



Only use a toxic free detergent such as citric acid or vinegar!

Pour some citric acid or vinegar into the water tank. Dispense the liquid until the tank is empty.

Repeat this two or three times, to get rid of the scale completely.

After completion, the water tank and device need to be cleaned.

Pour out all boiled water and add pure water. Dispense the water until the tank is empty.

Repeat this two or three times, each time with new fresh water, before you consume the dispensed water.

Important notice!

Once the device reaches a cumulative use of 10 hours, the green light will flash 10 on the dispenser to remind you to descale the device.

After descaling: Press the power ON/OFF button 1 for 5 seconds to unlock the descaling light indicator 10. The green light will stop flashing and the device is ready for use.

Cleaning and maintenance

- Remove the plug from the power socket and allow the device to fully cool down.
- Never immerse the device in water or any other liquid.
- Clean the device after each use.
- Clean the casing and insides with a damp cloth.
- Do not use any washing up liquids in the water tank!
- Never use aggressive or abrasive cleaning materials, a scouring sponge or steel wool; these damages the device.
- Dry the device thoroughly.
- Store the device in a dry place.

5) SPECIFICATIONS

- Voltage input: 220-240 V~, 50/60 Hz
- Power: 2200-2600 W
- Temperature range: 95-100 °C
- Timer range: 1-60 minutes
- Tank capacity: 2.5 L
- Dimensions: 30 x 14 x 24 (H x W x D)
- Weight: 1.7 kg.

6) STORAGE & TRANSPORTATION

- When storing the device, it should first be cleaned in accordance with this user manual. The device should be stored in its original packaging.
- Always store the device in a dry and well-ventilated room and beyond the reach of children.
- Protect the device against vibrations and shocks during transport.

All contents and specifications mentioned in this manual are subject to change without prior notice.

INSTRUCTIONS FOR PROTECTING THE ENVIRONMENT

(WEEE, the waste electrical and electronic equipment directive)



Your product has been manufactured using high quality materials and components which can be recycled and used again. At the end of its life span, this product cannot be disposed of in normal domestic waste, but must be taken to a special collection point for recycling electrical and electronic equipment. This is indicated in the user manual and in the packaging by the waste container marked with a cross symbol. Used raw materials are suitable for recycling.

By recycling used appliances or raw materials, you are playing an important role in protecting our environment. You can ask your local council about the location of your nearest collection point.



GEBRUIKSHANDLEIDING: MAGNANI – INSTANT HEETWATERDISPENSER


MODEL: MI-HA-IHWDO1-B

INHOUDSOPGAVE

- 1) Inhoud verpakking
- 2) Veiligheidsinstructies
- 3) Installatie en gebruik van het product
- 4) Reiniging – onderhoud en ontkalken
- 5) Specificaties
- 6) Opslag en transport



1) INHOUD VERPAKKING

- Instant heetwaterdispenser
- Gebruikshandleiding
- Resettoets 



2) VEILIGHEIDSINSTRUCTIES

Neem altijd de volgende voorzorgsmaatregelen in acht wanneer u gebruik maakt van de 'Magnani - Instant heetwaterdispenser', hierna te noemen het 'apparaat'.



WAARSCHUWING!



**Het water dat uit het apparaat komt, is heet.
Raak het water niet aan om te voorkomen dat u zich verbrandt.**

Algemene informatie

- Lees de gebruiksaanwijzingen zorgvuldig en bewaar ze op een veilige plek. Als u dit apparaat aan iemand anders geeft, geef deze handleiding daar dan bij.
- Gebruik dit apparaat uitsluitend volgens de instructies in deze gebruikershandleiding.
- Dit apparaat mag worden gebruikt door kinderen van 8 jaar en ouder, personen met beperkte fysieke, zintuigelijke of mentale vermogens of personen met gebrek aan ervaring en kennis, mits ze in de gaten worden gehouden of instructies hebben gekregen over het veilige gebruik van het apparaat en zich bewust zijn van de mogelijke gevaren ervan. Laat kinderen nooit met het apparaat spelen. Reiniging en onderhoud dienen niet te worden uitgevoerd door kinderen, tenzij ze ouder zijn dan 8 en onder toezicht staan van een volwassene.
- Dit apparaat is uitsluitend bedoeld voor huishoudelijke doeleinden of vergelijkbaar gebruik, niet voor professioneel gebruik.



- **WAARSCHUWING!** Laat verpakkingsmateriaal niet onbeheerd rondslingeren. Het kan gevaar opleveren wanneer kinderen ermee spelen. **Kans op verstikking!**

Elektriciteit en warmte

- Controleer vóór gebruik of de netspanning gelijk is aan de spanning vermeld op het typeplaatje van het apparaat.
- Zorg ervoor dat uw handen droog zijn voordat u het apparaat, het stroomsnoer of de stekker aanraakt.
- Steek de stekker in een geaard stopcontact dat op elk moment gemakkelijk bereikbaar is.



- **WAARSCHUWING!** Bedek de stekker of het stroomsnoer nooit met doeken, gordijnen of enig ander materiaal om oververhitting en mogelijk zelfs brand te voorkomen.

- Zorg ervoor dat het apparaat en het stroomsnoer niet in aanraking komen met hittebronnen, zoals een hete kookplaat of open vuur.
- Het apparaat moet de warmte kunnen afvoeren om brandgevaar te voorkomen. Zorg er daarom voor dat het apparaat wordt omringd door voldoende vrije ruimte (ten minste 10 cm aan alle kanten) en dat het apparaat niet in de buurt van of op brandbare materialen ligt.



• **WAARSCHUWING!** Dek het apparaat niet af om oververhitting en brandgevaar te voorkomen.

- Controleer het stroomsnoer regelmatig op beschadigingen.
- Gebruik het apparaat niet als het snoer of de stekker beschadigingen vertoont of als het apparaat op de grond is gevallen of andere sporen van schade vertoont.
- Schakel het apparaat uit en haal de stekker uit het stopcontact als u tijdens het gebruik fouten ontdekt, tekenen van beschadiging aantreft, het apparaat niet gebruikt of het schoonmaakt.
- Zorg ervoor dat niemand op het stroomsnoer kan gaan staan of dat het snoer anderszins beklemd kan raken.
- Laat het stroomsnoer niet over scherpe randen hangen en houd het uit de buurt van hete voorwerpen en open vuur.
- Wanneer u de stekker in het stopcontact steekt, moet u ervoor zorgen dat anderen deze niet per ongeluk los kunnen trekken of over het stroomsnoer kunnen struikelen.
- Haal de stekker uit het stopcontact als het onweert of als u het apparaat gedurende langere tijd niet gebruikt.
- Gebruik een snoer van 10 ampère als er een verlengsnoer nodig is. Snoeren met een lager amperage kunnen doorbranden.
- Wanneer u een verlengsnoer gebruikt, rol dit dan volledig uit.



• **WAARSCHUWING!** Om de kans op brand of een elektrische schok te verminderen moet u het apparaat beschermen tegen druppelend of opspattend water en uit de buurt houden van vochtige omgevingen en met water gevulde voorwerpen, zoals vazen. Dergelijke voorwerpen mogen niet op of in de buurt van het apparaat worden geplaatst.

Gebruik

- Gebruik het apparaat niet in de buurt van brandbare materialen.
- **Laat het apparaat nooit onbeheerd achter als het in gebruik is.**
- Raak de watertuit of het water dat vrijkomt niet aan wanneer het apparaat in gebruik is.



• Raak de stoomuitlaat tijdens het gebruik van het apparaat niet met de hand of op andere wijze aan en blokkeer deze niet.



• Om brandwonden als gevolg van hete stoom of mogelijke storingen te voorkomen, moet u het deksel van het waterreservoir niet te haastig openen.



• Gebruik uw handen of andere lichaamsdelen niet om de temperatuur of de stoom van het apparaat te voelen terwijl het in gebruik is.

- Gebruik het apparaat niet om iets anders te verhitten dan water.
- Vul het waterreservoir van het apparaat niet boven de 'MAX'-aanduiding.
- Gebruik het apparaat niet als het waterniveau lager is dan 'MIN'
- Om schade aan het verwarmingselement te voorkomen, raden wij u aan het apparaat niet te gebruiken zonder water of wanneer het waterniveau lager is dan het minimum niveau.
- Plaats het apparaat op een stabiele en vlakke ondergrond, op een plek waar het niet kan omvallen of worden omgestoten. Dit zou kunnen leiden tot brandwonden.
- Leun niet op het apparaat.
- Gebruik het apparaat niet ondersteboven.
- Plaats het apparaat niet in een werkende desinfectiekast.
- Gebruik het apparaat niet in de koelkast of vriezer.
- Verplaats het apparaat nooit als het ingeschakeld of nog warm is. Schakel het apparaat eerst uit en verplaats het pas als het is afgekoeld.
- Maak het apparaat na gebruik grondig schoon (zie 'Reiniging en onderhoud').
- Vermijd locaties die blootstaan aan trillingen, vrieskou of vochtigheid.
- Bescherm het apparaat tegen direct zonlicht, warmtebronnen, overmatige vochtigheid en corrosieve omgevingen.
- Zorg ervoor dat het apparaat niet wordt blootgesteld aan enige mechanische belasting.
- Het apparaat kan beschadigd raken als het verkeerd wordt gebruikt.
- Ga voorzichtig met het apparaat om. Het apparaat kan beschadigd raken door een stoot of val, zelfs van een geringe hoogte.
- Open de behuizing niet, omdat u dan kans loopt op een elektrische schok.

- Probeer het apparaat niet te demonteren, te repareren of anderszins aan te passen.
- Het apparaat moet worden gerepareerd als er sprake is van enige vorm van schade, wanneer bijvoorbeeld het stroomsnoer of de stekker is beschadigd, voorwerpen in het apparaat zijn gevallen, het apparaat is blootgesteld aan regen of vocht, het apparaat is gevallen of het apparaat niet goed functioneert.
- Gebruik geen schurende schoonmaakmiddelen om het apparaat te reinigen.
- Gebruik geen vreemde voorwerpen om het apparaat te reinigen.



Belangrijke informatie – volg deze instructies op

- Dit apparaat mag worden gebruikt door kinderen van 8 jaar en ouder, personen met beperkte fysieke, zintuiglijke of mentale vermogens of personen met gebrek aan ervaring en kennis, mits ze in de gaten worden gehouden of instructies hebben gekregen over het veilige gebruik van het apparaat en zich bewust zijn van de mogelijke gevaren ervan. Laat kinderen nooit met het apparaat spelen. Reiniging en onderhoud dienen niet te worden uitgevoerd door kinderen, tenzij ze ouder zijn dan 8 en onder toezicht staan van een volwassene.
- Gebruik het apparaat uitsluitend binnenshuis, in droge gebieden en niet in de buurt van water, andere vloeistoffen of vocht.
- Gebruik het apparaat niet als het apparaat, het stroomsnoer of de stekker in water of een andere vloeistof is gevallen.
- Dompel het apparaat, het snoer of de stekker nooit onder in water of een andere vloeistof.
- Pak het apparaat niet op als het in het water of een andere vloeistof is gevallen. Trek onmiddellijk de stekker uit het stopcontact. Gebruik het apparaat niet meer.
- Plaats het apparaat op een stabiele en vlakke ondergrond, op een plek waar het niet kan omvallen.



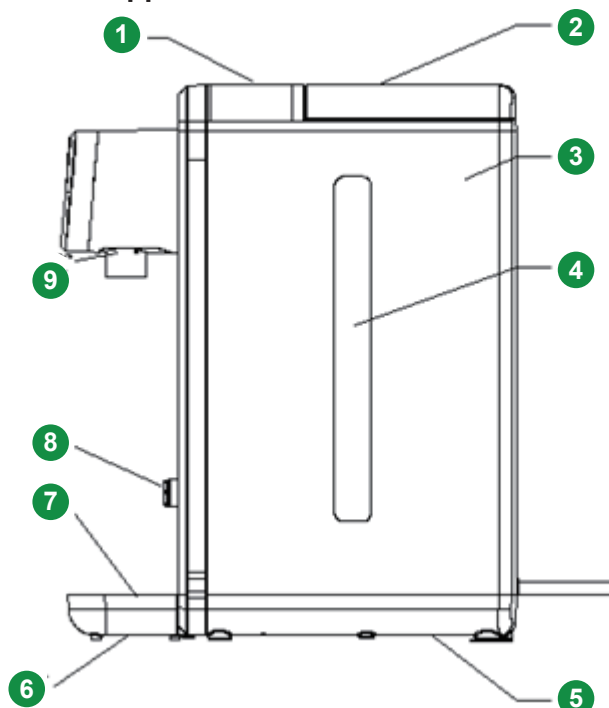
• **Voorzichtig!** Het water dat uit het apparaat komt, is heet. Raak het water niet aan om te voorkomen dat u zich verbrandt.

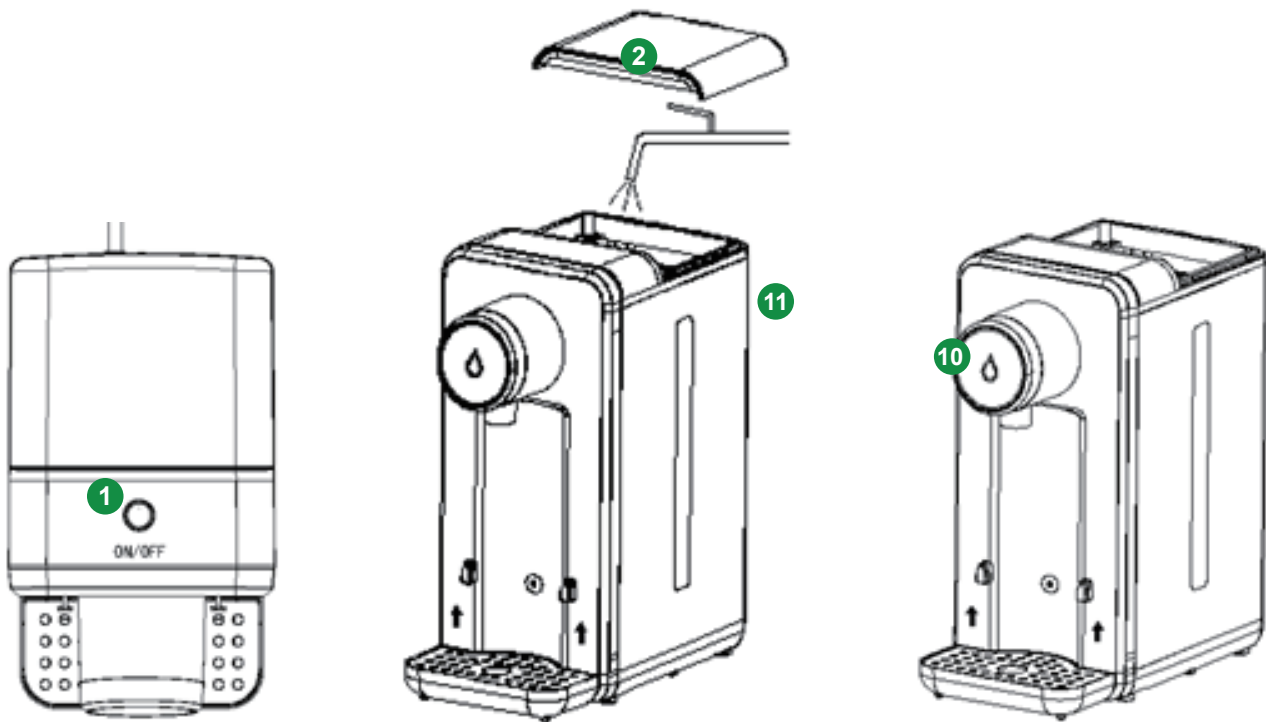
- Het apparaat is voorzien van een beveiliging tegen oververhitting. Deze wordt ingeschakeld wanneer de temperatuur te hoog oploopt. In dit geval moet het apparaat eerst afkoelen voordat u het weer kunt gebruiken. Schakel het apparaat uit en trek daarna de stekker uit het stopcontact. Laat het apparaat volledig afkoelen. Het duurt ongeveer 30 minuten voordat het apparaat volledig is afgekoeld.
- Haal de stekker uit het stopcontact als u het apparaat gedurende langere tijd niet gebruikt.
- Als u de stekker uit het stopcontact trekt, moet u aan de stekker zelf trekken en niet aan het snoer.
- Gebruik het apparaat niet met een externe tijdschakelaar of een afzonderlijke afstandsbediening.

3) INSTALLATIE EN GEBRUIK VAN HET APPARAAT

Open de verpakking voorzichtig en haal het apparaat eruit. Controleer of het apparaat volledig en onbeschadigd is. Mochten er onderdelen beschadigd zijn of ontbreken, neem dan contact op met de verkoper en gebruik het product niet. Bewaar de verpakking of recycle deze zoals voorgeschreven door lokale regelgeving.

Onderdelen en functies van het apparaat





Beschrijving van de toetsen:

- ① AAN-/UIT-knop.
- ② Deksel waterreservoir
- ③ Waterreservoir
- ④ Vulstandindicator
- ⑤ Onderplaat
- ⑥ Opvangbak
- ⑦ Plaat opvangbak
- ⑧ Houders opvangbak
- ⑨ Tuit / dispenser
- ⑩ Indicatielampje
- ⑪ Gaten waterreservoir

Eerste gebruik:

- Haal het apparaat en de accessoires uit de doos. Verwijder eventuele stickers, beschermfolie of plastic van het apparaat.
- **Zorg ervoor dat de stekker is verwijderd uit het stopcontact.**
- Voordat u het apparaat voor het eerst gebruikt, moet u alle verwijderbare onderdelen schoonvegen met een vochtige doek. Gebruik nooit agressieve of schurende schoonmaakmiddelen, een schuurspons of staalwol. Dit kan het apparaat, de binnenkant en de accessoires beschadigen.
- Reinig het waterreservoir voordat u het apparaat voor het eerst gebruikt. Vul het waterreservoir met schoon water, verwijder het water uit het waterreservoir door het apparaat om te draaien en droog het waterreservoir daarna met een droge doek. Herhaal deze stappen ongeveer 3 keer.
- Gebruik geen afwasmiddel in het waterreservoir!
- Plaats het apparaat op een stabiele en vlakke ondergrond, op een plek waar het niet kan omvallen.
- Sluit het apparaat aan op de netvoeding.
- Het apparaat is nu klaar voor gebruik.

DISPENSER

- Plaats het apparaat op een stabiele en vlakke ondergrond, op een plek waar het niet kan omvallen.
- Verwijder het deksel van het waterreservoir ② en vul het waterreservoir ③ met schoon water. Zorg ervoor dat het waterreservoir ten minste tot boven de 'MIN'-aanduiding en niet boven de 'MAX'-aanduiding op de watermeter ④ is gevuld.
- In het reservoir zitten boven de MAX'-aanduiding gaten, waardoor water vrijkomt bij overvulling en er geen vacuüm ontstaat in het waterreservoir.
- Sluit het waterreservoir door het deksel van het waterreservoir ② weer op het waterreservoir ③ te plaatsen.
- Plaats uw beker op het verwijderbare lekbakje ⑥ en zorg ervoor dat deze recht onder de tuit ⑨ staat.
- Wanneer u op de AAN-/UIT-knop ① drukt, wordt het lampje daarvan blauw. Na ongeveer 5 tot 10 seconden

geeft het apparaat 200 ml heet water vrij. Daarna schakelt het apparaat automatisch uit.

- Wanneer u nu op de AAN-/UIT-knop ① twee maal drukt, wordt het lampje daarvan groen. Na ongeveer 5 tot 10 seconden geeft het apparaat continu heet water vrij. Zodra het gewenste volume is bereikt, drukt u op de AAN-/UIT-knop ① om de stroom water te stoppen, waarna het apparaat automatisch wordt uitgeschakeld.
- Wanneer het waterreservoir geen water meer bevat, knippert de AAN-/UIT-knop ① gedurende ongeveer 30 seconden afwisselend blauw en groen, om aan te geven dat u het waterreservoir moet bijvullen. ③



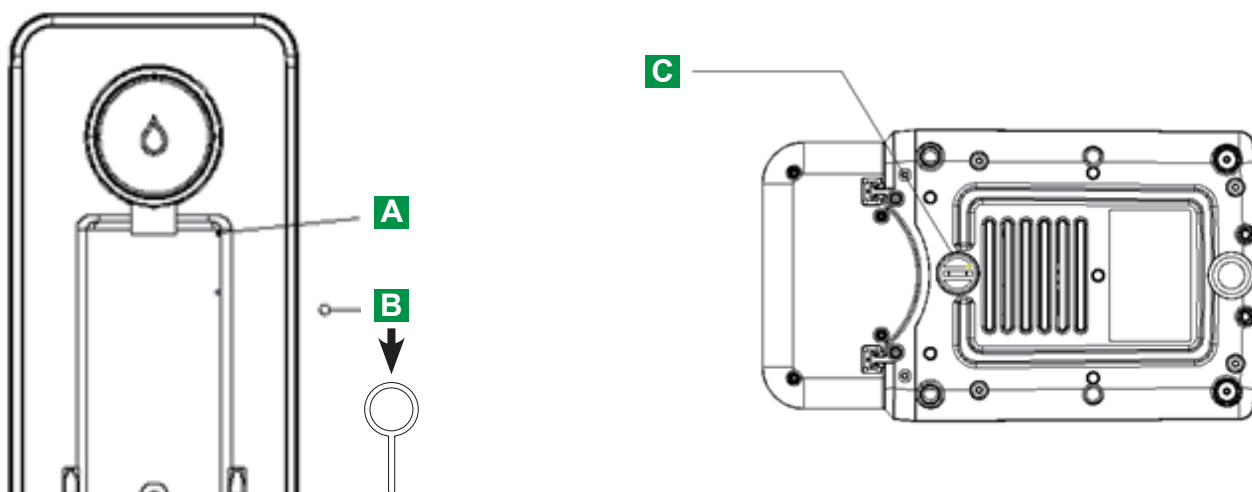
• **Voorzichtig:** Voorkom brandwonden. Raak het kokend hete water niet aan; het is erg heet.

- Haal de stekker uit het stopcontact als u het apparaat niet meer gebruikt.

Thermostaat

Het apparaat is voorzien van een ingebouwde thermostaat die het apparaat automatisch uitschakelt in geval van oververhitting of onjuiste werking. Als het apparaat te heet wordt (oververhitting), worden de thermostaat en zekering geactiveerd, waardoor het apparaat niet meer werkt. Laat het apparaat ongeveer 15 minuten afkoelen; daarna wordt de zekering automatisch gereset. Het apparaat kan nu weer worden gebruikt.

Als het apparaat niet normaal werkt nadat het is afgekoeld, raden wij u aan de thermostaatzekering handmatig te resetten door op de resetknop **B** in de kleine uitsparing van de resetknop **A** te drukken, totdat u een klik hoort. Gebruik hiervoor de reset-knop **B**.



Aftapplug

Wanneer u het apparaat gedurende langere tijd niet gebruikt, moet u het reinigen en het afvalwater verwijderen.

Open de aftapplug **C** door deze linksom te draaien, zodat het afvalwater kan wegstromen. Nadat al het afvalwater is verwijderd, plaatst u de aftapplug **C** terug door deze rechtsom te draaien. Draai de plug goed vast.

Let op! Wanneer er na het vullen van het waterreservoir water lekt, controleer dan of de aftapplug goed is aangedraaid.

Opvangbak

Het apparaat is uitgerust met een verwijderbare en verstelbare lekbak. Afhankelijk van het gebruikte formaat beker, kan de lekbak op 2 verschillende hoogten worden geplaatst. Het verschil tussen de 2 hoogtes is 7 cm.

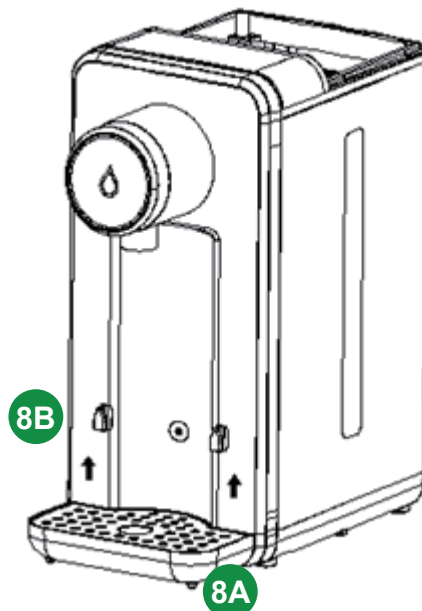
Wanneer de lekbak op de laagste stand **8A** is gemonteerd, is de beschikbare ruimte tussen de lekbak en de tuit 17 cm.

Wanneer de lekbak op de hoogste stand **8B** is gemonteerd, is de beschikbare ruimte tussen de lekbak en de tuit 10 cm.

Wanneer de lekbak vol is, houdt u het apparaat aan de bovenkant vast en verwijdert u de lekbak door deze omhoog te bewegen. Hierdoor komt de lekbak los van de lekbakhouders.

Leeg de lekbak, spoel deze af met stromend water, droog de lekbak met een droge doek en plaats de lekbak weer terug op de gewenste hoogte. Schuif de lekbak met een zachte druk over de lekbakhouders

8A of **8B**.



4) REINIGING - ONDERHOUD EN ONTKALKEN



Ontkalken

Om de prestaties te behouden, raden wij u aan het apparaat maandelijks te ontkalken, als u het regelmatig gebruikt.



Gebruik uitsluitend een gifvrij reinigingsmiddel zoals citroenzuur of azijn!

Giet wat citroenzuur of azijn in het waterreservoir. Tap de vloeistof af tot het reservoir leeg is.

Herhaal dit twee of drie keer, om de kalkaanslag volledig te verwijderen.

Als u klaar bent, moeten het waterreservoir en het apparaat worden gereinigd.

Giet al het gekookte water eruit en voeg vers water toe. Tap het water af tot het reservoir leeg is.

Herhaal dit twee of drie keer, telkens met nieuw vers water, voordat u het getapte water drinkt.

Belangrijke informatie!

Zodra het apparaat in totaal 10 uur is gebruikt, gaat het groene lampje 10 op de dispenser knipperen om u eraan te herinneren het apparaat te ontkalken.

Na het ontkalken: Druk 5 seconden op de AAN-/UIT-knop 1 om het indicatielampje voor ontkalken 10 te ontgrendelen. Het groene lampje stopt met knipperen en het apparaat is klaar voor gebruik.

Reiniging en onderhoud

- Haal de stekker uit het stopcontact en laat het apparaat volledig afkoelen.
- Dompel het apparaat nooit onder in water of een andere vloeistof.
- Reinig het apparaat na elk gebruik.
- Reinig de buiten- en binnenkant van het apparaat met een vochtige doek.
- Gebruik geen afwasmiddel in het waterreservoir!
- Gebruik nooit agressieve of schurende schoonmaakmiddelen, een schuurspons of staalwol. Deze kunnen het apparaat beschadigen.
- Droog het apparaat goed af.
- Berg het apparaat op een droge plaats op.

5) SPECIFICATIES

- Invoerspanning: 220-240 V~, 50/60 Hz
- Voeding: 2200-2600 W
- Temperatuurbereik: 95-100 °C
- Bereik timer: 1-60 minuten
- Capaciteit waterreservoir: 2,5 L
- Afmetingen: 30 x 14 x 24 H x B x D)
- Gewicht: 1,7 kg.

6) OPSLAG EN TRANSPORT

- Voordat u het apparaat opbergt, moet u het eerst reinigen zoals beschreven in deze gebruikershandleiding. Bewaar het apparaat in de oorspronkelijke verpakking.
- Berg het apparaat altijd op in een droge, goed geventileerde ruimte, buiten bereik van kinderen.
- Bescherm het apparaat tijdens transport tegen trillingen en schokken.

Alle in deze handleiding vermelde informatie en specificaties kunnen zonder voorafgaande kennisgeving worden gewijzigd.

INSTRUCTIES VOOR DE BESCHERMING VAN HET MILIEU

(AEEA, de richtlijn voor afgedankte elektrische en elektronische apparatuur)



Dit product is vervaardigd van kwalitatief hoogwaardige materialen en onderdelen die gerecycled en opnieuw gebruikt kunnen worden. Na afloop van zijn levensduur mag dit product niet worden meegegeven met het huishoudelijk afval, maar moet het naar een speciaal inzamelpunt voor het recyclen van elektrische en elektronische apparatuur worden gebracht. Dit wordt in de handleiding en op de verpakking weergegeven door de afvalcontainer met een kruis erdoor. De gebruikte grondstoffen kunnen worden gerecycled.

Door het recyclen van gebruikte apparatuur of grondstoffen, speelt u een belangrijke rol bij de bescherming van het milieu. U kunt bij de gemeente informeren waar het dichtstbijzijnde inzamelpunt is.

MANUEL D'UTILISATION : MAGNANI – DISTRIBUTEUR D'EAU CHAUDE INSTANTANÉE


MODEL: MI-HA-IHWDO1-B

SOMMAIRE

- 1) Contenu du paquet
- 2) Instructions de sécurité
- 3) Installation et utilisation du produit
- 4) Nettoyage – maintenance & détartrage
- 5) Spécifications
- 6) Stockage & transport



1) CONTENU DU PAQUET

- Distributeur d'eau chaude instantanée
- Manuel d'utilisation
- Clé de réinitialisation 



2) INSTRUCTIONS DE SÉCURITÉ

Les précautions suivantes doivent toujours être observées avant l'utilisation du « Magnani – Distributeur d'eau chaude instantanée », appelé par la suite « l'appareil ».



AVERTISSEMENT !



**L'eau distribuée par l'appareil est très chaude.
Ne pas la toucher pour éviter de vous brûler.**

Informations générales

- Lire attentivement le manuel d'utilisation et bien le conserver. Si cet appareil est remis à une autre personne, lui remettre aussi ce manuel d'utilisation.
- Utiliser cet appareil uniquement comme décrit dans ce manuel d'utilisation.
- Cet appareil peut être utilisé par les enfants de 8 ans et plus, par les personnes dont les capacités physiques, sensorielles ou mentales sont limitées, par ceux qui manquent d'expérience et de connaissances, à condition que ces enfants ou personnes soient surveillés ou qu'ils aient reçu les instructions nécessaires pour utiliser l'appareil en toute sécurité et qu'ils soient conscients des risques possibles. Les enfants ne doivent pas jouer avec l'appareil. Le nettoyage et la maintenance ne doivent pas être effectués par des enfants, à moins qu'ils aient plus de 8 ans et qu'ils soient sous la surveillance d'un adulte.
- Cet appareil est destiné à un usage domestique ou similaire, et pas à un usage professionnel.



- **AVERTISSEMENT !** Ne pas laisser traîner le matériel d'emballage. Celui-ci pourrait être dangereux pour les jeux d'enfants. **Risque de suffocation !**

Électricité et chaleur

- Avant l'utilisation, vérifier si la tension secteur est identique à la tension secteur indiquée sur l'appareil.
- S'assurer d'avoir les mains sèches avant de toucher l'appareil, le cordon ou la fiche.
- Brancher la fiche sur une prise de courant mise à la terre facilement accessible à tout moment.



- **AVERTISSEMENT !** Ne jamais recouvrir la fiche ou le cordon de tissus, rideaux ou autres matières, pour

éviter la surchauffe et les éventuels risques d'incendie.

- S'assurer que l'appareil et le cordon d'alimentation n'entrent pas en contact avec des sources de chaleur telles qu'une plaque de cuisson brûlante ou une flamme nue.
- L'appareil doit pouvoir laisser échapper sa chaleur pour éviter les risques d'incendie. S'assurer donc qu'il y ait toujours assez d'espace libre autour de l'appareil (au moins 10 cm de tous côtés) et ne pas placer l'appareil contre, sur ou à proximité de matériaux combustibles.



• **AVERTISSEMENT !** Ne pas recouvrir l'appareil pour éviter la surchauffe et les éventuels risques d'incendie.

- Contrôler régulièrement si le cordon d'alimentation n'est pas endommagé.
- Ne jamais utiliser l'appareil si le cordon d'alimentation est endommagé, si l'appareil est tombé par terre ou s'il présente d'autres dommages.
- Éteindre l'appareil et retirer la fiche de la prise de courant si vous constatez des défauts ou des dommages pendant l'utilisation, si l'appareil n'est pas utilisé ou lorsqu'il est nettoyé.
- S'assurer que le cordon d'alimentation ne puisse pas être piétiné ou coincé.
- Ne pas laisser pendre le cordon d'alimentation sur des bords tranchants, et le garder éloigné d'objets chauds et de flammes nues.
- Lorsque la fiche est branchée, faire attention à ce que personne ne puisse tirer accidentellement ou trébucher sur le cordon.
- Retirer la fiche de la prise de courant lors d'orages ou lorsque l'appareil reste inutilisé pendant de longues périodes.
- Si une rallonge est nécessaire, utilisez un cordon de 10 ampères. Les cordons à ampérage inférieur peuvent griller.
- Lorsqu'une rallonge est utilisée, celle-ci doit être entièrement déroulée.



• **AVERTISSEMENT !** Pour réduire le risque d'incendie ou de choc électrique, protéger l'appareil contre les ruissellements ou éclaboussures d'eau et les endroits humides et le tenir à l'écart d'objets remplis de liquides, tels que des vases. De tels objets ne doivent pas être placés sur l'appareil ou à proximité.

Utilisation

- Ne pas utiliser l'appareil à proximité de matières inflammables.
- **Ne jamais laisser sans surveillance l'appareil en cours d'utilisation.**
- Ne pas toucher le robinet ou l'eau distribuée lors du fonctionnement de l'appareil.



• Lors du fonctionnement, ne pas toucher ou bloquer la sortie de vapeur de la main ou de toute autre manière.



• Ne pas ouvrir le couvercle du réservoir d'eau à la hâte, pour éviter les brûlures résultant de la vapeur chaude ou de tout autre dysfonctionnement.



• Ne pas utiliser les mains ou toute autre partie du corps pour sentir la température ou la vapeur de l'appareil lors du fonctionnement.

- Ne pas utiliser l'appareil pour chauffer autre chose que de l'eau.
- Ne pas remplir le réservoir d'eau de l'appareil au-dessus du niveau « MAX ».
- Ne pas faire fonctionner l'appareil si le niveau d'eau est inférieur à « MIN ».
- Ne pas faire fonctionner l'appareil sans eau, ou si l'eau se trouve en dessous du niveau minimal d'eau, pour éviter d'endommager l'élément chauffant.
- Poser l'appareil sur une surface stable et plane, à un endroit où il ne peut pas tomber ou être renversé soudainement, entraînant des brûlures.
- Ne pas s'appuyer sur l'appareil.
- Ne pas utiliser l'appareil sens dessus dessous.
- Ne pas placer l'appareil dans un cabinet de désinfection opérationnel.
- Ne pas utiliser l'appareil dans le réfrigérateur ou le congélateur.
- Ne jamais déplacer l'appareil tant qu'il est en marche ou encore chaud. D'abord éteindre l'appareil et le déplacer uniquement après qu'il ait refroidi.
- Après l'utilisation, nettoyer soigneusement l'appareil (voir « Nettoyage et maintenance »).
- Éviter les endroits soumis à des vibrations, le froid ou l'humidité.
- Ne pas exposer l'appareil à la lumière directe du soleil, des sources de chaleur, une humidité excessive ou un milieu corrosif.
- Ne pas exposer l'appareil à des contraintes mécaniques.
- Une utilisation inappropriée de l'appareil pourrait l'endommager.

- Manipuler l'appareil avec précaution. Tout choc ou chute, même de faible hauteur, peut endommager l'appareil.
- Ne pas ouvrir le boîtier car cela pourrait provoquer un choc électrique.
- Ne pas essayer de démonter ou de réparer l'appareil, ou de le modifier de quelque manière que ce soit.
- L'appareil doit être réparé s'il est endommagé de quelque manière que ce soit, par exemple si le cordon d'alimentation/la fiche est endommagé ; des objets sont tombés dans l'appareil ; il a été exposé à la pluie ou à l'humidité; il est tombé ou il ne fonctionne pas correctement.
- Ne pas utiliser de nettoyeurs abrasifs pour nettoyer l'appareil.
- Ne pas utiliser d'objets insolites pour nettoyer l'appareil.



Informations importantes, suivre ces instructions.

- Cet appareil peut être utilisé par les enfants de 8 ans et plus, par les personnes dont les capacités physiques, sensorielles ou mentales sont limitées, par ceux qui manquent d'expérience et de connaissances, à condition que ces enfants ou personnes soient surveillés ou qu'ils aient reçu les instructions nécessaires pour utiliser l'appareil en toute sécurité et qu'ils soient conscients des risques possibles. Les enfants ne doivent pas jouer avec l'appareil. Le nettoyage et la maintenance ne doivent pas être effectués par des enfants, à moins qu'ils aient plus de 8 ans et qu'ils soient sous la surveillance d'un adulte.
- Utiliser l'appareil uniquement à l'intérieur, dans des endroits secs et pas à proximité d'eau, autres liquides ou humidité.
- Ne pas utiliser l'appareil si l'appareil, le cordon ou la fiche sont tombés à l'eau ou dans un autre liquide.
- Ne jamais immerger l'appareil, le cordon et la fiche dans de l'eau ou un autre liquide.
- Ne pas ramasser l'appareil s'il est tombé à l'eau ou dans un autre liquide. Retirer immédiatement la fiche de la prise murale. Ne pas réutiliser l'appareil.
- Poser l'appareil sur une surface stable et plane, à un endroit où il ne peut pas tomber.



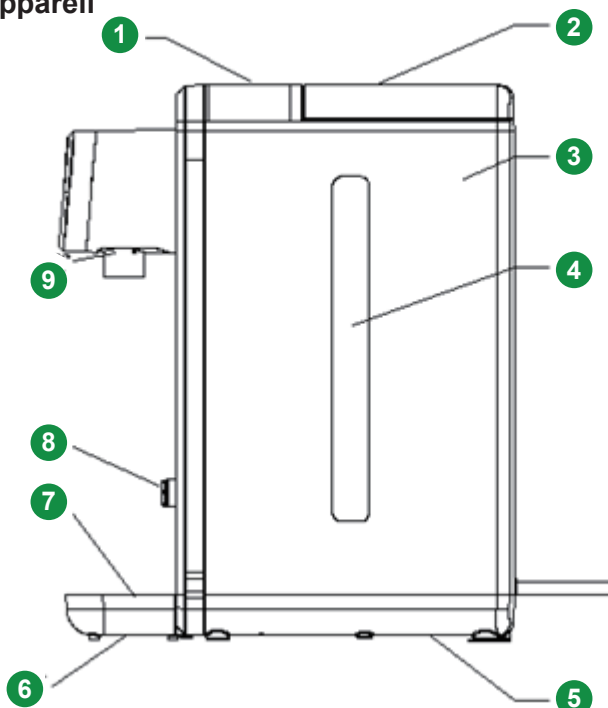
- **Attention !** L'eau distribuée est très chaude. Ne pas la toucher pour éviter de vous brûler.

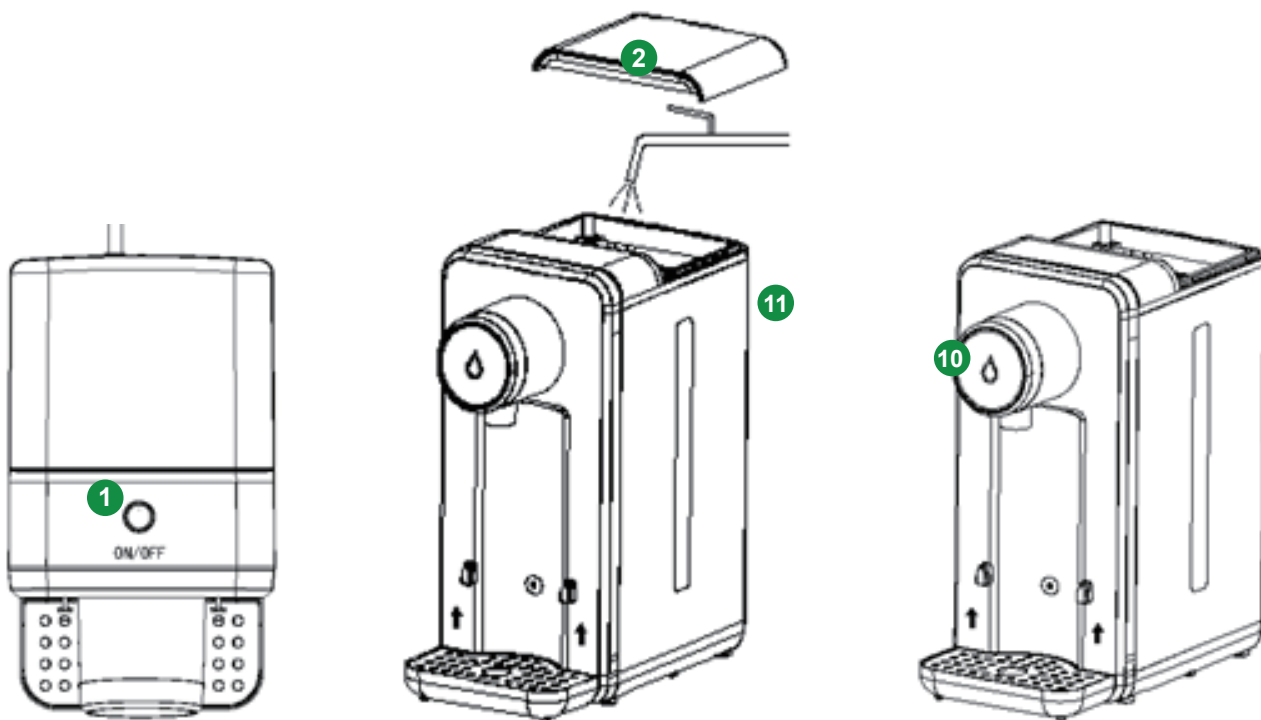
- L'appareil est équipé d'un dispositif de protection contre la surchauffe. Ce dispositif intervient lorsque la température devient trop élevée. En ce cas, il faut d'abord laisser refroidir l'appareil avant de pouvoir le réutiliser. Éteindre l'appareil puis retirer la fiche de la prise murale. Permettre à l'appareil de refroidir entièrement. Il faudra environ 30 minutes à l'appareil pour entièrement refroidir.
- Retirer la fiche de la prise murale si l'appareil reste inutilisé pendant de longues périodes.
- Pour retirer la fiche de la prise de courant, tirer sur la fiche et pas sur le cordon.
- Ne pas faire fonctionner l'appareil à l'aide d'une minuterie externe ou d'un système de télécommande séparé.

3) INSTALLATION ET UTILISATION DE L'APPAREIL

Ouvrir l'emballage avec précaution avant d'en sortir l'appareil. S'assurer que l'appareil soit complet et en bon état. S'il y a des composants qui manquent ou qui sont endommagés, contacter le fournisseur et ne pas utiliser le produit. Conserver l'emballage ou le recycler conformément aux réglementations locales.

Parties & fonctions de l'appareil





Description des boutons :

- ① Bouton d'alimentation ON/OFF
- ② Couvercle du réservoir d'eau
- ③ Réservoir d'eau
- ④ Indicateur de niveau d'eau
- ⑤ Socle
- ⑥ Égouttoir
- ⑦ Grille de l'égouttoir
- ⑧ Supports pour l'égouttoir
- ⑨ Robinet / distributeur
- ⑩ Voyant lumineux
- ⑪ Orifices réservoir d'eau.

Première utilisation :

- Sortir l'appareil et les accessoires de la boîte. Retirer tout autocollant, film de protection ou plastique de l'appareil.
- **S'assurer que la fiche soit retirée de la prise de courant.**
- Avant d'utiliser l'appareil pour la première fois, essayer toutes les parties amovibles à l'aide d'un chiffon humide. Ne jamais utiliser de produits de nettoyage agressifs ou abrasifs, une éponge à récurer ou de la paille de fer ; cela endommage l'appareil.
- Nettoyer le réservoir d'eau avant la première utilisation. Remplir le réservoir avec de l'eau propre, enlever l'eau du réservoir en tournant l'appareil sens dessus dessous, sécher le réservoir d'eau avec un chiffon sec. Répéter ces étapes ± 3 fois.
- Ne pas utiliser de liquide vaisselle dans le réservoir d'eau !
- Poser l'appareil sur une surface stable et plane, à un endroit où il ne peut pas tomber.
- Connecter l'appareil au secteur.
- L'appareil est à présent prêt à l'emploi.

DISTRIBUTION

- Poser l'appareil sur une surface stable et plane, à un endroit où il ne peut pas tomber.
- Enlever le couvercle du réservoir d'eau ② et remplir le réservoir d'eau ③ avec de l'eau propre. S'assurer que le réservoir d'eau soit rempli au moins au-dessus du niveau « MIN », mais ne dépasse pas le niveau « MAX » de l'indicateur de niveau d'eau ④.
- Il y a des orifices dans le réservoir au-dessus du niveau « MAX », par lesquels l'eau s'écoulera si le réservoir est trop plein et pour éviter une génération de vide dans le compartiment du réservoir.
- Fermer le réservoir d'eau en remplaçant le couvercle du réservoir d'eau ② sur le réservoir ③.
- Placer une tasse sur l'égouttoir amovible ⑥ et s'assurer qu'elle soit bien alignée sous le robinet ⑨
- Appuyer sur le bouton ON/OFF ① qui s'allume en bleu. Après ± 5 to 10 secondes l'appareil distribue 200 ml

d'eau très chaude. L'appareil s'éteint automatiquement.

- Appuyer deux fois sur le bouton ON/OFF ① qui s'allume en vert. Après \pm 5 to 10 secondes l'appareil distribue de l'eau très chaude en continu. Une fois la quantité souhaitée atteinte, appuyer sur le bouton ON/OFF ① pour arrêter la distribution, l'appareil s'éteint alors automatiquement.
- Lorsque le réservoir d'eau est vide, le bouton ON/OFF ① clignote alternativement en bleu et vert pendant \pm 30 secondes, indiquant qu'il faut remplir le réservoir d'eau. ③



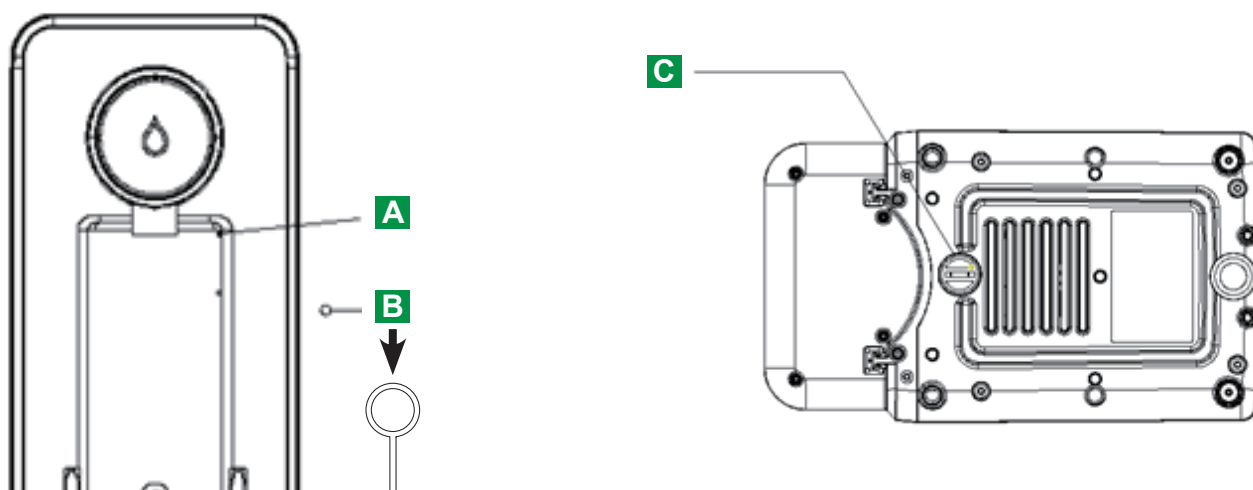
• **Attention** : Éviter les brûlures. Ne pas toucher l'eau bouillante ; elle est très chaude.

- Si l'appareil n'est plus utilisé, retirer la fiche de la prise de courant.

Thermostat

L'appareil dispose d'un thermostat intégré, qui débranche automatiquement l'appareil en cas de surchauffe ou de fonctionnement anormal. Si l'appareil devient trop chaud (surchauffe), le fusible thermique saute et empêche l'appareil de fonctionner. Le laisser refroidir pendant environ 15 minutes et le fusible sera réinitialisé automatiquement. L'appareil peut alors être réutilisé.

Si l'appareil ne fonctionne pas normalement après le refroidissement, il est recommandé de réinitialiser manuellement le fusible thermique en enfonçant la clé de réinitialisation **B** dans le petit trou de réinitialisation **A**, jusqu'à ce que vous entendiez un clic. Utiliser la clé de réinitialisation **B** pour ce faire.



Bouchon de vidange

Si l'appareil n'est pas utilisé pendant une longue période, le nettoyer et évacuer l'excédent d'eau.

Ouvrir le bouchon de vidange **C** en le tournant dans le sens antihoraire, pour permettre à l'excédent d'eau de s'écouler. Dès que l'excédent d'eau a été évacué, remettre en place le bouchon de vidange **C** en le tournant fermement dans le sens horaire.

Note ! S'il y a une fuite d'eau après le remplissage du réservoir d'eau, vérifier si le bouchon de vidange est correctement serré

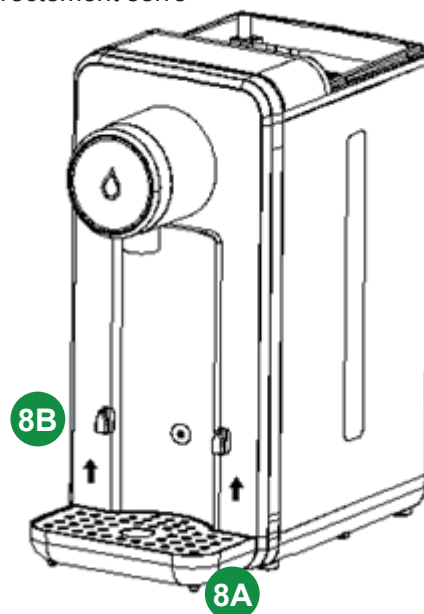
Égouttoir

L'appareil est équipé d'un égouttoir amovible et variable en hauteur. En fonction de la tasse utilisée, l'égouttoir peut être placé à 2 hauteurs différentes. La différence entre les 2 hauteurs est de 7 cm.

Lorsque l'égouttoir est placé en position basse **8A**, la distance disponible entre l'égouttoir et le robinet = 17 cm.

Lorsque l'égouttoir est placé en position haute **8B**, la distance disponible entre l'égouttoir et le robinet = 10 cm.

Lorsque l'égouttoir est plein, tenir l'appareil par le haut et retirer l'égouttoir en le déplaçant vers le haut, en le libérant de ses supports. Vider l'égouttoir, le rincer à l'eau courante, le sécher avec un linge sec et le remettre en place à la hauteur souhaitée, le glissant sur les supports **8A** ou **8B** en exerçant une légère pression.



4) NETTOYAGE - MAINTENANCE & DÉTARTRAGE



Détartrage

Pour maintenir ses performances, il est recommandé de détartrer l'appareil une fois par mois s'il est utilisé régulièrement.



Utiliser uniquement un détergent non toxique tel que l'acide citrique ou le vinaigre !

Verser un peu d'acide citrique ou de vinaigre dans le réservoir d'eau. Faire couler le liquide jusqu'à ce que le réservoir soit vide.

Répéter deux ou trois fois pour se débarrasser du tartre.

Une fois terminé, le réservoir d'eau et l'appareil doivent être nettoyés.

Évacuer l'eau bouillie et remplir d'eau fraîche. Faire couler l'eau jusqu'à ce que le réservoir soit vide.

Répéter deux ou trois fois, chaque fois avec de l'eau fraîche, avant de consommer l'eau distribuée.

Remarque importante !

Une fois que l'appareil atteint une utilisation cumulée de 10 heures, le voyant vert 10 clignotera pour vous rappeler de détartrer l'appareil.

Après le détartrage : Appuyer sur le bouton ON/OFF 1 pendant 5 secondes pour déverrouiller le voyant de détartrage 10. Le voyant vert s'arrête de clignoter et l'appareil est prêt à l'emploi.

Nettoyage et maintenance

- Retirer la fiche de la prise de courant et laisser refroidir entièrement l'appareil.
- Ne jamais immerger l'appareil dans de l'eau ou tout autre liquide.
- Nettoyer l'appareil après chaque utilisation.
- Nettoyer le boîtier et l'intérieur avec un chiffon humide.
- Ne pas utiliser de liquide vaisselle dans le réservoir d'eau !
- Ne jamais utiliser de produits de nettoyage agressifs ou abrasifs, une éponge à récurer ou de la paille de fer ; cela endommage l'appareil.
- Sécher soigneusement l'appareil.
- Ranger l'appareil dans un endroit sec.

5) SPÉCIFICATIONS

- Tension d'entrée : 220-240 V~, 50/60 Hz
- Puissance : 2200-2600 W
- Températures : 95-100 °C
- Durée : 1-60 minutes
- Capacité du réservoir : 2,5 L
- Dimensions : 30 x 14 x 24 (H x L x P)
- Poids : 1,7 kg

6) STOCKAGE & TRANSPORT

- Avant de stocker l'appareil, il doit d'abord être nettoyé conformément à la description dans ce manuel d'utilisation. L'appareil doit être stocké dans son emballage d'origine.
- Toujours stocker l'appareil dans un endroit sec et bien aéré et hors de portée des enfants.
- Protéger l'appareil de vibrations et de chocs pendant le transport.

Tous contenus et spécifications mentionnés dans ce manuel peuvent être modifiés sans préavis.

INSTRUCTIONS POUR LA PROTECTION DE L'ENVIRONNEMENT

(DEEE, la directive concernant les déchets d'équipements électriques et électroniques)



Votre produit a été fabriqué en utilisant des matériaux de haute qualité et des composants qui peuvent être recyclés et réutilisés. A la fin de sa durée de vie, ce produit ne doit pas être jeté dans les ordures ménagères, mais il doit être remis à un point de collecte spécial pour le recyclage des équipements électriques et électroniques. Ceci est indiqué dans le manuel utilisateur et sur l'emballage par un conteneur de déchets marqué d'un symbole de croix. Les matières premières utilisées sont appropriées pour le recyclage.

Par le recyclage des appareils usagés ou des matières premières, vous apportez une contribution importante à la protection de notre environnement Informez-vous en local sur le point de collecte le plus proche.

BEDIENUNGSANLEITUNG: MAGNANI – INSTANT-HEISSWASSERSPENDER


MODEL: MI-HA-IHWDO1-B

INHALTSVERZEICHNIS

- 1) Verpackungsinhalt
- 2) Sicherheitsanweisungen
- 3) Installation und Verwendung des Produkts
- 4) Reinigung - Pflege und Entkalken
- 5) Produktmerkmale
- 6) Lagerung und Transport



1) VERPACKUNGSINHALT

- Instant-Heißwasserspender
- Bedienungsanleitung
- Rücksetzschlüssel 



2) SICHERHEITSANWEISUNGEN

Vor Gebrauch des „Magnani Instant-Heißwasserspenders“ (im folgenden als „Gerät“ bezeichnet) immer die folgenden grundlegenden Vorsichtsmaßnahmen beachten.



WARNHINWEIS!



Das vom Gerät abgegebene Wasser ist heiß. Berühren Sie es nicht, um Verbrennungen zu vermeiden.

Allgemeine Informationen

- Lesen Sie diese Anweisungen sorgfältig durch und bewahren Sie sicher auf. Wenn Sie dieses Gerät an andere Personen weitergeben, geben Sie bitte auch diese Bedienungsanleitung mit.
- Verwenden Sie dieses Gerät nur entsprechend der Anweisungen in dieser Bedienungsanleitung.
- Dieses Gerät kann von Kindern ab 8 Jahren und von Personen mit körperlichen, sensorischen oder mentalen Einschränkungen sowie mangelnder Erfahrung und Wissen verwendet werden, sofern sie zuvor entsprechend von einer für ihre Sicherheit verantwortlichen Person in der Verwendung des Geräts unterwiesen wurden. Kinder dürfen mit dem Gerät nicht spielen. Reinigung und Wartung dürfen nicht von Kindern unter 8 Jahren ausgeführt werden. Ab 8 Jahren müssen sie beaufsichtigt werden.
- Das Gerät ist nur für den häuslichen oder ähnlichen Gebrauch bestimmt, nicht für die professionelle Nutzung.



- **WARNHINWEIS!** Lassen Sie kein Verpackungsmaterial achtlos herumliegen. Kinder könnten es als gefährliches Spielmaterial verwenden. **Erstickengefahr!**

Strom und Wärme

- Prüfen Sie vor dem Einsatz, ob die Netzspannung identisch mit der auf dem Typenschild des Geräts angegebenen Netzspannung ist.
- Überzeugen Sie sich, dass Ihre Hände trocken sind, bevor Sie das Gerät, Stromkabel oder Stecker berühren.
- Stecken Sie den Netzstecker in eine geerdete Steckdose, die jederzeit leicht zugänglich ist.



- **WARNHINWEIS!** Decken Sie den Netzstecker oder das Netzkabel niemals mit Tüchern, Vorhängen oder

anderem Material ab, um Überhitzung und mögliche Brandgefahr zu vermeiden.

- Achten Sie darauf, dass das Gerät und das Netzkabel nicht an Hitzequellen wie heiße Kochplatten oder offenes Feuer gelangen.
- Das Gerät muss seine Hitze ableiten können, um einer Brandgefahr vorzubeugen. Stellen Sie deshalb sicher, dass das Gerät genügend Platz um sich herum hat (mindestens 10 cm von allen Seiten) und platzieren Sie das Gerät nicht in Berührung mit brennbaren Materialien und/oder auf oder in der Nähe von brennbaren Materialien.



• **WARNHINWEIS!** Decken Sie das Gerät nicht ab, um Überhitzung und mögliche Brandgefahren zu vermeiden.

- Überprüfen Sie das Netzkabel regelmäßig auf Schäden.
- Verwenden Sie das Gerät nicht, wenn das Netzkabel Anzeichen von Schäden aufweist, wenn das Gerät auf den Boden gefallen ist oder andere Anzeichen von Schäden aufweist.
- Schalten Sie das Gerät aus und ziehen Sie den Netzstecker, wenn Sie beim Gebrauch Fehler entdecken oder Beschädigungen feststellen und wenn das Gerät nicht benutzt oder gereinigt wird.
- Achten Sie darauf, dass niemand auf das Netzkabel treten oder es einklemmen kann.
- Das Netzkabel darf nicht über scharfen Kanten hängen. Halten Sie es von heißen Objekten und offenen Flammen fern.
- Beim Einstecken des Steckers darauf achten, dass er nicht versehentlich herausgezogen werden oder dass man darüber stolpern kann.
- Ziehen Sie den Netzadapter bei Gewitter oder längerer Nichtbenutzung aus der Steckdose.
- Verwenden Sie falls nötig ein 10-Ampere-Verlängerungskabel. Kabel mit weniger Ampere können durchbrennen.
- Bei Verwendung eines Verlängerungskabels dieses ganz ausrollen.



• **WARNHINWEIS!** Um das Risiko von Brand oder Stromschlag zu reduzieren, muss das Gerät vor Wassertropfen oder Wasserspritzern und feuchten Umgebungen geschützt werden. Halten Sie es von Objekten, die mit Flüssigkeiten gefüllt sind (wie Vasen) fern. Solche Gegenstände sollten nicht auf das Gerät oder in dessen Nähe gestellt werden.

Verwendung

- Verwenden Sie das Gerät nicht in der Nähe von brennbaren Materialien.
- **Lassen Sie das Gerät niemals unbeaufsichtigt, wenn es in Betrieb ist.**
- Berühren Sie nicht den Wasserhahn oder das abgegebene Wasser, wenn Sie das Gerät benutzen.



• Berühren oder blockieren Sie während der Benutzung nicht den Dampfauslass mit der Hand oder durch andere Mittel.



• Öffnen Sie den Deckel des Wassertanks nicht in Eile, um Verbrennungen zu vermeiden, die durch heißen Dampf oder mögliche Fehlfunktionen entstehen.



• Benutzen Sie nicht die Hände oder andere Körperteile, um die Temperatur oder den Dampf des Geräts zu fühlen, während es in Betrieb ist.

- Benutzen Sie das Gerät ausschließlich zum Erhitzen von Wasser.
- Füllen Sie den Tank des Geräts nicht höher als die Markierung „MAX“.
- Nehmen Sie das Gerät nicht in Betrieb, wenn der Wasserstand unter „MIN“ liegt.
- Nehmen Sie das Gerät nicht ohne Wasser in Betrieb oder wenn das Wasser sich unter der Mindestfüllgrenze befindet, um eine Beschädigung des Heizelements zu vermeiden.
- Stellen Sie das Gerät auf eine flache, stabile Oberfläche, an einem Ort, wo es nicht umfallen oder plötzlich umgestoßen werden kann, was zu Verbrennungen führt.
- Lehnen Sie sich nicht auf das Gerät.
- Nehmen Sie das Gerät nicht in Betrieb, wenn es auf dem Kopf steht.
- Stellen Sie das Gerät nicht in einen funktionierenden Desinfektionsschrank.
- Verwenden Sie das Gerät nicht im Kühlschrank oder in der Gefriertruhe.
- Stellen Sie das Gerät nicht woanders hin, wenn es eingeschaltet oder noch warm ist. Schalten Sie das Gerät aus und stellen Sie es erst weg, wenn es abgekühlt ist.
- Machen Sie das Gerät nach dem Gebrauch gründlich sauber (siehe „Wartung und Reinigung“).
- Vermeiden Sie Orte mit Vibrationen, Kälte oder Feuchtigkeit.
- Setzen Sie das Gerät nicht dem direkten Sonnenlicht, Wärmequellen, übermäßiger Feuchtigkeit oder korrosiven Umgebungen aus.
- Setzen Sie das Gerät keiner mechanischen Beanspruchung aus.
- Eine missbräuchliche Verwendung kann das Produkt beschädigen.
- Bitte gehen Sie vorsichtig mit dem Gerät um. Aufpralle oder Stürze, selbst aus geringer Höhe, können das Gerät beschädigen.

- Öffnen Sie das Gehäuse nicht, da dies zu einem Stromschlag führen kann.
- Das Gerät sollte nicht demontiert, repariert oder auf irgendeine Art und Weise verändert werden.
- Das Gerät muss bei jeglicher Beschädigung professionell repariert werden, z. B. bei beschädigtem Netzkabel/ Netzstecker, wenn Objekte in das Gerät gefallen sind, es Regen oder Feuchtigkeit ausgesetzt war, es fallengelassen wurde oder nicht normal funktioniert.
- Verwenden Sie zur Reinigung des Geräts keine scheuernden Reinigungsmittel.
- Reinigen Sie das Gerät nicht mit Fremdkörpern.



Wichtige Information, folgen Sie diesen Anweisungen

- Dieses Gerät kann von Kindern ab 8 Jahren und von Personen mit körperlichen, sensorischen oder mentalen Einschränkungen sowie mangelnder Erfahrung und Wissen verwendet werden, sofern sie zuvor entsprechend von einer für ihre Sicherheit verantwortlichen Person in der Verwendung des Geräts unterwiesen wurden. Kinder dürfen mit dem Gerät nicht spielen. Reinigung und Wartung dürfen nicht von Kindern unter 8 Jahren ausgeführt werden. Ab 8 Jahren müssen sie beaufsichtigt werden.
- Verwenden Sie das Gerät nur in Innenräumen, in trockenen Bereichen und nicht in der Nähe von Wasser, anderen Flüssigkeiten oder Feuchtigkeit.
- Das Gerät nicht verwenden, wenn das Kabel oder der Stecker in Wasser oder andere Flüssigkeiten gefallen ist.
- Tauchen Sie das Gerät, das Kabel und den Netzstecker niemals in Wasser oder andere Flüssigkeiten.
- Das Gerät nicht hochnehmen, wenn es in Wasser oder andere Flüssigkeiten gefallen ist. Ziehen Sie sofort den Stecker aus der Steckdose. Das Gerät nicht mehr benutzen.
- Stellen Sie das Gerät auf eine flache, stabile Oberfläche, an einem Ort, wo es nicht umfallen kann.



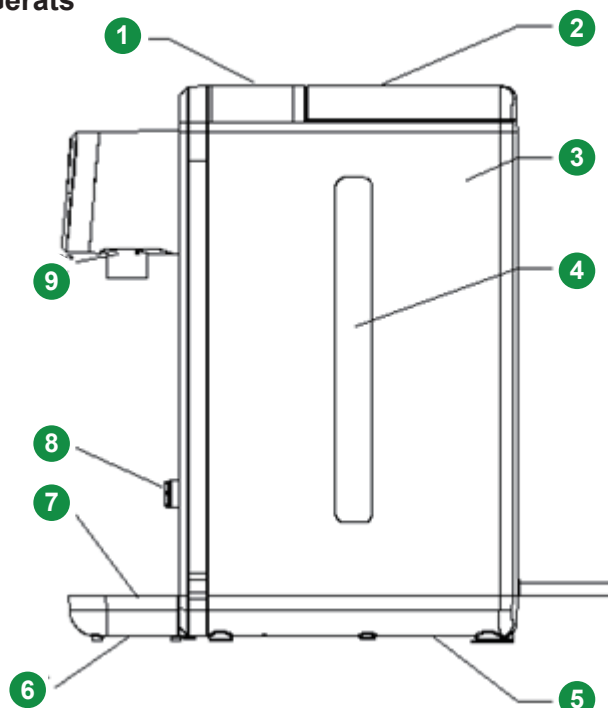
• **Achtung!** Das ausgegebene Wasser ist heiß. Berühren Sie es nicht, um Verbrennungen zu vermeiden.

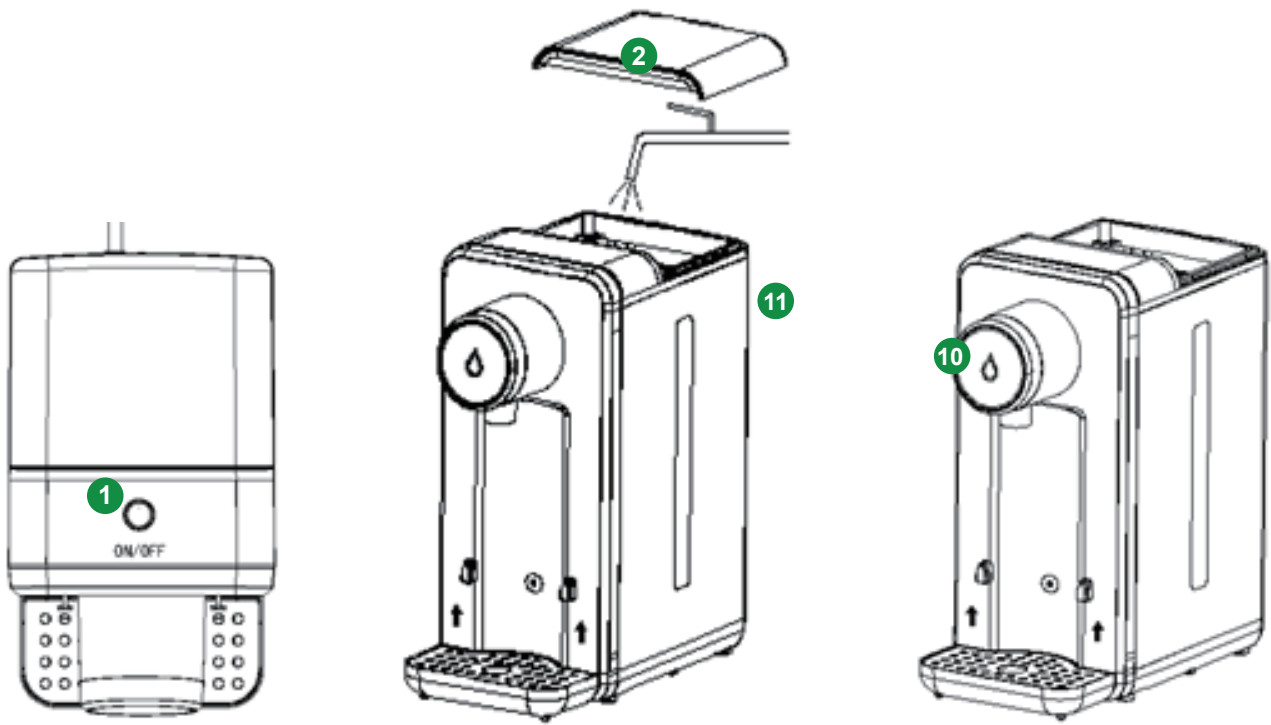
- Das Gerät ist mit einem Überhitzungsschutz ausgestattet. Dieser schaltet sich ein, wenn die Temperatur zu hoch wird. Wenn das passiert, müssen Sie das Gerät erst abkühlen lassen, bevor Sie es erneut verwenden. Schalten Sie das Gerät aus und ziehen Sie sofort den Stecker aus der Steckdose. Lassen Sie das Gerät vollständig abkühlen. Das Gerät benötigt etwa 30 Minuten zum vollständigen Abkühlen.
- Ziehen Sie den Netzadapter bei Gewitter oder längerer Nichtbenutzung aus der Steckdose.
- Ziehen Sie beim Entfernen des Steckers aus der Steckdose am Stecker, nicht am Kabel.
- Betreiben Sie das Gerät nicht mit einer externen Zeitschaltuhr oder einer separaten Fernbedienung.

3) INSTALLATION UND VERWENDUNG DES GERÄTS

Öffnen Sie die Verpackung vorsichtig, bevor Sie das Gerät herausnehmen. Stellen Sie sicher, dass das Gerät vollständig und unbeschädigt ist. Sollten Teile fehlen oder beschädigt sein, kontaktieren Sie den Lieferanten und verwenden Sie das Produkt nicht. Die Verpackung sollte aufbewahrt oder in Übereinstimmung mit den örtlichen Vorschriften recycelt werden.

Teile und Merkmale des Geräts





Beschreibung der Tasten:

- 1 Ein-/Aus-Taste
- 2 Wassertankabdeckung
- 3 Wassertank
- 4 Wasserstandsanzeiger
- 5 Untere Abdeckung
- 6 Tropfschale
- 7 Tropfplatte
- 8 Tropfschalenhalter
- 9 Hahn/Spender
- 10 Leuchtanzeige
- 11 Wassertanköffnungen

Erste Verwendung:

- Nehmen Sie das Gerät und das Zubehör aus dem Karton. Entfernen Sie alle Aufkleber, Schutzfolien oder Kunststoff vom Gerät.
- **Achten Sie immer darauf, den Stecker aus der Steckdose zu ziehen.**
- Vor dem ersten Gebrauch des Geräts müssen alle abnehmbaren Teile mit einem feuchten Tuch abgewischt werden. Verwenden Sie niemals aggressive oder scheuernde Reinigungsmittel, Scheuerschwamm oder Stahlwolle; dies beschädigt das Gerät.
- Reinigen Sie den Wassertank vor der ersten Benutzung. Füllen Sie den Wassertank mit sauberem Wasser, entfernen Sie das Wasser aus dem Wassertank, indem Sie das Gerät umdrehen, trocknen Sie das Fach des Wassertanks mit einem trockenen Tuch. Wiederholen Sie diese Schritte ± 3 Mal.
- Benutzen Sie kein Geschirrspülmittel im Wassertank!
- Stellen Sie das Gerät auf eine flache, stabile Oberfläche, an einem Ort, wo es nicht umfallen kann.
- Schließen Sie das Gerät an das Stromnetz an.
- Das Gerät ist jetzt einsatzbereit.

ABGABE

- Stellen Sie das Gerät auf eine flache, stabile Oberfläche, an einem Ort, wo es nicht umfallen kann.
- Entfernen Sie die Wassertankabdeckung 2 und füllen Sie den Wassertank 3 mit sauberem Wasser. Achten Sie darauf, dass der Wassertank mindestens bis zur Markierung „MIN“ und nicht über der Markierung „MAX“ auf dem Wasserstandsanzeiger 4 gefüllt ist.
- Es befinden sich Öffnungen im Tank über der Markierung „MAX“, durch die bei Überfüllung Wasser austritt und somit die Entstehung eines Vakuums im Tankfach verhindert wird.

- Schließen Sie den Wassertank, indem Sie die Wassertankabdeckung **2** wieder auf den Wassertank **3** setzen.
- Stellen Sie Ihren Becher auf die abnehmbare Tropfschale **6** und achten Sie darauf, dass sie unter dem Hahn **9** steht.
- Drücken Sie die Ein-/Aus-Taste **1**, die blau aufleuchtet. Nach ± 5 to 10 Sekunden beginnt das Gerät, 200 ml heißes Wasser abzugeben. Nach Beendigung stellt sich das Gerät automatisch aus.
- Drücken Sie die Ein-/Aus-Taste **1** zweimal, die grün aufleuchtet. Nach ± 5 to 10 Sekunden beginnt das Gerät, kontinuierlich heißes Wasser abzugeben. Sobald die gewünschte Menge erreicht ist, drücken Sie die Ein-/Aus-Taste **1**, um die Abgabe des Geräts zu beenden und danach wird es sich automatisch ausschalten.
- Wenn sich kein Wasser mehr im Wassertank befindet, blinkt die Ein-/Aus-Taste **1** abwechselnd blau und grün ± 30 Sekunden lang und zeigt damit an, dass Sie den Wassertank wieder auffüllen müssen. **3**



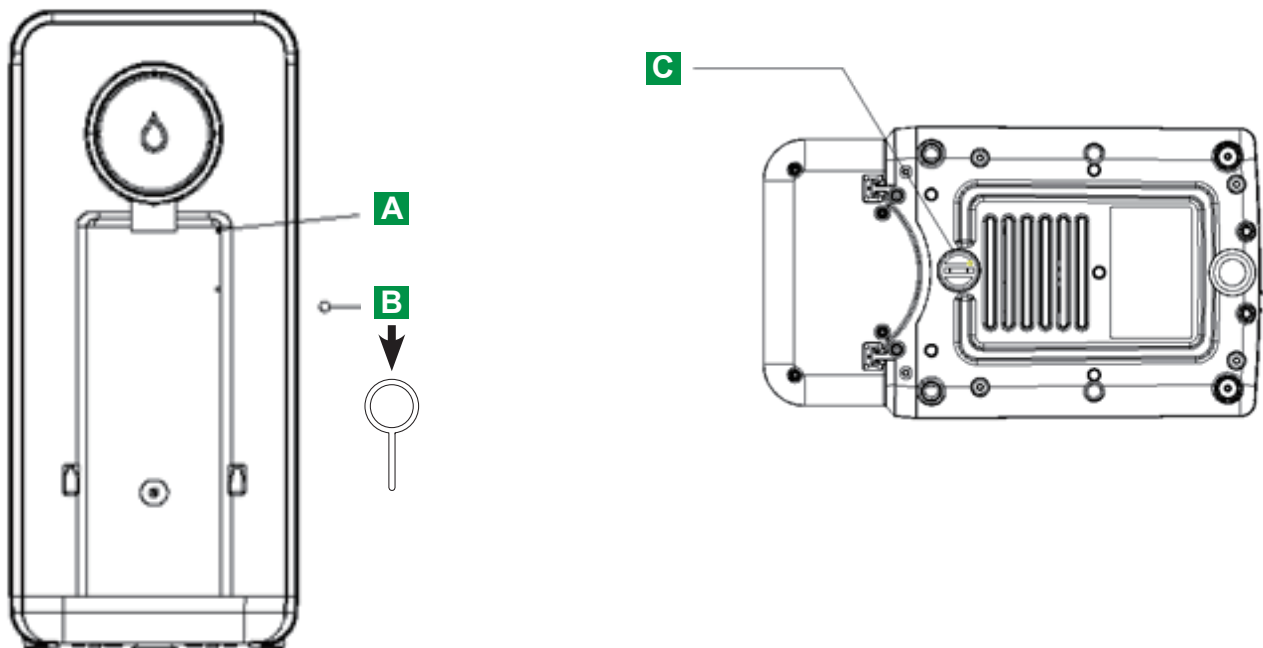
• **Vorsicht:** Verhindern Sie Verbrennungen. Berühren Sie das kochende Wasser nicht, es ist sehr heiß.

- Wenn Sie das Gerät nicht mehr verwenden möchten, ziehen Sie den Netzstecker aus der Steckdose.

Thermostat

Das Gerät verfügt über einen eingebauten Thermostat, der das Gerät im Fall von Überhitzung oder ungewöhnlichem Betrieb automatisch ausschaltet. Wenn das Gerät zu heiß wird (Überhitzung), werden sich der Thermostat und die Sicherung einschalten und die Funktion des Geräts beenden. Lassen Sie es ungefähr 15 Minuten lang abkühlen und die Sicherung wird sich automatisch zurücksetzen. Das Gerät kann wieder benutzt werden.

Falls das Gerät nicht normal funktioniert, nachdem es abgekühlt ist, wird empfohlen, die Thermostatsicherung manuell zurückzusetzen, indem Sie den Rücksetzschlüssel **B** in die kleine Rücksetz-Tastenöffnung **A** drücken, bis Sie ein Klicken hören. Bitte verwenden Sie für diesen Vorgang den Rücksetzschlüssel **B**.



Verschlussstöpsel

Falls das Gerät für einen längeren Zeitraum nicht benutzt werden wird, reinigen Sie es und entfernen Sie das Abwasser.

Öffnen Sie den Verschlussstöpsel **C**, indem Sie ihn gegen den Uhrzeigersinn drehen, damit das Abwasser abfließen kann. Sobald das gesamte Abwasser entfernt wurde, setzen Sie den Verschlussstöpsel **C** wieder ein, indem Sie ihn im Uhrzeigersinn drehen und achten Sie darauf, dass er gut festgedreht wird.

Hinweis! Bei Auslaufen von Wasser nach dem Füllen des Wassertanks überprüfen Sie, ob der Verschlussstöpsel richtig festgedreht wurde.

Tropfschale

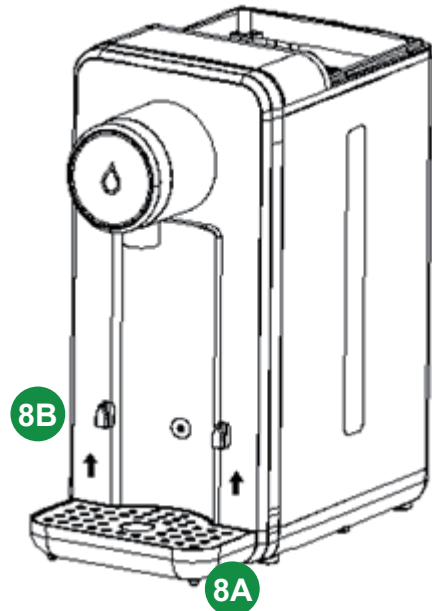
Das Gerät ist mit einer abnehmbaren und verstellbaren Tropfschale ausgestattet. Je nach der Größe des benutzten Bechers, kann die Tropfschale auf 2 verschiedenen Höhen eingesetzt werden. Der Unterschied zwischen den 2 Höhen beträgt 7 cm.

Wenn die Tropfschale an der niedrigsten Stelle **8A** befestigt wird, beträgt der verfügbare Platz zwischen der Tropfschale und dem Hahn 17 cm.

Wenn die Tropfschale an der höchsten Stelle **8B** befestigt wird, beträgt der verfügbare Platz zwischen der Tropfschale und dem Hahn 10 cm.

Wenn die Tropfschale voll ist, halten Sie das Gerät oben fest und entfernen Sie die Tropfschale, indem Sie diese nach oben bewegen und von den Tropfschalenhaltern lösen.

Leeren Sie die Tropfschale aus, spülen Sie diese unter laufendem Wasser ab, trocknen Sie sie mit einem trockenen Tuch ab und setzen Sie sie wieder auf der gewünschten Höhe ein, indem Sie sie mit einem sanften Anstoß über die Tropfschalenhalter **8A** oder **8B** schieben.



4) REINIGUNG - PFLEGE UND ENTKALKEN



Entkalken

Um seine Leistung zu erhalten, wird empfohlen, das Gerät bei regelmäßiger Benutzung monatlich zu entkalken.



Verwenden Sie nur ein giftfreies Reinigungsmittel wie Zitronensäure oder Essig!

Gießen Sie etwas Zitronensäure oder Essig in den Wassertank. Lassen Sie die Flüssigkeit durch den Hahn heraus, bis der Tank leer ist.

Wiederholen Sie dies zwei oder drei Mal, um den Kalk vollständig zu beseitigen.

Nach der Beendigung müssen der Wassertank und das Gerät gereinigt werden.

Gießen Sie das gesamte gekochte Wasser aus und fügen Sie sauberes Wasser hinzu. Lassen Sie das Wasser durch den Hahn ab, bis der Tank leer ist.

Wiederholen Sie dies zwei oder drei Mal, jedes Mal mit neuen frischem Wasser, bevor Sie das abgegebene Wasser zu sich nehmen.

Wichtiger Hinweis!

Sobald das Gerät eine Gesamtnutzungsdauer von 10 Stunden erreicht, wird das grüne Licht **10 auf dem Spender blinken, um Sie an das Entkalken des Geräts zu erinnern.**

Nach dem Entkalken: Drücken sie die Ein-/Aus-Taste **1** 5 Sekunden lang, um die Entkalkungsleuchtanzeige **10** zu löschen. Das grüne Licht wird nicht mehr blinken und das Gerät ist einsatzbereit.

Pflege und Reinigung

- Ziehen Sie den Stecker aus der Steckdose und lassen Sie das Gerät vollständig abkühlen.
- Tauchen Sie das Gerät niemals in Wasser oder in eine andere Flüssigkeit.
- Reinigen Sie das Gerät nach jedem Gebrauch.
- Reinigen Sie das Gehäuse und das Innere des Geräts mit einem feuchten Tuch.
- Benutzen Sie kein Geschirrspülmittel im Wassertank!
- Verwenden Sie niemals aggressive oder scheuernde Reinigungsmittel, Scheuerschwamm oder Stahlwolle; dies beschädigt das Gerät.
- Trocknen Sie das Gerät gründlich ab.
- Lagern Sie das Gerät an einem trockenen Ort.

5) TECHNISCHE DATEN

- Eingangsspannung: 220 - 240 V~, 50/60 Hz
- Leistung: 2200 - 2600 W
- Temperaturbereich: 95-100 °C
- Timer-Bereich: 1 - 60 Minuten
- Fassungsvermögen des Tanks: 2,5 l
- Maße: 30 x 14 x 24 (H x B x T)
- Gewicht: 1,7 kg.

6) LAGERUNG UND TRANSPORT

- Wenn Sie das Gerät aufbewahren, sollte es zuerst, wie in der Bedienungsanleitung beschrieben, gereinigt werden. Das Gerät sollte in der Originalverpackung aufbewahrt werden.
- Bewahren Sie das Gerät immer in einem trockenen und gut belüfteten Raum und außerhalb der Reichweite von Kindern auf.
- Schützen Sie das Gerät während des Transports gegen Vibrationen und Stöße.

Die Änderung aller Inhalte und der technischen Daten in dieser Anleitung ist ohne vorherige Ankündigung vorbehalten.

ANWEISUNGEN ZUM SCHUTZ DER UMWELT

(EEAG, Rückgewinnung von Elektro- und Elektronik-Altgeräten)



Ihr Produkt wurde aus hochwertigen Materialien und Komponenten hergestellt, die man recyceln und wiederverwenden kann. Am Ende seiner Lebensdauer darf dieses Produkt nicht im normalen Hausmüll entsorgt werden, sondern muss zu einer speziellen Sammelstelle für das Recycling von elektrischen und elektronischen Geräten gebracht werden. Dies wird in der Bedienungsanleitung und der Verpackung durch den durchgestrichenen Abfallbehälter angezeigt. Die verwendeten Rohstoffe sind recyclingfähig.

Durch die Wiederverwertung der Altgeräte oder Rohstoffe leisten Sie einen wichtigen Beitrag zum Schutz unserer Umwelt. Sie können die nächstgelegene Sammelstelle bei Ihrer Gemeinde erfragen.



EC Declaration Of Conformity

We,
Mascot Online BV
Veluwezoom 32
1327 AH Almere
The Netherlands

Declare under our sole responsibility that the product:

- Product Brand: Magnani Italy
- Product Model No: MI-HA-IHWD01-B
- Product Description: Instant hot water dispenser
- Product Rating: 220-240 V~, 50/60 Hz, Class I, 2200-2600 W

Following the provisions of the Directives:

- Electromagnetic Compatibility (EMC): 2014/30/EU
- Energy Related products (ERP): 2009/125/EC
- Low Voltage Directive (LVD): 2014/35/EU
- Restriction of the use of certain Hazardous Substances in Electrical and Electronic Equipment (RoHS) Directive: 2011/65/EU, with its amendment 2015/863/EU

And standards to which Conformity is declared:

EMC:

- EN 55014-1:2017
- EN 55014-2:2015
- EN 61000-3-2:2014
- EN 61000-3-3:2013

ERP:

- EC No 1275/2008 + (EU) 801/2013

LVD:

- EN 62233:2008
- EN 60335-1:2012 + A11:2014 + A13:2017 + A1: 2019 + A14:2019 + A2019
- EN 60335-2-15:2016 + A11: 2018

Date & place of issue: Almere, 01-8-2020

Authorized Signature name: B. van Dijk
Title: Managing Director

