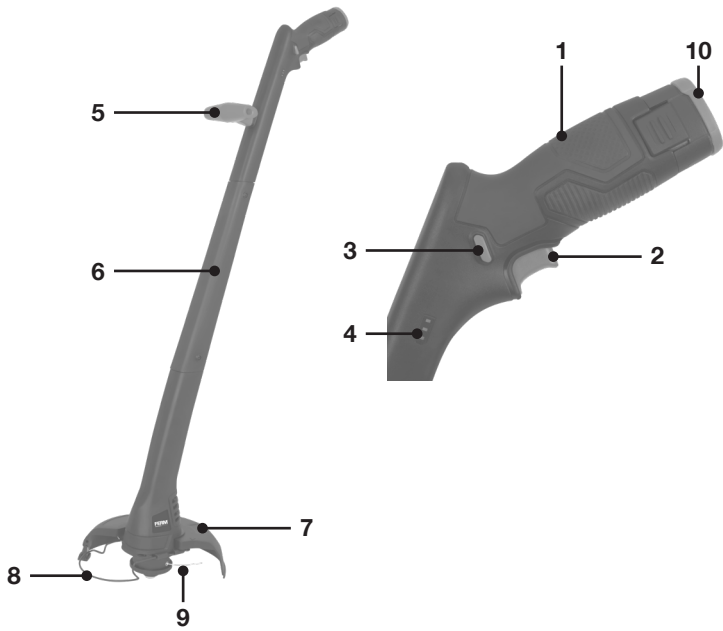
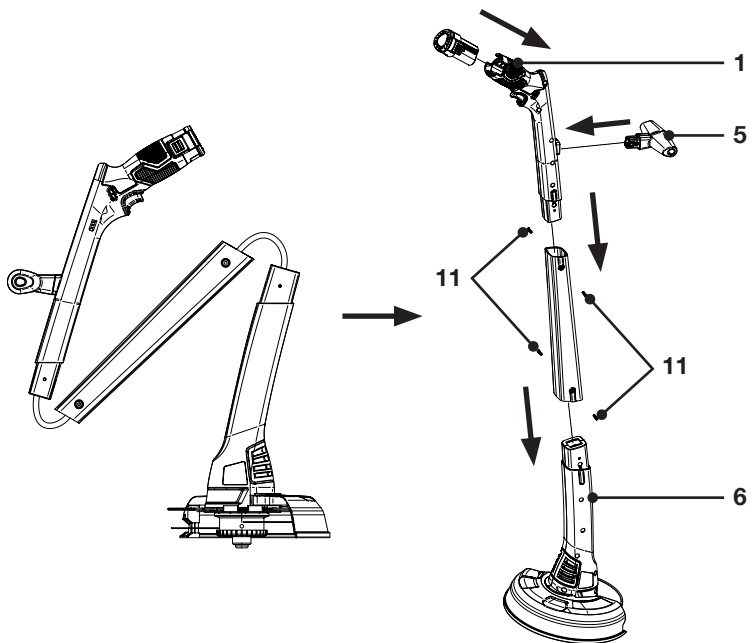




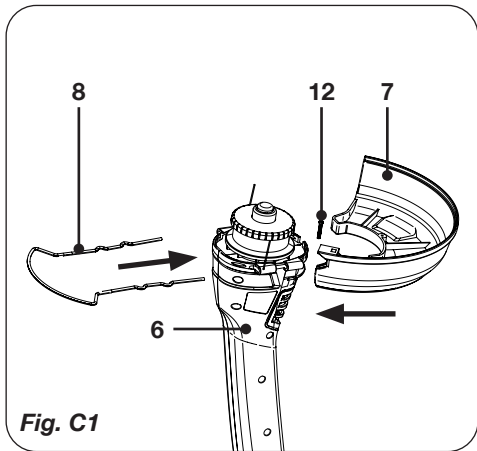
<b>EN</b> Original instructions	04	<b>BG</b> Превод на оригиналното ръководство за употреба	95
<b>NL</b> Vertaling van de oorspronkelijke gebruiksaanwijzing	11	<b>EL</b> Μετάφραση του πρωτοτύπου του εγχειριδίου χρήσης	104
<b>FR</b> Traduction de la notice originale	20	<b>HR</b> Prijevod izvornog korisničkog priručnika	113
<b>DE</b> Übersetzung der Originalbetriebsanleitung	28	<b>SL</b> Prevod originalnih navodil za uporabo	120
<b>PL</b> Tłumaczenie instrukcji oryginalnej	37		
<b>CS</b> Překlad originálního návodu k obsluze	46		
<b>IT</b> Traduzione delle istruzioni originali	54		
<b>SK</b> Preklad pôvodného návodu na použitie	62		
<b>ES</b> Traducción del manual de uso original	70		
<b>PT</b> Tradução do manual do utilizador original	78		
<b>RO</b> Traducerea manualului original de utilizare	87		



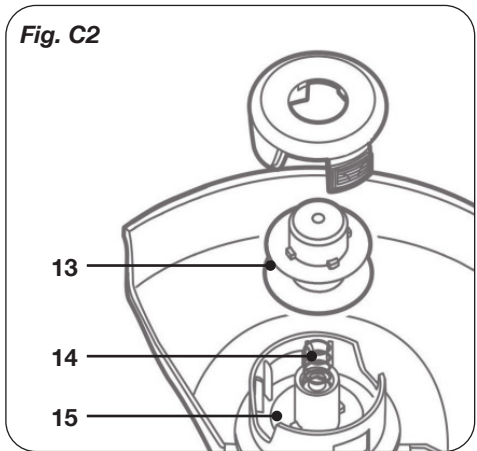
**Fig. A**



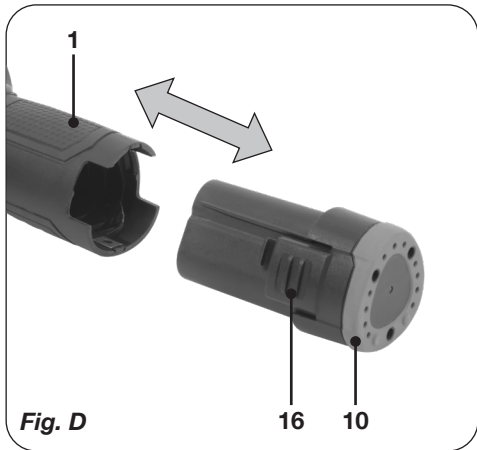
**Fig. B**



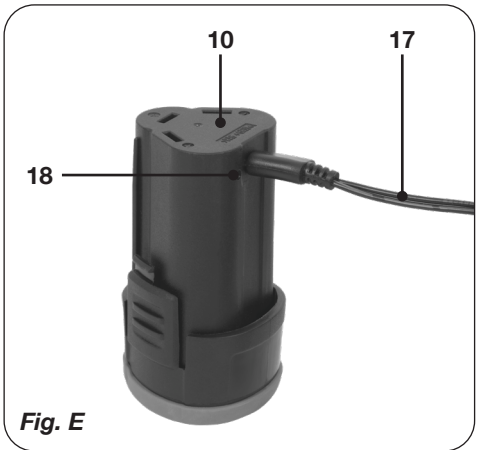
**Fig. C1**



**Fig. C2**



**Fig. D**



**Fig. E**

## GRASS TRIMMER GTM1008

### Thank you for buying this FERM product.

By doing so you now have an excellent product, delivered by one of Europe's leading suppliers. All products delivered to you by Ferm are manufactured according to the highest standards of performance and safety. As part of our philosophy we also provide an excellent customer service, backed by our comprehensive warranty. We hope you will enjoy using this product for many years to come.

## 1. SAFETY INSTRUCTIONS



**Read the enclosed safety warnings, the additional safety warnings and the instructions.** Failure to follow the safety warnings and the instructions may result in electric shock, fire and/or serious injury. **Save the safety warnings and the instructions for future reference.**

The following symbols are used in the user manual or on the product:



Read the user manual.



Denotes risk of personal injury, loss of life or damage to the tool in case of non-observance of the instructions in this manual.



Risk of electric shock.



Risk of flying objects. Keep bystanders away from the work area.



Wear safety goggles and wear hearing protection.



Danger – Keep hands away from moving parts.



Beware of flying objects to bystanders. Keep bystanders safe distance away from the machine.



Do not expose to rain.



Sound power level



Max temperature 40°C



Do not throw the battery into fire.



Separate collection for Li-ion battery.



Do not dispose of the product in unsuitable containers.



The product is in accordance with the application safety standards in the European directives.

## GENERAL SAFETY WARNINGS



**WARNING! Read all safety warnings and all instructions.** Failure to follow the warnings and instructions may result in electric shock, fire and/or serious injury. The term “power tool” in the warnings refers to your mains-operated (corded) power tool or battery-operated (cordless) power tool.

### Save all warnings and instructions for future reference.

The term “power tool” in the warnings refers to your mains-operated (corded) power tool or battery-operated (cordless) power tool.

## SAFETY WARNINGS FOR BATTERY

- Do not open the battery.** Danger of shortcircuiting.
- Protect the battery against heat, e. g., against continuous intense sunlight, fire, water, and moisture.** Danger of explosion.
- In case of damage and improper use of the battery, vapours may be emitted. Ventilate**

**the area and seek medical help in case of complaints.** The vapours can irritate the respiratory system.

- d) **Use the battery only in conjunction with your FERM product.** This measure alone protects the battery against dangerous overload.
- e) **The battery can be damaged by pointed objects such as nails or screwdrivers or by force applied externally.** An internal short circuit can occur and the battery can burn, smoke, explode or overheat.

## SAFETY WARNINGS FOR CHARGER

Charge the type rechargeable Battery packs with the USB cable other types of batteries may burst causing personal injury and damage.

- a) **The appliance is not to be used by persons (including children) with reduced physical, sensory or mental capabilities, or lack of experience and knowledge, unless they have been given supervision or instruction.**
- b) **Children being supervised not to play with the appliance.**
- c) **Do not recharging non-rechargeable batteries!**
- d) **During charging, batteries must be placed in the well-ventilated area!**

### Electrical safety

- Do not charge the Battery packs if the USB cable is damaged.

#### 1) Work area safety

- a) **Keep the work area clean and well lit.** Cluttered or dark areas invite accidents.
- b) **Do not operate power tools in explosive atmospheres, such as in the presence of flammable liquids, gases or dust.** Power tools create sparks which may ignite the dust or fumes.
- c) **Keep children and bystanders away while operating a power tool.** Distractions can cause you to lose control.

#### 2) Electrical safety

- a) **Power tool plugs must match the outlet. Never modify the plug in any way. Do not use any adapter plugs with earthed (grounded) power tools.** Unmodified plugs and matching outlets will reduce risk of electric shock.

- b) **Avoid body contact with earthed or grounded surfaces, such as pipes, radiators, ranges and refrigerators.** There is an increased risk of electric shock if your body is earthed or grounded.
- c) **Do not expose power tools to rain or wet conditions.** Water entering a power tool will increase the risk of electric shock.
- d) **Do not abuse the cord. Never use the cord for carrying, pulling or unplugging the power tool. Keep cord away from heat, oil, sharp edges or moving parts.** Damaged or entangled cords increase the risk of electric shock.
- e) **When operating a power tool outdoors, use an extension cord suitable for outdoor use.** Use of a cord suitable for outdoor use reduces the risk of electric shock.
- f) **If operating a power tool in a damp location is unavoidable, use a residual current device (RCD) protected supply.** Use of an RCD reduces the risk of electric shock.

#### 3) Personal safety

- a) **Stay alert, watch what you are doing and use common sense when operating a power tool. Do not use a power tool while you are tired or under the influence of drugs, alcohol or medication.** A moment of inattention while operating power tools may result in serious personal injury.
- b) **Use personal protective equipment. Always wear eye protection.** Protective equipment such as dust mask, non-skid safety shoes, hard hat, or hearing protection used for appropriate conditions will reduce personal injuries.
- c) **Prevent unintentional starting. Ensure the switch is in the off-position before connecting to power source and/or battery pack, picking up or carrying the tool.** Carrying power tools with your finger on the switch or energising power tools that have the switch on invites accidents.
- d) **Remove any adjusting key or wrench before turning the power tool on.** A wrench or a key left attached to a rotating part of the power tool may result in personal injury.
- e) **Do not overreach. Keep proper footing and balance at all times.** This enables better control of the power tool in unexpected situations.

- f) **Dress properly. Do not wear loose clothing or jewellery. Keep your hair, clothing and gloves away from moving parts.** Loose clothes, jewellery or long hair can be caught in moving parts.
- g) **If devices are provided for the connection of dust extraction and collection facilities, ensure these are connected and properly used.** Use of dust collection can reduce dust related hazards.
- h) **Do not let familiarity gained from frequent use of tools allow you to become complacent and ignore tool safety principles.** A careless action can cause severe injury within a fraction of a second.
- 4) Power tool use and care**
- a) **Do not force the power tool. Use the correct power tool for your application.** The correct power tool will do the job better and safer at the rate for which it was designed.
- b) **Do not use the power tool if the switch does not turn it on and off.** Any power tool that cannot be controlled with the switch is dangerous and must be repaired.
- c) **Disconnect the plug from the power source and/or the battery pack from the power tool before making any adjustments, changing accessories, or storing power tools.** Such preventive safety measures reduce the risk of starting the power tool accidentally.
- d) **Store idle power tools out of the reach of children and do not allow persons unfamiliar with the power tool or these instructions to operate the power tool.** Power tools are dangerous in the hands of untrained users.
- e) **Maintain power tools. Check for misalignment or binding of moving parts, breakage of parts and any other condition that may affect the power tool's operation. If damaged, have the power tool repaired before use.** Many accidents are caused by poorly maintained power tools.
- f) **Keep cutting tools sharp and clean.** Properly maintained cutting tools with sharp cutting edges are less likely to bind and are easier to control.
- g) **Use the power tool, accessories and tool bits etc. in accordance with these instructions, taking into account the working conditions and the work to be performed.** Use of the power tool for operations different from those intended could result in a hazardous situation.
- h) **Keep handles and grasping surfaces dry, clean and free from oil and grease.** Slippery handles and grasping surfaces do not allow for safe handling and control of the tool in unexpected situations.
- 5) Service**
- a) **Have your power tool serviced by a qualified repair person using only identical replacement parts.** This will ensure that the safety of the power tool is maintained.

**Additional safety instruction grass trimmer:**

- Keep the area you are working in clean and tidy.
- Avoid operating the trimmer in rain or wet environments especially when there is a risk of lightning.
- Work only in daylight or in good artificial light
- Do not use power tools where there is a risk of fire or explosion - i.e. near flammable liquids or gases. Power tools create sparks, which may ignite the dust or fumes.
- Never operate the product when you are tired, ill or under the influence of alcohol, drugs or medicine.
- Always wear long heavy trousers, boots and gloves. Do not wear loose clothing, jewellery, short trousers, sandals and never work barefoot.
- Wear safety eye protection and ear defenders when operating the machine
- Don't overreach and keep the balance at all times, always be sure of the footing on slopes and to walk, never run.
- Never allow children, persons with reduced physical, sensory or mental capabilities or lack of experience and knowledge or people unfamiliar with these instructions to use the machine, local regulations may restrict the age of the operator.
- Never work with this trimmer while people, especially children or pets are nearby
- Do not put hands or feet near the cutting system.
- Never fit metal cutting elements to this trimmer.
- Inspect and maintain the trimmer regularly.

- Never operate the trimmer with missing or broken guards or shields or without guards or shields in position.
- Before using the machine and after impact, check for signs of wear or damage and repair if necessary
- Wait until the spool line has completely stopped before touching it. The spool line continues to rotate after the trimmer is switched off; a rotating wire can cause injury.
- Operating the trimmer in wet grass decreases the efficiency of performance.
- Switch off when transporting the trimmer to and from the area to be worked on.
- Switch on the motor only when the hands and feet are away from the cutting means.
- Have the trimmer repaired only by an authorized customer service agent.
- Always ensure that the ventilation slots are kept clear of debris
- Store the machine in a secure, dry place out of the reach of children. Do not place other objects on top of the machine
- Do not operate the machine without the wire attachment fitted
- Do not force the appliance - let it work at the rate for which it was intended.
- Check the cable for damage before starting work and replace if necessary.
- Inspect and maintain the trimmer regularly. Have the trimmer repaired only by an authorised repairer.
- After extending new cutter line or replacing the spool line. Always return the trimmer to its normal operating position before switching on.
- Periodically inspect the condition of the cutting head. If the spool is damaged, switch off, remove the plug from the power point and replace the spool.
- Do not use the machine to cut grass, which is not on the ground. For example, do not cut grass, which is on walls or rocks.
- Do not cross roads or gravel paths with machine still running.
- Only use the machine according to the instructions given in this manual.
- Do not extend the trimming line beyond the guard and do not operate the trimmer without both lines extended and proper line installed.
- Check regularly that the nuts, bolts and screws are tight.

### Residual risks

Even when the power tool is used as prescribed it is not possible to eliminate all residual risk factors.

The following hazards may arise in connection with the power tool's construction and design:

- a) Health defects resulting from vibration emission if the power tool is being used over longer period of time or not adequately managed and properly maintained.
- b) Injuries and damage to property due to broken accessories that are suddenly dashed.



**Warning!** *This power tool produces an electromagnetic field during operation. This field may under some circumstances interfere with active or passive medical implants. To reduce the risk of serious or fatal injury, we recommend persons with medical implants to consult their physician and the medical implant manufacturer before operating this power tool.*

Never replace the non-metallic cutting means with metallic cutting means.

Don't touch moving hazardous parts before the machine is disconnected from the mains and the moving hazardous parts have come to a complete stop. Always wear substantial footwear and long trousers while operating the machine. Disconnect the supply (e.g. remove the plug from the mains or remove the disabling device):

- 1) whenever the machine is left by the user;
  - 2) before clearing a blockage;
  - 3) before checking, cleaning or working on the machine;
  - 4) after striking a foreign object to inspect the machine for damage;
  - 5) if the machine starts to vibrate abnormally, for immediately check.
- Always ensure the guards are fitted when using the tool.

## 2. PRODUCT INFORMATION

### Intended use

This grass trimmer is intended for outdoor use, to trim and to cut grass and lawns in private and hobby gardens. The product is designed cutting grass, light weeds and other similar vegetation at or about ground level. The trimmer should not be used to cut or trim hedges, bushes or other vegetation where the cutting plane is not at or about ground surface level. Do not use the trimmer to shred or to make compost.

### Technical specifications

<b>Model No.</b>	<b>GTM1008</b>
Voltage:	12V
No-load speed:	9.000/min
Recommended battery:	CDA1192 12V DC - 1.5Ah
Cutting width	220mm
Cutting system	2 line wire spool, Tap and go Ø1.2mm x 4m
Weight:	1.4 kg
Sound pressure level:	LPA:71.3 dB(A) K=3dB(A)
Acoustic power level:	LWA:88.3 dB(A) K=1.32dB(A)
<b>Vibration:</b>	
Rear handle	2.63m/s <sup>2</sup>
Front handle	1.24m/s <sup>2</sup> K=1.5m/s <sup>2</sup>

<b>Model No.</b>	<b>CDA1192</b>
Battery Type:	Lithium-Ion
Voltage:	12V
Capacity:	1.5Ah
Recommended charger:	USB (5V 1-2A)
Weight:	0.18kg

Only use the following batteries of the AX-POWER 12V battery platform. Using any other batteries could cause serious injury or damage the tool.  
CDA1192 12V, 1,5Ah Lithium-Ion (included)

The batteries of the AX-POWER 12V battery platform are interchangeable with all the FERM AX-POWER 12V battery platform tools

### Vibration level

The vibration emission level stated in this instruction manual has been measured in accordance with a standardised test given in EN 60335-1 and EN 50636-2-91; it may be used to compare one tool with another and as a preliminary assessment of exposure to vibration when using the tool for the applications mentioned.

- using the tool for different applications, or with different or poorly maintained accessories, may significantly increase the exposure level.
- the times when the tool is switched off or when it is running but not actually doing the job, may significantly reduce the exposure level.

Protect yourself against the effects of vibration by maintaining the tool and its accessories, keeping your hands warm, and organizing your work patterns

## DESCRIPTION

The numbers in the text refer to the diagrams on page 2-4.

1. Handle with softgrip
2. On/off switch
3. Safety switch
4. Battery indicator
5. Front handle
6. Main housing
7. Protection guard
8. Protection bar
9. Spool housing
10. Battery
11. Housing screws
12. Protections guard screw
13. Spool assembly
14. Spring
15. Spool housing
16. Battery release buttons
17. Charger cable
18. Charging indicator

## 3. ASSEMBLY



*Before any work on the power tool, remove the battery*



*The battery must be charged before first use.*

### Removing the battery from the machine (Fig. D)

- Push the battery release buttons (16) and pull the battery out of the machine (1).



### Inserting the battery into the machine (Fig. C)



Ensure that the exterior of the battery is clean and dry before connecting to the charger or machine.

- Insert the battery (10) into the base of the machine (1).
- Push the battery further forward until it clicks into place.

### Charging the battery (with the charger) (Fig. E)

- Plug the USB-C connector of the charger cable (17) into the battery (10).
- Plug the USB-A connector of the charger cable into an USB power adapter (not included). Alternatively, for example a powerbank or laptop can be used as a power source.
- The charger indication light (18) will lighten up and show the charging status.

### LED indicator (7) Fig. E

The battery has 1 LED indicator (18) which indicates the status of the charging process:

LED	Charger status
Red	Battery charging in progress
Green	Battery charging finished, battery fully charged

After the battery is fully charged remove the charger plug from the outlet and unplug the charging cable from the battery.



When the machine is not being used over a longer period of time it is best to store the battery in charged condition.



Before using, always visually inspect to see that the blades, blade bolts and cutter assembly are not worn or damaged.



Warning! You may not use the grass trimmer without the protection guard.

### Mounting the Protection guard (Fig. C1)

- Place the protection guard (7) on to the machine head as shown in Figure C1.
- Secure the guard using the screw (12) delivered
- Insert the protection (8) into the slots on the base (6).



Never attempt to remove the guard.

### Mounting the housings (Fig. B)

- Insert the front handle (5) in to the middle housing (6).
- Insert three main housing parts into each other with are secure fit. Make sure the screw holes align.
- Secure the housing screws (11) into the four slots to assembly the main housing (6).



Before replacing the spool, clean the machine from any dirt.

### Replacing the spool (Fig. C2)

- Remove the spool assembly (13) but leave the spring (14) inside.
- Take the replacement spool assembly and place it over the spring (14).
- Fasten the spool assembly by turning the spool tightly into the spool housing.

## 4. OPERATION

### Using the tap and go system (Fig. C2)

- When the wire is too short, switch the machine on and press the tip of the spool assembly (1) on the ground (make sure this is done on a hard surface).
- This will release the wire in order to get longer.
- The wire will be cut on the correct length automatically by the blade mounted in the protection guard (7).

### Using your grass trimmer

- For your own safety and for the best results read the following user advice and do not use this product for anything other than its intended purpose.
- This grass trimmer is made for cutting grass. All other use that is not specifically allowed in this manual may lead to damage to the grass trimmer or injury to the user.
- Make sure that the work area is free of rock, debris, lines and other objects.
- Start the tool before approaching the grass to be cut.
- Cut the grass by swinging the tool from right to left and proceed slowly keeping the trimmer

inclined forwards at an angle of about 30 degrees.

- High grass should be cut in layers always beginning from the top. Do not cut damp or wet grass. Do not overload your tool.

### Safety features

- The protection guard has a knife for cutting the wire to the correct length. Do not touch the knife to reduce the chance of injury to the user.
- Disconnect the trimmer from its power source when transporting the machine to prevent accidentally turning on the machine during transport.

### Switching On and Off

- To switch the trimmer on, press the safety switch (3) and then press on/off switch (2)
- To switch off, release the on/off switch (2)

## 5. MAINTENANCE



*Before cleaning and maintenance, always switch off the machine and remove the battery pack from the machine*

The machines have been designed to operate over a long period of time with a minimum of maintenance. Continuous satisfactory operation depends upon proper machine care and regular cleaning.

- Turn off the power and pull out the battery before you clean and store the machine.
- The machine requires no additional lubrication.
- Clean the housing and other parts with a mild cleanser and moist cloth.
- Never use aggressive cleansers or solvents.
- Prevent water from getting into the machine.
- Do not leave the trimmer resting on the floor for extended periods as it could cause the shape of the guard to alternate, posing a safety risk. If possible, store the machine lying flat.

### Cleaning

Clean the machine casings regularly with a soft cloth, preferably after each use. Make sure that the ventilation openings are free of

dust and dirt. Remove very persistent dirt using a soft cloth moistened with soapsuds. Do not use any solvents such as gasoline, alcohol, ammonia, etc. Chemicals such as these will damage the synthetic components.

## ENVIRONMENT



*The crossed out wheellie bin symbol means that this product shall not be disposed of with normal household waste. Electronic and Electrical Equipment not included in the selective sorting process are potentially dangerous for the environment and human health due to the presence of hazardous substances. Please dispose of responsibly at an approved waste or recycling facility.*

### Only for EC countries

Do not dispose of power tools into domestic waste. According to the European Guideline 2012/19/EC for Waste Electrical and Electronic Equipment and its implementation into national right, power tools that are no longer usable must be collected separately and disposed of in an environmentally friendly way.

## WARRANTY

FERM products are developed to the highest quality standards and are guaranteed free of defects in both materials and workmanship for the period lawfully stipulated starting from the date of original purchase. Should the product develop any failure during this period due to defective material and/or workmanship then contact your FERM dealer directly.

The following circumstances are excluded from this guarantee:

- Repairs and or alterations have been made or attempted to the machine by unauthorized service centers.
- Normal wear and tear.
- The tool has been abused, misused or improperly maintained.
- Non-original spare parts have been used

This constitutes the sole warranty made by company either expressed or implied. There are no other warranties expressed or implied which extend beyond the face hereof, herein, including the implied warranties of merchantability and fitness for a particular purpose. In no event shall FERM be liable for any incidental or consequential damages. The dealers remedies shall be limited to repair or replacement of nonconforming units or parts.

**The product and the user manual are subject to change. Specifications can be changed without further notice.**

## GRASTRIMMER GTM1008

**Wij danken u voor uw aankoop van dit FERM-product.**

U hebt nu een uitstekend product, dat wordt geleverd door een van de grootste leveranciers van Europa. Alle producten die Ferm levert, zijn vervaardigd volgens de hoogste normen voor prestaties en veiligheid. Het is ook onze filosofie een uitstekende klantenservice te bieden, waar onze uitgebreide garantie achter staat. Wij hopen dat u dit product gedurende vele jaren met genoegen zult gebruiken.

### 1. VEILIGHEIDSINSTRUCTIES



**Lees de bijgesloten veiligheidswaarschuwingen, de aanvullende veiligheidswaarschuwingen en de instructies.** Geeft u geen gevolg aan de veiligheidswaarschuwingen en de instructies dan kan dat een elektrische schok, brand en/of ernstig letsel tot gevolg hebben. **Bewaar de veiligheidswaarschuwingen en de instructies zodat u ze later ook nog kunt raadplegen.**

De volgende symbolen worden gebruikt in de gebruiksaanwijzing of op het product:



*Lees de gebruiksaanwijzing.*



*Duidt op risico op persoonlijk letsel, gevaar van een ongeluk met dodelijke afloop of beschadiging van het gereedschap als de instructies in deze handleiding niet worden opgevolgd.*



*Risico op een elektrische schok.*



*Risico op het wegslingeren van voorwerpen. Houd omstaanders weg van de werkplek.*



*Draag een veiligheidsbril en gehoorbescherming.*



*Gevaar – Houd uw handen uit de buurt van bewegende onderdelen.*



*Houd voor omstaanders rekening met rondvliegende voorwerpen. Houd omstaanders op veilige afstand van de machine.*



*Niet blootstellen aan regen.*



*Geluidsvermogensniveau*



*Max temperatuur 40°C*



*Gooi de accu niet in het vuur.*



*Gescheiden inzameling voor Li-ion-accu.*

*Gooi het product niet weg in containers die daarvoor niet geschikt zijn.*



*Het product voldoet aan de geldende veiligheidsnormen in de Europese richtlijnen.*

## ALGEMENE VEILIGHEIDSWAARSCHUWINGEN



**WAARSCHUWING! Lees alle veiligheidswaarschuwingen en alle instructies.** Geeft u geen gevolg aan de waarschuwingen en de instructies, dan kan dat een elektrische schok, brand en/of ernstig letsel tot gevolg hebben. De woorden 'elektrisch gereedschap' zoals gebruikt in de waarschuwingen verwijzen naar uw elektrisch gereedschap dat via de stroomvoorziening (met snoer) of op basis van een accu (draadloos) wordt gebruikt.

**Bewaar alle waarschuwingen en instructies zodat u ze later ook nog kunt raadplegen.**

De woorden 'elektrisch gereedschap' zoals gebruikt in de waarschuwingen verwijzen naar uw elektrisch gereedschap dat via de stroomvoorziening (met snoer) of op basis van een accu (draadloos) wordt gebruikt.

## VEILIGHEIDSWAARSCHUWINGEN VOOR DE ACCU

- Open de accu niet.** Gevaar voor kortsluiting.
- Bescherm de accu tegen hitte, zoals continu intens zonlicht, vuur, water en vocht.** Gevaar voor ontploffing.
- In geval van beschadiging en verkeerd gebruik van de accu kunnen dampen vrijkomen. Ventileer de omgeving en zoek medische hulp in geval van klachten.** De dampen kunnen tot irritatie van de luchtwegen leiden.
- Gebruik de accu alleen in combinatie met uw FERM-product.** Deze maatregel beschermt de accu tegen gevaarlijke overbelasting.
- De accu kan beschadigd raken door puntige voorwerpen, zoals spijkers of schroevendraaiers of door externe krachten.** Er kan interne kortsluiting optreden en de accu kan gaan branden, roken, exploderen of oververhit raken.

## VEILIGHEIDSWAARSCHUWINGEN VOOR DE LADER

Laad oplaadbare accu's op met de USB-kabel, andere types van accu's kunnen openbarsten, met persoonlijk letsel en schade als gevolg.

- Het apparaat mag niet worden gebruikt door personen (met inbegrip van kinderen) met verminderde fysieke, zintuiglijke of mentale vermogens of met een gebrek aan ervaring en kennis, tenzij ze onder toezicht staan of instructies hebben gekregen.**
- Kinderen die onder toezicht staan mogen niet met het apparaat spelen.**
- Niet-oplaadbare accu's niet opladen!**
- Tijdens het opladen moeten de accu's op een goed geventileerde plaats worden geplaatst!**

### Elektrische veiligheid

- Laad de accu's niet op als de USB-kabel beschadigd is.

## 1) Veiligheid in de werkruimte

- a) **Houd het werkgebied goed schoon en goed verlicht.** Op rommelige of donkere werkplekken zullen gemakkelijk ongelukken gebeuren.
- b) **Gebruik geen elektrische gereedschappen in explosieve situaties, zoals in de nabijheid van ontvlambare vloeistoffen, gasen of stof.** Elektrische gereedschappen maken vonken die het stof of de gasen kunnen ontsteken.
- c) **Houd kinderen en omstanders uit de buurt terwijl u het elektrische gereedschap gebruikt.** Door afleidingen kunt u de controle verliezen.

## 2) Elektrische veiligheid

- a) **Stekkers van elektrisch gereedschap moeten bij de stopcontacten passen. Breng nooit op welke manier dan ook veranderingen in de stekker aan. Gebruik nooit adapterstekkers met (geaard) elektrisch gereedschap.** Originele stekkers en overeenstemmende stopcontacten zullen het risico op een elektrische schok verminderen.
- b) **Voorkom lichamelijk contact met geaarde oppervlakken, zoals leidingen, radiatoren, fornuizen en koelkasten.** Er is sprake van een verhoogd risico op een elektrische schok als uw lichaam geaard is.
- c) **Stel elektrische gereedschappen niet bloot aan regen of natte omstandigheden.** Als water in het elektrisch gereedschap binnendringt, verhoogt dit de kans op een elektrische schok.
- d) **Het snoer niet oneigenlijk gebruiken. Gebruik het snoer nooit om het elektrische gereedschap te dragen of mee te slepen, of om de stekker uit het stopcontact te trekken. Houd het snoer weg bij hete voorwerpen, olie, scherpe randen en/of bewegende onderdelen.** Beschadigde of in de war geraakte snoeren vergroten het risico van een elektrische schok.
- e) **Als u elektrisch gereedschap buitenshuis gebruikt, dient u altijd een verlengsnoer te gebruiken dat geschikt is voor buitenshuis gebruik.** Het gebruik van een snoer dat geschikt is voor buitenshuis gebruik, zal het risico op een elektrische schok verminderen.

- f) **Als het gebruik van elektrisch gereedschap in een vochtige ruimte niet kan worden voorkomen, gebruik dan een altijd een aardlekschakelaar (RCD).** Het gebruik van een aardlekschakelaar zal het risico op een elektrische schok verminderen.

## 3) Persoonlijke veiligheid

- a) **Let altijd op en kijk goed uit wat u doet en gebruik uw verstand tijdens het werken met elektrisch gereedschap. Bedien het product niet wanneer u moe of onder invloed van alcohol of drugs bent.** Een ogenblik van onoplettendheid tijdens het werken met elektrische gereedschap kan ernstig persoonlijk letsel tot gevolg hebben.
- b) **Gebruik persoonlijke beschermingsmiddelen. Draag altijd oogbescherming.** Beschermingsmiddelen zoals een stofmasker, antislip-veiligheidsschoenen, helm, of gehoorbescherming die voor de juiste omstandigheden worden gebruikt, zullen het risico op persoonlijk letsel verminderen.
- c) **Voorkom het onbedoeld starten. Verzekert dat de schakelaar in de uit-stand staat, voordat het gereedschap op de voeding en/of accu wordt aangesloten, wordt opgetild of gedragen.** Het dragen van elektrische gereedschap met de vinger op de schakelaar of het inschakelen van elektrisch gereedschap met de schakelaar in de aan-stand, vraagt om ongelukken.
- d) **Verwijder stelsleutels of steeksleutels voordat u het elektrisch gereedschap inschakelt.** Een moersleutel of andere sleutel die op een draaiend deel van het elektrisch gereedschap blijft zitten, kan persoonlijk letsel tot gevolg hebben.
- e) **Reik niet buiten uw macht. Blijf altijd stevig en in evenwicht staan.** Hierdoor hebt u in onverwachte situaties een betere controle over het elektrische gereedschap.
- f) **Draag geschikte kleding. Draag geen losse kleding of sieraden. Houd uw haar, kleding en handschoenen weg bij bewegende onderdelen.** Loszittende kleding, sieraden of lang haar kunnen door bewegende delen worden gegrepen.
- g) **Als het apparaat wordt geleverd met een aansluiting voor het afzuigen en verzamelen**

van stof, zorg er dan voor dat deze correct worden aangesloten en gebruikt. Het gebruik van het afzuigen en verzamelen van stof, kan de aan stof gerelateerde gevaren verminderen.

- h) **Denk niet dat u wel weet hoe het allemaal werkt, omdat u het gereedschap vaak gebruikt en dat u de veiligheidsbeginselen voor het gebruik van het gereedschap kunt negeren.** Een onbezonnen actie kan in een fractie van een seconde ernstig letsel tot gevolg hebben.
- 4) **Gebruik en onderhoud van elektrisch gereedschap**
- a) **Forceer het elektrisch gereedschap niet. Gebruik het juiste elektrisch gereedschap voor uw werkzaamheden.** Het juiste elektrisch gereedschap klaart de klus beter en veiliger als deze hiervoor is ontworpen.
- b) **Gebruik het elektrisch gereedschap niet als de schakelaar het apparaat niet in- en uitschakelt.** Elk elektrisch gereedschap dat niet met de schakelaar kan worden bediend is gevaarlijk en moet worden gerepareerd.
- c) **Trek de stekker uit het stopcontact en/of verwijder de accu, vóór het uitvoeren van aanpassingen, vervangen van accessoires of opbergen van elektrisch gereedschap.** Dergelijke preventieve veiligheidsmaatregelen verminderen het risico op het onbedoeld starten van het elektrische gereedschap.
- d) **Berg ongebruikt elektrisch gereedschap buiten bereik van kinderen op en sta niet toe dat mensen die onbekend zijn met het elektrische gereedschap of deze instructies, met het elektrische gereedschap werken.** Elektrische gereedschap kan erg gevaarlijk zijn in de handen van niet opgeleide gebruikers.
- e) **Onderhoud van elektrisch gereedschap. Controleer op scheve of klemmende bewegende onderdelen, kapotte onderdelen en enige andere omstandigheden die de werking van het elektrische gereedschap kunnen beïnvloeden. Als het elektrisch gereedschap een beschadiging of storing heeft, dient u het eerst te laten repareren.** Veel ongelukken worden veroorzaakt door slecht onderhouden elektrisch gereedschap.

- f) **Zorg ervoor dat snij- of zaaggereedschap scherp en schoon blijft.** Gepast onderhouden snij- of zaaggereedschap met scherpe snijranden, hebben minder de neiging om beklemd te raken en zijn gemakkelijker onder controle te houden.
- g) **Gebruik het elektrische gereedschap, de accessoires, boren, enz. volgens deze instructies, rekening houdend met de werkomstandigheden en de uit te voeren werkzaamheden.** Gebruik van het elektrisch gereedschap voor andere werkzaamheden dan het bedoelde gebruik, kan een gevaarlijke situatie tot gevolg hebben.
- h) **Houd handgrepen en greepoppervlakken droog, schoon en vrij van olie en vet.** Gladde handgrepen en greepoppervlakken maken veilig werken en controle over het gereedschap in onverwachte situaties onmogelijk.
- 5) **Onderhoud**
- a) **Laat uw elektrisch gereedschap onderhouden door een gekwalificeerde reparateur die uitsluitend identieke vervangende onderdelen gebruikt.** Dit waarborgt dat de veiligheid van het elektrisch gereedschap behouden blijft.

#### **Extra veiligheidsaanwijzing - grastrimmer:**

- Houd het gebied waar u werkt schoon en opgeruimd.
- Vermijd het gebruiken van de trimmer als het regent of in natte omgevingen, in het bijzonder als er risico op onweer is.
- Werk alleen bij daglicht of bij goed kunstlicht
- Gebruik elektrisch gereedschap niet op een plaats waar er gevaar is voor brand of explosie - bijv. in de buurt van brandbare vloeistoffen of gassen. Elektrisch gereedschap maakt vonken, die het stof of de gassen kunnen ontsteken.
- Werk nooit met het product wanneer u moe bent of u zich niet lekker voelt of wanneer u onder invloed bent van alcohol of drugs of van medicatie.
- Draag altijd een lange broek van zware stof, laarzen en handschoenen. Draag geen losse kleding, sieraden, korte broek, sandalen en werk nooit blootsvoets.

- Draag oogbescherming en gehoorbescherming wanneer u met de machine werkt
- Reik niet te ver en bewaar te allen tijde uw evenwicht, sta altijd stevig op hellingen en wandel, loop nooit.
- Laat nooit kinderen of mensen met verminderde fysieke, motorische of mentale mogelijkheden of een gebrek aan kennis of mensen die deze instructies niet kennen, de machine gebruiken, lokale regelgeving kan een leeftijdsbeperking voor de gebruiker opleggen.
- Werk nooit met deze trimmer terwijl er mensen, vooral kinderen of huisdieren, in de buurt zijn
- Houd uw handen en voeten uit de buurt van het maaisysteem.
- Plaats nooit metalen maaionderdelen op deze trimmer.
- Inspecteer en onderhoud de trimmer regelmatig.
- Werk nooit met de trimmer wanneer beschermkappen of schilden ontbreken of gebroken zijn of zonder dat beschermkappen of schilden zijn geplaatst.
- Controleer de machine voor u deze gebruikt of nadat deze is gestoten, op tekenen van slijtage of beschadiging en voer reparaties uit als dat nodig is
- Raak de spoellijn pas aan wanneer deze volledig tot stilstand is gekomen. De spoellijn blijft nog even draaien nadat de trimmer is uitgeschakeld, een ronddraaiende draad kan letsel veroorzaken.
- Wanneer u met de trimmer in nat gras werkt, nemen de prestaties af.
- Schakel de trimmer uit wanneer u deze van en naar de werkplek vervoert.
- Schakel de machine alleen in wanneer handen en voeten weg zijn bij het maaimechanisme.
- Laat de trimmer uitsluitend door een erkende onderhoudsagent repareren.
- Let er altijd op dat de ventilatiesleuven vrij blijven van vuil
- Bewaar de machine op een veilige, droge plaats, buiten het bereik van kinderen. Plaats geen andere voorwerpen bovenop de machine
- Werk niet met de machine zonder dat het draadhulpstuk is gemonteerd
- Oefen geen kracht op het apparaat uit - laat het werken op de snelheid waarvoor het is bedoeld.

Vervang de niet metalen snijmiddelen nooit door metalen snijmiddelen.

Raak de gevaarlijke delen niet aan voordat de stekker van de machine uit het stopcontact is getrokken en de bewegende delen volledig tot stilstand zijn gekomen. Draag altijd stevig schoeisel en een lange broek wanneer u met de machine werkt. Koppel de voeding los (d.w.z. trek de stekker uit het stopcontact of verwijder het uitschakelapparaat):

- 1) als de machine wordt achtergelaten door de gebruiker;
  - 2) voordat u begint met het verhelpen van een verstopping;
  - 3) voordat u de machine nakijkt, reinigt of er werkzaamheden aan verricht;
  - 4) om de machine te controleren op schade na het raken van een vreemd voorwerp;
  - 5) als de machine abnormaal begint te trillen, voor onmiddellijke controle.
- Verzeker altijd dat de beschermkappen zijn gemonteerd wanneer u het gereedschap gebruikt.
  - Controleer de kabel op beschadiging voordat u de werkzaamheden aanvangt en vervang de kabel indien nodig.
  - Inspecteer en onderhoud de trimmer regelmatig. Laat de trimmer uitsluitend repareren door een erkende reparateur.
  - Na het verlengen van de nieuwe snijlijn of het vervangen van de draadspoel. De trimmer altijd in de normale werkingsstand zetten, voordat u het inschakelt.
  - Inspecteer de toestand van de maaikop periodiek. Als de spoel is beschadigd, dient u de stekker uit het stopcontact te nemen en de spoel te vervangen.
  - Gebruik de machine niet om gras te maaien dat niet op de grond groeit. Knip bijvoorbeeld geen gras dat op muren of stenen groeit.
  - Steek geen wegen of grindpaden over als de machine nog in werking is.
  - Gebruik de machine uitsluitend volgens de instructies die in deze handleiding worden gegeven.
  - De trimlijn niet langer dan de beschermkap maken en de trimmer niet gebruiken zonder

dat beide lijnen zijn afgerold en de juiste lijn is geïnstalleerd.

- Controleer regelmatig of de moeren, bouten en schroeven goed vastzitten.

### Overige risico's

Ook wanneer het elektrisch gereedschap wordt gebruikt zoals wordt voorgeschreven kunnen niet alle overige risicofactoren worden geëlimineerd.

De volgende gevaren kunnen zich voordoen in verband met de constructie en het ontwerp van het elektrisch gereedschap:

- Gezondheidsaandoeningen die ontstaan door trillingsemissie als het elektrisch gereedschap gedurende langere tijd wordt gebruikt of niet op juiste wijze wordt beheerd en niet gepast wordt onderhouden.
- Letsels en materiële schade als gevolg van niet goed functionerende accessoires die plotseling kapot gaan.



**Waarschuwing!** Dit elektrisch gereedschap produceert een elektromagnetisch veld tijdens de werking. Dit veld kan onder bepaalde omstandigheden de werking van actieve of passieve medische implantaten verstoren. Beperk het risico van ernstig of dodelijk letsel, wij adviseren personen met medische implantaten advies te vragen aan hun arts en aan de fabrikant van het medisch implantaat, voordat zij met dit elektrisch gereedschap gaan werken.

## 2. PRODUCTINFORMATIE

### Bedoeld gebruik

Deze grastrimmer is bedoeld voor gebruik buitenshuis, voor het maaien van een gazon en grasvelden van particuliere tuinen en hobbytuinen. Het product werd ontwikkeld voor het maaien van gras, gering stugge soorten onkruid en overige vegetatie op of ongeveer op grondniveau. De trimmer moet niet worden gebruikt voor het knippen van heggen, waarbij het snijvlak niet op of ongeveer op het grondniveau is. Gebruik de trimmer niet om te verhakselen of om compost te maken.

### Technische specificaties

<b>Modelnr.</b>	<b>GTM1008</b>
Spanning:	12 V ==
Onbelast toerental:	9000/min
Aanbevolen accu:	CDA1192 12 V DC - 1,5 Ah
Maaibreedte	220 mm
Maaisysteem	2-lijns draadspoel, Tap-and-go Ø1,2 mm x 4 m
Gewicht:	1,4 kg
Geluidsdruk niveau:	LPA: 71,3 dB(A) K=3 dB(A)
Akoestisch vermogensniveau:	LWA: 88,3 dB(A) K=1,32 dB(A)
<b>Trillingen:</b>	
Achterste handgreep	2,63 m/s <sup>2</sup>
Voorste handgreep	1,24 m/s <sup>2</sup> K=1,5 m/s <sup>2</sup>

<b>Modelnr.</b>	<b>CDA1192</b>
Accutype:	Lithium-Ion
Spanning:	12 V
Vermogen:	1,5 Ah
Aanbevolen lader:	USB (5 V 1-2 A)
Gewicht:	0,18 kg

Gebruik uitsluitend de volgende accu's van het AX POWER 12V accu-platform. Gebruik van andere accu's kan leiden tot ernstig letsel of tot beschadiging van het gereedschap. CDA1192 12 V, 1,5 Ah Lithium-ion (inbegrepen)

De accu's van het AX-POWER 12 V accuplatform kunnen worden gebruikt in combinatie met alle gereedschappen van het FERM AX-POWER 12 V-accuplatform

### Trillingsniveau

Het trillingsniveau dat wordt opgegeven in deze gebruikshandleiding werd gemeten overeenkomstig een gestandaardiseerde test, beschreven in EN 60335-1 en EN 50636-2-91; het kan worden gebruikt om de ene machine met de andere te vergelijken en als een voorlopige beoordeling van de blootstelling aan trillingen tijdens het gebruiken van de machine voor de vermelde doeleinden.

- het gereedschap voor andere toepassingen of met andere of slecht onderhouden accessoires gebruiken, kan het blootstellingsniveau aanzienlijk verhogen.
- het aantal keren dat het gereedschap wordt uitgeschakeld of wanneer het is ingeschakeld maar niet werkelijk wordt gebruikt, kan het blootstellingsniveau aanzienlijk verminderen.



Bescherm uzelf tegen de gevolgen van trillingen door het gereedschap en de accessoires goed te onderhouden, uw handen warm te houden en uw werkpatronen te organiseren

## BESCHRIJVING

De nummers in deze tekst verwijzen naar de diagrammen op pagina 2-4.

1. Handgreep met zachte grip
2. Aan-/uitschakelaar
3. Veiligheidsschakelaar
4. Accu-indicatielampje
5. Voorste handgreep
6. Hoofdbehuizing
7. Beschermkap
8. Bescherming stang
9. Spoelbehuizing
10. Accu
11. Schroeven behuizing
12. Schroef voor de beschermkap
13. Spoeleenheid
14. Veer
15. Spoelbehuizing
16. Accuvrijgaveknoppen
17. Laadkabel
18. Laadindicatielampje

## 3. MONTAGE



*Verwijder de accu voordat u werkzaamheden aan het elektrisch gereedschap gaat uitvoeren*



*De accu moet voor het eerste gebruik worden opgeladen.*

### De accu uit de machine nemen (Afb. D)

- Druk op de accuvrijgaveknoppen (16) en trek de accu uit de machine (1).

### De accu in het apparaat plaatsen (Afb. C)

*Controleer of de buitenzijde van de accu schoon en droog is voordat u de accu in de lader of het apparaat plaatst.*

- Steek de accu (10) in de voet van de machine (1).
- Duw de accu verder naar voor tot deze op z'n plaats klikt.

### De accu opladen (met de lader) (Afb. E)

- Steek de USB-C aansluiting van de laadkabel (17) in de accu (10).
- Steek de USB-A aansluiting van de laadkabel in een USB-voedingsadapter (niet inbegrepen). Een andere manier is om, bijvoorbeeld, een powerbank of laptop te gebruiken als voedingsbron.
- De laadindicatielampje (18) gaat branden en geeft de laadstatus weer.

### LED-indicatielampje (7) Afb. E

De accu heeft 1 LED-indicator (18) die de status van het laadproces aangeeft:

LED	Status lader
Red	De accu wordt opgeladen
Groen	Het opladen van de accu is voltooid, de accu is volledig opgeladen

Trek de stekker van de lader uit het stopcontact en trek de laadkabel uit de accu als de accu volledig is opgeladen.



*Wanneer het apparaat gedurende langere tijd niet wordt gebruikt, kunt u de accu het beste in geladen toestand opbergen.*



*Voer altijd een visuele inspectie uit voordat u het product gebruikt, om te zien of de bladen, de bouten van de bladen en het snijmechanisme niet versleten of beschadigd zijn.*



*Waarschuwing! U mag de grastrimmer niet gebruiken zonder de beschermkap.*

### De beschermkap monteren (Afb. C1)

- Zet de beschermkap (7) op de machinekop, zoals wordt weergegeven op afbeelding C1.
- Zet de beschermkap vast met de bijgeleverde schroef (12)
- Steek de bescherming (8) in de sleuven in de voet (6).



*Probeer nooit om de beschermkap te verwijderen.*

### De behuizingen monteren (Afb. B)

- Plaats de voorste handgreep (5) in de middelste behuizing(6).
- Plaats de drie hoofdbehuizingsonderdelen stevig in elkaar. Verzeker dat de schroefgaten uitgelijnd zijn.
- Draai de behuizingsschroeven (11) in de vier sleuven om de hoofdbehuizing te monteren (6).



*Verwijder vuil van de machine voordat u de spoel vervangt.*

### De spoel vervangen (Afb. C2)

- Verwijder de spoelklos (13), maar laat de veer (14) zitten.
- Neem de vervangspoelklos en plaats deze over de veer (14).
- Zet de spoelklos vast door de spoel stevig in de spoelbehuizing te draaien.

## 4. GEBRUIK

### Het tap and go-systeem gebruiken (Afb. C2)

- Als de draad te kort is, schakel de machine dan in en druk de punt van de spoelklos (13) op de grond (verzekert dat u dit doet op een hard oppervlak).
- Dit zal de draad vrijgeven om deze langer te maken.
- De draad wordt automatisch op de juiste lengte afgeknipt door het mes dat in de beschermkap (7) is gemonteerd.

### Werken met de grastrimmer

- Lees voor uw eigen veiligheid en voor de beste resultaten de volgende gebruikersadviezen en gebruik dit product niet voor andere toepassingen dan de bedoelde.
- Deze grastrimmer is gemaakt voor het maaien van gras. Alle andere toepassingen die niet specifiek in deze handleiding worden toegestaan, kunnen leiden tot beschadiging van de grastrimmer of tot verwonding van de gebruiker.
- Verzekert dat de werkplek vrij is van stenen, puin, lijnen en andere voorwerpen.
- Start het gereedschap voordat u het te maaien gras benadert.
- Maai het gras door het gereedschap van rechts naar links te zwaaien en ga langzaam

verder met de trimmer vooruit onder een hoek van ongeveer 30 graden gericht.

- Lang gras moet in lagen gemaaid worden, altijd van boven te beginnen. Maai geen vochtig of nat gras. Overbelast uw gereedschap niet.

### Veiligheidsfuncties

- De beschermkap is voorzien van een mes voor het op de juiste lengte afsnijden van de draad. Raak het mes niet aan en beperk zo de kans dat u zich zelf verwondt.
- Koppel de trimmer los van de voedingsbron tijdens het verplaatsen van de machine, om onbedoeld draaien van de machine tijdens transport te voorkomen.

### In en uitschakelen

- Druk om de trimmer in te schakelen op de veiligheidsschakelaar (3) en daarna op de aan-/uitschakelaar (2)
- Laat de aan-/uitschakelaar (2) los om de machine uit te schakelen

## 5. ONDERHOUD



*Schakel vóór het schoonmaken en uitvoeren van onderhoud, de machine altijd uit en verwijder de accu uit de machine*

De machines zijn zo ontworpen dat ze met een minimum aan onderhoud lange tijd dienst kunnen doen. Voortdurend gebruik naar tevredenheid is afhankelijk van de juiste verzorging van de machine en regelmatige reiniging.

- Schakel de machine uit en verwijder de accu, voordat u de machine schoonmaakt en opbergt.
- De machine vereist geen extra smering.
- Reinig de behuizing en andere onderdelen met een mild schoonmaakmiddel en een vochtige doek.
- Gebruik nooit agressieve schoonmaakmiddelen of oplosmiddelen.
- Voorkom dat er water in de machine komt.
- Laat de trimmer niet voor een langere periode op de grond staan, omdat dit de beschermkap kan vervormen, met een veiligheidsrisico als

gevolg. Berg de machine, indien mogelijk, plat liggend op.

product gedurende deze periode enige storingen vertonen als gevolg van gebrekkig materiaal en/of gebrekkige afwerking, dient direct contact met uw FERM-dealer opgenomen te worden.

## Schoonmaken

Maak de behuizing van het apparaat regelmatig schoon met een zachte doek, bij voorkeur na ieder gebruik. Controleer of de ventilatieopeningen vrij zijn van stof en vuil. Verwijder hardnekkig vuil met een zachte doek vochtig gemaakt met een zeepoplossing. Gebruik geen oplosmiddelen zoals benzine, alcohol, ammoniak, enzovoorts. Chemicaliën zoals deze kunnen de synthetische componenten beschadigen.

De volgende omstandigheden zijn uitgesloten van deze garantie:

- Reparaties en/of wijzigingen die door niet erkende servicecentra aan het apparaat werden aangebracht of waartoe een poging werd ondernomen.
- Normale slijtage.
- Het gereedschap werd misbruikt, verkeerd werd gebruikt en/of onjuist werd onderhouden.
- Niet-originele reserveonderdelen werden gebruikt

## MILIEU



*Het symbool van de doorgekruiste vuilniscontainer betekent dat dit product niet met het gewone huisvuil mag worden weggegooid. Elektronische en elektrische apparatuur die niet is opgenomen in het selectieve afvalsorteringsproces is potentieel gevaarlijk voor het milieu en de menselijke gezondheid vanwege de aanwezigheid van gevaarlijke stoffen. Voer deze op verantwoorde wijze af bij een erkend afvalverwerkings- of recyclingbedrijf.*

Dit betreft de enige garantie die door de organisatie, impliciet of expliciet, wordt aangeboden. Er zijn geen andere garanties, impliciet noch expliciet, die verder strekken dan deze garantie, inclusief de impliciete garanties inzake de verkoopbaarheid en geschiktheid voor een specifiek doel. In geen geval zal FERM aansprakelijk zijn voor incidentele schade of gevolgschade. De oplossingen van de dealers zullen beperkt zijn tot de reparatie of het vervangen van niet-conforme eenheden of onderdelen.

**Het product en de gebruiksaanwijzing kunnen worden gewijzigd. Specificaties kunnen zonder voorafgaande kennisgeving worden gewijzigd.**

## Alleen voor landen in de EG

Gooi geen elektrisch gereedschap bij het huisvuil. Volgens de Europese richtlijnen 2012/19/EC voor Afdankte Elektrische en Elektronische apparatuur en de implementatie daarvan in nationaal recht, moet elektrische gereedschap dat niet meer bruikbaar is, apart worden ingezameld en op een milieuvriendelijke wijze worden verwerkt.

## GARANTIE

Producten van FERM worden ontwikkeld volgens de hoogste kwaliteitsnormen en zijn gegarandeerd vrij van defecten, zowel voor wat betreft het materiaal als de afwerking, gedurende de door de wet bepaalde periode, startend vanaf de datum van de originele aankoop. Mocht het

## COUPE-BORDURE GTM1008

### Merci d'avoir acheté ce produit FERM.

Grâce à lui, vous possédez maintenant un produit d'excellente qualité, proposé par l'un des fournisseurs leaders en Europe. Tous les produits fournis par Ferm sont fabriqués conformément aux plus hautes normes de performance et de sécurité. Notre philosophie d'entreprise prévoit également un excellent service clientèle, renforcé par notre garantie complète. Nous espérons que vous apprécierez l'utilisation de ce produit pendant de nombreuses années.

## 1. CONSIGNES DE SÉCURITÉ



**Veillez à lire les avertissements de sécurité, les avertissements supplémentaires de sécurité ainsi que toutes les instructions jointes.** Le non-respect des avertissements de sécurité et des consignes peut entraîner des décharges électriques, des incendies et/ou de graves blessures. **Conservez tous les avertissements et toutes les instructions liées à la sécurité afin de pouvoir vous y référer dans le futur.**

Les symboles qui suivent sont utilisés dans la notice d'utilisation ou sur le produit :



Lisez la notice d'utilisation.



Indique un risque de blessure, de décès ou de détérioration de l'outil en cas de non-respect des consignes de la présente notice.



Risque de décharge électrique.



Risque de projection d'objets. Éloignez les passants de la zone de travail.



Portez des gants de protection et des protections auditives.



Danger – Gardez vos mains éloignées des pièces mobiles.



Faites attention aux objets qui peuvent être projetés vers les passants. Gardez les personnes à proximité à une distance sûre par rapport à la machine.



N'exposez pas l'équipement à la pluie.



Niveau de puissance sonore



Température maxi 40 °C



Ne jetez pas la batterie au feu.



Recyclez la batterie Li-Ion.



Ne jetez pas le produit de façon inappropriée.



Le produit répond aux normes de sécurité en vigueur des directives européennes.

## AVERTISSEMENTS DE SÉCURITÉ GÉNÉRALE



**AVERTISSEMENT ! Veillez à lire tous les avertissements de sécurité et toutes les instructions.** Le non-respect des avertissements et des instructions peut entraîner des décharges électriques, des incendies et/ou de graves blessures. Le terme "outil électrique" mentionné dans les avertissements fait référence à vos outils électriques branchés sur secteur (avec câble) ou fonctionnant sur pile ou batterie (sans fil).

**Conservez tous les avertissements et toutes les instructions afin de pouvoir vous y référer dans le futur.**

Le terme "outil électrique" mentionné dans les avertissements fait référence à vos outils électriques branchés sur secteur (avec câble) ou fonctionnant sur pile ou batterie (sans fil).

## AVERTISSEMENTS DE SÉCURITÉ CONCERNANT LA BATTERIE

- a) **N'ouvrez pas la batterie.** Risque de court-circuit.
- b) **Protégez la batterie de la chaleur, des rayons directs du soleil continus et intenses, du feu, de l'eau et de l'humidité.** Risque d'explosion.
- c) **L'émission de vapeurs est possible si la batterie est endommagée ou mal utilisée. Aérez la zone et faites appel à un médecin en cas de contamination.** Les vapeurs peuvent irriter les voies respiratoires.
- d) **N'utilisez la batterie qu'avec votre produit FERM.** Cette seule mesure permet de protéger la batterie des surcharges dangereuses.
- e) **La batterie peut être endommagée par des objets pointus comme des clous ou des embouts de tournevis ou si elle subit une force extérieure excessive.** Un court-circuit interne est alors possible et la batterie peut alors s'enflammer, fumer, exploser ou surchauffer.

## AVERTISSEMENTS DE SÉCURITÉ CONCERNANT LE CHARGEUR

Ne rechargez que des blocs-batteries rechargeables avec le câbles USB. Les autres types de batteries peuvent exploser et provoquer des blessures et des dégâts.

- a) **L'appareil ne doit pas être utilisé par des personnes (y compris des enfants) aux capacités physiques, sensorielles ou intellectuelles réduites ou qui manquent d'expérience et de connaissances, à moins qu'elles ne soient supervisées ou qu'elles n'aient été formées.**
- b) **Les enfants doivent être surveillés afin qu'ils ne jouent pas avec l'appareil.**
- c) **Ne rechargez jamais des batteries non rechargeables !**
- d) **Pendant la charge, les batteries doivent être placées dans un endroit bien aéré !**

## Sécurité électrique

- Ne rechargez pas les blocs-batteries si le câble USB est endommagé.

### 1) Sécurité de la zone de travail

- a) **Maintenez la zone de travail propre et bien éclairée.** Les zones sombres ou encombrées sont propices aux accidents.
- b) **N'utilisez pas d'outils électriques dans un environnement présentant des risques d'explosion ou en présence de liquides, gaz ou poussières inflammables.** Les outils électriques créent des étincelles qui peuvent enflammer les poussières et les fumées.
- c) **Maintenez les enfants et les autres personnes éloignés lorsqu'un outil électrique est en marche.** Toute distraction peut vous faire perdre le contrôle de l'outil.

### 2) Sécurité électrique

- a) **Les prises des outils électriques doivent correspondre à la prise de courant murale. Ne modifiez jamais la prise d'aucune sorte. N'utilisez aucun adaptateur avec des outils électriques reliés à la terre.** L'utilisation de prises non modifiées et de prises murales appropriées permet de réduire le risque de choc électrique.
- b) **Évitez tout contact physique avec des surfaces reliées à la terre comme des tuyaux, des radiateurs, des fours et des réfrigérateurs par exemple.** Le risque de décharge électrique augmente lorsque votre corps est relié à la terre.
- c) **N'exposez pas les outils électriques à la pluie, ni à l'humidité.** Le risque de décharge électrique augmente si de l'eau pénètre dans un outil électrique.
- d) **Ne tirez pas sur le cordon d'alimentation. N'utilisez jamais le cordon pour transporter, tirer ou débrancher l'outil électrique. Maintenez le cordon à l'écart de la chaleur, des substances grasses, des bords tranchants ou des pièces mobiles.** Les cordons endommagés ou emmêlés augmentent les risques de décharges électriques.
- e) **Si vous utilisez un outil électrique à l'extérieur, utilisez une rallonge homologuée pour les travaux en extérieur.** L'utilisation d'une rallonge électrique

homologuée pour les travaux à l'extérieur réduit le risque de décharge électrique.

- f) **Si l'utilisation d'un outil électrique dans un endroit humide est inévitable, utilisez une alimentation électrique protégée par un disjoncteur différentiel à courant résiduel (DDR).** L'utilisation d'un DDR réduit le risque de décharge électrique.
- 3) **Sécurité des personnes**
- a) **Restez vigilant, surveillez ce que vous faites et faites preuve de bon sens lorsque vous utilisez un outil électrique. N'utilisez pas d'outils si vous êtes fatigué ou sous l'influence de drogue, d'alcool ou de médicaments.** Tout moment d'inattention pendant l'utilisation d'un outil électrique peut engendrer de graves blessures.
- b) **Portez des équipements de protection individuelle. Portez toujours une protection oculaire.** Les équipements de protection comme les masques à poussière, les chaussures de sécurité antidérapantes, les casques ou les protections auditives réduisent le risque de blessures s'ils sont utilisés à bon escient.
- c) **Empêchez tout démarrage intempestif. Assurez-vous que l'interrupteur est sur la position Arrêt avant de raccorder l'outil à l'alimentation électrique et/ou au bloc-batterie ou avant de ramasser ou de transporter l'outil.** Le fait de transporter les outils électriques le doigt sur l'interrupteur ou d'alimenter les outils électriques dont l'interrupteur est déjà en position de marche augmente le risque d'accidents.
- d) **Retirez toutes les clés ou pinces de réglage avant de mettre l'outil en marche.** Une clé ou une pince restée fixée sur une pièce rotative de l'outil électrique peut engendrer des blessures.
- e) **Ne vous penchez pas. Gardez les pieds bien ancrés au sol et conservez votre équilibre en permanence.** Cela permet de mieux maîtriser l'outil électrique en cas de situations imprévues.
- f) **Portez des vêtements appropriés. Ne portez aucuns vêtements amples, ni bijoux. Gardez vos cheveux, vos vêtements et vos gants éloignés des pièces mobiles.** Les vêtements amples, les bijoux ou les cheveux
- longs peuvent être happés par les pièces mobiles.
- g) **Si vous disposez de dispositifs pour le raccordement d'un extracteur de poussière ou d'installations pour la récupération, assurez-vous qu'ils sont correctement raccordés et utilisés.** L'utilisation de dispositifs récupérateurs de poussière réduit les risques liés aux poussières.
- h) **Ne pensez pas être familiarisé avec l'outil après l'avoir utilisé à de nombreuses reprises, au point de ne plus rester vigilant et d'en oublier les consignes de sécurité.** Toute action imprudente peut engendrer de graves blessures en une fraction de seconde.
- 4) **Utiliser et entretenir un outil électrique**
- a) **Ne forcez pas sur l'outil. Utilisez l'outil approprié, adapté pour le travail à réaliser.** Un outil adapté fonctionne mieux, de façon plus sûre et à la cadence pour laquelle il a été conçu.
- b) **N'utilisez pas l'outil électrique si l'interrupteur ne permet plus de le mettre en marche et de l'éteindre.** Tout outil électrique qui ne peut plus être commandé par son interrupteur est dangereux et il doit être réparé.
- c) **Débranchez la prise de courant et/ou retirez le bloc-batterie de l'outil électrique avant d'effectuer tout réglage, de changer un accessoire ou de ranger l'outil électrique.** Ces mesures de sécurité préventives réduisent le risque de démarrage accidentel de l'outil électrique.
- d) **Quand vous ne les utilisez pas, rangez les outils électriques hors de portée des enfants et ne laissez personne ne connaissant pas ces outils ou leurs instructions d'utilisation les employer.** Les outils électriques peuvent être dangereux entre des mains inexpérimentées.
- e) **Veillez à bien entretenir vos outils électriques. Vérifiez que les pièces mobiles sont alignées correctement et qu'elles ne sont pas coincées. Vérifiez qu'aucune pièce n'est cassée et contrôlez l'absence de toute autre condition qui pourrait nuire au bon fonctionnement de l'outil. En cas de dommage, faites réparer l'outil électrique avant de le réutiliser.** De nombreux accidents

sont provoqués par des outils électriques mal entretenus.

- f) **Maintenez les organes de coupe affûtés et propres.** Des organes de coupe bien entretenus et dont le tranchant est affûté sont moins susceptibles de rester coincés et ils sont plus faciles à contrôler.
- g) **Utilisez les outils électriques, les accessoires et les embouts d'outil conformément à ces instructions, en tenant compte des conditions de travail, ainsi que du travail à effectuer.** L'utilisation d'un outil électrique à d'autres fins que celles pour lesquelles il a été prévu peut entraîner des situations dangereuses.
- h) **Veillez à ce que les poignées et les surfaces de préhension restent sèches et propres, sans trace d'huile ou de graisse.** Des poignées et des surfaces de préhension glissantes ne permettent pas de manipuler et de maîtriser l'outil correctement en cas de situations inattendues.

## 5) Service

- a) **Ne faites réviser/réparer votre outil électrique que par un réparateur qualifié qui n'utilise que des pièces de rechange d'origine.** Cela permet de garantir la sûreté de l'outil électrique.

### Consignes de sécurité supplémentaires propres aux coupe-bordures :

- Gardez votre zone de travail propre et rangée.
- Évitez d'utiliser le coupe-bordure sous la pluie ou dans les environnements mouillés et particulièrement en cas d'orage.
- Ne travaillez que de jour ou avec un excellent éclairage artificiel
- N'utilisez jamais d'outil électrique s'il existe un risque d'explosion, à proximité de liquides ou de gaz inflammables par exemple. Les outils électriques créent des étincelles qui peuvent enflammer les poussières et les fumées.
- Ne faites jamais fonctionner le produit si vous êtes fatigué, malade ou sous l'influence d'alcool, de drogue ou de médicaments.
- Veillez à toujours porter des pantalons à jambes longues, des bottes et des gants. Veillez à ne jamais porter de vêtements amples, de bijoux, de shorts, de sandales et à ne jamais travailler pieds nus.

- Veillez à porter des protections oculaires et auditives pour utiliser la machine
- Ne vous penchez pas, gardez votre équilibre en permanence. Faites attention à votre posture dans les pentes et veillez à toujours marcher et ne jamais courir.
- Ne laissez jamais les enfants ou les personnes ayant des capacités physiques, sensorielles ou intellectuelles réduites ou qui manquent d'expérience et de connaissances ou qui ne se sont pas familiarisées avec ces instructions, utiliser la machine. Il est de plus possible que la réglementation locale restreigne l'âge des utilisateurs.
- Ne travaillez jamais avec le coupe-bordure si des personnes, et particulièrement des enfants ou des animaux, sont à proximité
- Ne placez pas vos mains et vos pieds près du système de coupe.
- N'installez jamais aucun élément de coupe métallique sur ce coupe-bordure.
- Veillez à inspecter et à entretenir le coupe-bordure régulièrement.
- Ne faites jamais fonctionner le coupe-bordure si l'un de ses carters de protection ou déflecteurs est manquant, cassé ou mal positionné.
- Avant d'utiliser la machine ou après un choc, contrôlez l'absence de signes d'usure ou de dommages et faites effectuer les réparations nécessaires
- Patientez que la bobine de fil se soit complètement immobilisée avant de la toucher. Le fil continue à tourner après l'extinction du coupe-bordure et il peut provoquer des blessures.
- Le fait d'utiliser le coupe-bordure dans de l'herbe mouillée réduit son efficacité.
- Éteignez le coupe-bordure pour le transporter d'une zone de travail à une autre.
- Ne démarrez le moteur que si vos pieds et vos mains sont loin des organes de coupe.
- Ne faites réparer le coupe-bordure que par des prestataires de service agréés.
- Veillez à ce que les aérations restent exemptes de débris
- Rangez la machine dans un endroit sûr, au sec et hors de portée des enfants. Ne posez aucun autre objet sur le dessus de la machine
- Ne faites pas fonctionner la machine sans que la bobine de fil ne soit installée

- Ne forcez pas sur la machine. Laissez-la fonctionner à sa propre cadence.

Ne remplacez jamais l'organe de coupe non-métallique par un organe de coupe métallique.

Ne touchez pas les pièces mobiles dangereuses avant que la machine ne soit débranchée et que ces pièces soient à l'arrêt complet. Veillez à toujours porter de solides chaussures et un pantalon long pour utiliser la machine. Débranchez l'alimentation électrique (ex : débranchez la prise de courant ou retirez le dispositif de désactivation) :

- 1) si vous laissez la machine sans surveillance ;
- 2) avant de supprimer un bourrage ;
- 3) avant de vérifier, de nettoyer ou d'intervenir sur la machine ;
- 4) après avoir heurté un cors étranger pour inspecter l'absence de dommage sur la machine ;
- 5) si la machine se met à vibrer anormalement, pour la contrôler immédiatement.

- Assurez-vous toujours que tous les carters de protection sont correctement installés avant d'utiliser l'outil.
- Contrôlez l'absence de dommages sur le câble avant de commencer à travailler et remplacez-le si nécessaire.
- Veillez à inspecter et à entretenir le coupe-bordure régulièrement. Ne faites réparer le coupe-bordure que par un réparateur agréé.
- Après avoir étiré un fil de coupe neuf ou avoir remplacé la bobine de fil. Replacez toujours le coupe-bordure dans la position d'origine avant de le mettre en marche.
- Inspectez régulièrement l'état de la tête de coupe. Si la bobine est endommagée, éteignez la machine, débranchez la prise de courant et remplacez la bobine.
- N'utilisez pas la machine pour couper de l'herbe qui ne serait pas au sol. Par exemple, ne coupez l'herbe sur les murs et les pierres.
- Ne traversez pas de routes ou de chemins gravillonnés quand la machine est en marche.
- N'utilisez pas la machine que conformément aux instructions fournies dans cette notice.
- N'étirez pas le fil de coupe au-delà du carter et ne faites pas fonctionner le coupe-bordure

sans que les deux bouts de fils ne soient sortis et sans que le fil ne soit correctement installé.

- Contrôlez régulièrement que les écrous, les boulons et les vis sont correctement serrés.

### Risques résiduels

Même si l'outil électrique est utilisé de la façon prescrite, la suppression de tous les facteurs de risques résiduels est impossible. Les risques suivants sont possibles du fait même de la fabrication et de la conception de l'outil électrique :

- a) Risques pour la santé dus aux vibrations si l'outil est utilisé pendant de longues périodes ou s'il est mal correctement manipulé et entretenu.
- b) Risques de blessures et de dommages matériels en cas de casse soudaine d'un accessoire.



**Avertissement !** Cet outil électrique crée un champ électromagnétique pendant son utilisation. Ce champ peut, dans certaines circonstances, impacter le fonctionnement des implants médicaux actifs ou passifs. Afin de réduire le risque de blessures graves ou mortelles, nous recommandons aux personnes portant des implants médicaux de consulter leur médecin et le fabricant de leur implant médical avant d'utiliser la machine.

## 2. INFORMATIONS SUR LE PRODUIT

### Utilisation prévue

Ce coupe-bordure a été conçu pour un usage à l'extérieur, pour couper l'herbe et la pelouse dans les jardins des particuliers et des jardiniers amateurs. Le produit est destiné à couper l'herbe, les mauvaises herbes fines et toute autre végétation similaire au niveau du sol. Le coupe-bordure ne doit pas être utilisé pour tailler des haies, des buissons ou d'autres végétaux ne se trouvant pas au niveau du sol. N'utilisez pas le coupe-bordure pour broyer les végétaux ou en faire du compost.



## Caractéristiques techniques

<b>N° de modèle</b>	<b>GTM1008</b>
Tension :	12 V $\equiv$
Vitesse à vide :	9 000/min
Batterie recommandée :	CDA1192 12V CC - 1,5 Ah
Largeur de coupe	220mm
Système de coupe	Bobine à 2 fils, avance du fil par frappe au sol $\varnothing$ 1,2 mm x 4 m
Poids :	1,4 kg
Niveau de pression sonore :	LPA : 71,3 dB(A) K = 3 dB(A)
Niveau de puissance sonore :	LWA 88,3 dB(A) K = 1,32 dB(A)
<b>Vibrations :</b>	
Poignée arrière	2,63m/s <sup>2</sup>
Poignée avant	1,24m/s <sup>2</sup> K = 1,5m/s <sup>2</sup>

<b>N° de modèle</b>	<b>CDA1192</b>
Type de batterie :	Lithium-ion
Tension :	12 V
Capacité :	1,5 Ah
Chargeur recommandé :	USB (5 V 1-2 A)
Poids :	0,18 kg

N'utilisez que les batteries suivantes de la plateforme Batterie AX-POWER 12V. L'utilisation de toute autre batterie pourrait provoquer de graves blessures ou endommager l'outil. CDA1192 12 V, 1,5 Ah Lithium-Ion (fournie)

Les batteries de la plateforme AX-POWER 12V sont interchangeables pour tous les outils de la plateforme Batterie FERM AX-POWER 12V

### Niveau de vibrations

Le niveau des vibrations émises mentionné dans cette notice a été mesuré conformément au test normalisé inclus dans les normes EN 60335-1 et EN 50636-2-91. Il peut servir à comparer un outil avec un autre et également pour une évaluation préliminaire à l'exposition aux vibrations quand l'outil est utilisé comme mentionné.

- l'utilisation de l'outil pour des applications différentes ou avec des accessoires différents ou mal entretenus peut considérablement augmenter le niveau d'exposition.
- les durées pendant lesquelles l'outil est éteint ou qu'il fonctionne à vide peuvent considérablement réduire le niveau d'exposition.

Protégez-vous contre les effets des vibrations en entretenant correctement votre outil et ses

accessoires, en gardant vos mains au chaud et en adaptant votre rythme de travail

## PRÉSENTATION

Les numéros dans le texte renvoient aux diagrammes des pages 2 à 4.

1. Poignée avec revêtement souple
2. Interrupteur Marche/Arrêt
3. Interrupteur de sécurité
4. Témoin de la batterie
5. Poignée avant
6. Boîtier principal
7. Carter de protection
8. Barre de protection
9. Boîtier de la bobine
10. Batterie
11. Vis du boîtier
12. Vis du carter de protection
13. Bobine
14. Ressort
15. Boîtier de la bobine
16. Boutons de libération de la batterie
17. Câble du chargeur
18. Témoin de charge

## 3. ASSEMBLAGE



*Avant d'intervenir d'une quelconque façon sur l'outil électrique, retirez la batterie*



*La batterie doit être chargée avant la première utilisation.*

### Retirer la batterie de la machine (Fig. D)

- Appuyez sur les boutons de déverrouillage de la batterie (16) et sortez la batterie de la machine (1).

### Installez la batterie dans la machine (Fig. C)



*Veillez à ce que l'extérieur de la batterie soit propre et sec avant de la raccorder au chargeur ou à la machine.*

- Insérez la batterie (10) dans la base de la machine (1).
- Poussez la batterie plus loin jusqu'à ce qu'elle s'enclenche en place.

### Recharger la batterie (avec le chargeur) (Fig. E)

- Branchez la prise USB-C du câble du chargeur (17) dans la batterie (10).
- Branchez la prise USB-A du câble du chargeur dans un adaptateur électrique avec prise USB (non fourni). Vous pouvez aussi vous servir d'une batterie externe ou d'un ordinateur portable comme source d'alimentation.
- Le voyant du chargeur (18) s'allume et indique que la charge est en cours.

### Voyant (7) Fig. E

La batterie intègre 1 voyant (18) qui indique l'état du processus de charge :

Voyant	État du chargeur
Rouge	Batterie en cours de charge
Vert	Charge terminée, batterie complètement chargée

Une fois la batterie complètement rechargée, retirez la prise du chargeur de la prise murale et retirez la batterie câble de charge de la batterie.



*Si la machine n'est pas utilisée pendant une certaine durée, il est préférable de la ranger complètement rechargée.*



*Avant l'utilisation, procédez toujours à une inspection visuelle afin de contrôler que les lames, les boulons des lames et le bloc de coupe ne sont ni usés, ni endommagés.*



*Avertissement ! N'utilisez pas le coupe-bordure sans son carter de protection.*

### Installer le carter de protection (Fig. C1)

- Installez le carter de protection (7) sur la tête de la machine comme illustré par la figure C1.
- Fixez le carter de protection à l'aide de la vis (12) fournie
- Insérez la protection (8) dans les fentes de la base (6).



*Ne tentez jamais de retirer le carter de protection.*

### Installer les carters (Fig. B)

- Insérez la poignée avant (5) dans le carter central (6).

- Insérez les trois parties principales du carter les unes dans les autres en les ajustant bien. Vérifiez que les trous des vis sont alignés.
- Fixez les vis du carter (11) dans les quatre fentes pour assembler le carter principal (6).



*Supprimez toutes les saletés de la machine avant de remplacer la bobine.*

### Remplacer la bobine (Fig. C2)

- Sortez la bobine (13) en veillant à laisser le ressort (14) à l'intérieur.
- Prenez la bobine neuve et placez-la sur le ressort (14).
- Fixez la bobine en la tournant fermement dans le porte-bobine.

## 4. UTILISATION

### Utiliser le système d'avance du fil par frappe au sol (Fig. C2)

- Lorsque le fil devient trop court, allumez la machine et appuyez le bout de la bobine (13) sur le sol (assurez-vous de le faire sur une surface dure).
- Cela permet de libérer du fil pour le rallonger.
- Le fil est automatiquement coupé à la bonne longueur par la lame qui se trouve sur le carter de protection (7).

### Utiliser le coupe-bordure

- Pour votre propre sécurité et pour obtenir de meilleurs résultats, lisez les conseils qui suivent et n'utilisez pas ce produit pour autre chose que son utilisation prévue.
- Ce coupe-bordure est destiné à couper de l'herbe. Toute autre utilisation non spécifiquement autorisée dans cette notice peut endommager le coupe-bordure et vous blesser.
- Veillez à ce que la zone de travail soit exempte de pierres, de débris, de fils ou de tout autre objet.
- Démarrez l'outil avant d'approcher l'herbe à couper.
- Coupez l'herbe en balançant l'outil de droite à gauche, lentement, avec le coupe-bordure incliné vers l'avant de 30 degrés environ.
- L'herbe haute doit être coupée par paliers en commençant toujours par le haut. Ne coupez

l'herbe si elle est humide ou mouillée. Ne sursollicitez pas votre outil.

### Caractéristiques liées de sécurité

- Le carter de protection est équipé d'une lame qui sert à couper le fil à la bonne longueur. Afin de réduire tout risque de blessures, veillez à ne pas toucher la lame.
- Débranchez le coupe-bordure pour le transporter afin d'éviter tout démarrage accidentel de la machine.

### Mise en marche et extinction

- Pour allumer le coupe-bordure, appuyez sur l'interrupteur de sécurité (3) puis sur l'interrupteur Marche/Arrêt (2)
- Pour l'éteindre, relâchez l'interrupteur Marche/Arrêt (2)

## 5. MAINTENANCE



*Avant toute opération de nettoyage ou de maintenance, éteignez toujours la machine et retirez-en le bloc-batterie*

Les machines sont conçues pour fonctionner longtemps avec un minimum d'entretien. Le fonctionnement continu et satisfaisant de la machine dépend de son bon entretien et de son nettoyage régulier.

- Éteignez la machine et sortez la batterie avant de la nettoyer et de la ranger.
- La machine ne nécessite aucune lubrification supplémentaire.
- Nettoyez le carter et les autres pièces avec un détergent doux et un chiffon humide.
- N'utilisez jamais de détergent agressif ni de solvants.
- Évitez toute pénétration d'eau dans la machine.
- Ne laissez pas le coupe-bordure au sol trop longtemps car cela pourrait déformer le carter de protection et entraîner un risque pour la sécurité. Si possible, ranger la machine à plat.

### Nettoyage

Nettoyez les boîtiers de la machine régulièrement à l'aide d'un chiffon doux et de préférence après chaque utilisation. Assurez-vous que les fentes d'aération restent exemptes de poussière et de

saletés. Supprimez les taches tenaces à l'aide d'un chiffon doux légèrement humidifié avec une solution savonneuse. N'utilisez aucun solvant, essence, alcool, ammoniac, etc. car ces produits chimiques peuvent endommager les composants synthétiques.

## ENVIRONNEMENT



*Le symbole de la poubelle barrée signifie que ce produit ne peut pas être éliminé avec les déchets ménagers usuels. Les équipements électroniques et électriques non compris dans le processus de tri sélectif sont potentiellement dangereux pour l'environnement et la santé humaine en raison de la présence de substances dangereuses. Veuillez les éliminer de manière responsable dans des centres approuvés de traitement ou recyclage des déchets.*

### Pour les pays de la Communauté Européenne uniquement

Ne pas jeter les outils électriques avec les déchets ménagers. Conformément à la Directive Européenne 2012/19/CE relative à l'élimination des déchets électriques et électroniques et sa transposition dans la législation nationale, les outils électriques inutilisables doivent être collectés séparément et être jetés de façon écologique.

## GARANTIE

Les produits FERM sont développés avec les normes de qualité les plus hautes et ils sont garantis pour être exempts de défauts de pièces et de main d'œuvre pour la durée légale stipulée et à compter de la date d'achat initiale. Si, au cours de cette période, le produit devait rencontrer une quelconque panne due à un défaut de pièce ou de main d'œuvre, contactez votre revendeur FERM directement.

Les conditions suivantes sont exclues de la garantie :

- Réparations ou modifications sur la machine, faites ou tentées par des réparateurs non agréés.
- Usure normale.
- L'outil a été maltraité, mal utilisé ou mal entretenu.
- Utilisation de pièces détachées non d'origine

Cela constitue l'unique garantie, explicite ou implicite, proposée par la société. Il n'existe aucune autre garantie, explicite ou implicite, qui puisse dépasser le cadre de la présente garantie, y compris les garanties implicites de qualité marchande et d'adaptation à un usage particulier. En aucun cas, FERM ne saurait être tenu responsable pour les dommages accidentels ou consécutifs. Les recours des revendeurs sont limités à la réparation ou au remplacement des équipements ou des pièces non conformes.

**Le produit et la notice d'utilisation sont sujets à modifications. Les caractéristiques peuvent être modifiées sans notification préalable.**

## RASENTRIMMER GTM1008

### Vielen Dank für den Kauf dieses FERM-Produkts.

Hiermit erwerben Sie ein hervorragendes Produkt, das von einem der führenden Anbieter Europas geliefert wird. Alle Ihnen von Ferm gelieferten Produkte werden gemäß den höchsten Leistungs- und Sicherheitsstandards hergestellt. Als Teil unserer Philosophie bieten wir Ihnen außerdem einen hervorragenden Kundenservice, der durch unsere umfassende Gewährleistung abgedeckt ist. Wir hoffen, dass Sie in den kommenden Jahren viel Freude mit diesem Produkt haben werden.

## 1. SICHERHEITSHINWEISE



**Lesen Sie die beigefügten Sicherheitswarnungen, die zusätzlichen Sicherheitswarnungen und die Anweisungen.** Die Nichteinhaltung der Sicherheitswarnungen und der Anweisungen kann in einem Stromschlag, Brand und/oder in schweren Verletzungen resultieren. **Bewahren Sie die Sicherheitswarnungen und Anweisungen für künftige Referenzzwecke auf.**

Die folgenden Symbole werden im Benutzerhandbuch oder auf dem Produkt verwendet:



Lesen Sie das Benutzerhandbuch.



Bedeutet, dass bei Nichtbeachtung der Anweisungen in dieser Anleitung Verletzungen, Tod oder Beschädigung des Werkzeugs die Folge sein können.



Stromschlagrisiko.



Risiko von umherfliegenden Objekten. Zuschauer aus dem Arbeitsbereich fernhalten.



Schutzbrille und Gehörschutz tragen.



Gefahr – Hände von beweglichen Teilen fernhalten.



Nehmen Sie sich in Acht vor fliegenden Objekten in Richtung Umstehende. Umstehende in sicherem Abstand von der Maschine halten.



Nicht Regen aussetzen.



Schallleistungspegel



Max. Temperatur 40 °C



Werfen Sie den Akku nicht ins Feuer.



Li-Ionen-Akkus müssen separat entsorgt werden.



Das Produkt nicht in ungeeigneten Behältern entsorgen.



Das Produkt entspricht den anwendbaren Sicherheitsstandards in den europäischen Richtlinien.

## ALLGEMEINE SICHERHEITSWARNUNGEN



**WARNUNG! Beachten Sie alle Sicherheitswarnungen und Anweisungen.** Die Nichtbeachtung der Warnungen und Anweisungen kann in einem Stromschlag, Brand und/oder in schweren Verletzungen resultieren. Der Begriff „Elektrowerkzeug“ in den Warnhinweisen bezieht sich auf ein netzbetriebenes (kabelgebundenes) oder auf ein akkubetriebenes (kabelloses) Elektrowerkzeug.

## Bewahren Sie die Warnungen und Anweisungen für künftige Referenzzwecke auf.

Der Begriff „Elektrowerkzeug“ in den Warnhinweisen bezieht sich auf ein netzbetriebenes (kabelgebundenes) oder auf ein akkubetriebenes (kabelloses) Elektrowerkzeug.

## SICHERHEITSHINWEISE FÜR AKKUS

- Akku nicht öffnen.** Kurzschlussgefahr.
- Schützen Sie den Akku vor Hitze, zum Beispiel vor andauerndem intensiven Sonnenlicht, sowie vor Feuer, Wasser und Feuchtigkeit.** Explosionsgefahr.
- Bei Beschädigung und unsachgemäßer Verwendung des Akkus können Dämpfe freigesetzt werden. Lüften Sie den Bereich und suchen Sie bei Beschwerden einen Arzt auf.** Die Dämpfe können die Atemwege reizen.
- Verwenden Sie den Akku nur in Verbindung mit Ihrem FERM-Produkt.** Nur dadurch wird der Akku vor gefährlicher Überladung geschützt.
- Der Akku kann durch spitze Gegenstände wie Nägel oder Schraubendreher oder durch äußere Krafteinwirkung beschädigt werden.** Es kann ein interner Kurzschluss auftreten und der Akku kann brennen, rauchen, explodieren oder überhitzen.

## SICHERHEITSHINWEISE FÜR LADEGERÄTE

Laden Sie nur aufladbare Akkus mit dem USB-Kabel auf. Andere Akkus können platzen und Verletzungen und Sachschäden verursachen.

- Das Gerät darf nicht von Personen (einschließlich Kinder) mit eingeschränkten körperlichen, sensorischen oder geistigen Fähigkeiten oder mangelnder Erfahrung und mangelndem Wissen verwendet werden, es sei denn, sie werden dabei beaufsichtigt oder sie wurden in die Verwendung des Geräts eingewiesen.**
- Es ist darauf zu achten, dass Kinder nicht mit dem Gerät spielen.**
- Laden Sie keine nicht aufladbaren Batterien auf!**
- Während des Ladevorgangs müssen sich die Akkus in einem gut belüfteten Bereich befinden!**

## Elektrische Sicherheit

- Laden Sie die Akkus nicht mit einem beschädigten USB-Kabel auf.
- 1) **Sicherheit am Arbeitsplatz**
    - a) **Halten Sie den Arbeitsbereich sauber und gut beleuchtet.** Unübersichtliche oder dunkle Bereiche führen eher zu Unfällen.
    - b) **Betreiben Sie Elektrowerkzeuge nicht in explosionsgefährdeten Bereichen, z. B. bei Vorhandensein von brennbaren Flüssigkeiten, Gasen oder Staub.**  
Elektrowerkzeuge erzeugen Funken, die den Staub oder die Dämpfe entzünden können.
    - c) **Halten Sie Kinder und Umstehende fern, während Sie Elektrogeräte benutzen.**  
Ablenkungen können zum Verlust der Kontrolle führen.
  - 2) **Elektrische Sicherheit**
    - a) **Die Stecker von Elektrowerkzeugen müssen zur Steckdose passen. Den Stecker niemals modifizieren. Verwenden Sie bei geerdeten Elektrowerkzeugen keine Adapterstecker.** Nicht modifizierte Stecker und passende Steckdosen reduzieren das Stromschlagrisiko.
    - b) **Vermeiden Sie Körperkontakt mit geerdeten Oberflächen, wie Rohren, Heizkörpern, Herden und Kühlschränken.** Es besteht ein erhöhtes Stromschlagrisiko, wenn Ihr Körper geerdet ist.
    - c) **Setzen Sie Elektrowerkzeuge keinem Regen oder feuchten Bedingungen aus.**  
Wenn Wasser in ein Elektrowerkzeug eindringt, erhöht sich die Gefahr eines Stromschlags.
    - d) **Missbrauchen Sie das Kabel nicht. Verwenden Sie das Kabel niemals zum Tragen, Ziehen oder Herausziehen des Steckers des Elektrowerkzeugs. Halten Sie das Kabel vor Wärme, Öl, spitzen Kanten oder sich bewegenden Teilen fern.**  
Beschädigte oder verwickelte Kabel erhöhen das Stromschlagrisiko.
    - e) **Wenn Sie ein Elektrowerkzeug im Freien betreiben, verwenden Sie ein für den Außeneinsatz geeignetes Verlängerungskabel.** Die Verwendung eines für den Außeneinsatz geeigneten Kabels verringert das Risiko eines Stromschlags.
  - f) **Wenn der Betrieb eines Elektrowerkzeugs in einer feuchten Umgebung unvermeidlich ist, verwenden Sie eine durch einen Fehlerstromschutzschalter geschützte Stromversorgung.** Die Verwendung eines Fehlerstromschutzschalters senkt das Stromschlagrisiko.
  - 3) **Sicherheit von Personen**
    - a) **Bleiben Sie beim Umgang mit einem Elektrowerkzeug aufmerksam, achten Sie auf das, was Sie tun, und benutzen Sie Ihren gesunden Menschenverstand. Benutzen Sie Elektrogeräte nicht, wenn Sie müde sind oder unter dem Einfluss von Drogen, Alkohol oder Medikamenten stehen.** Ein Moment der Unachtsamkeit während des Betriebs eines Elektrowerkzeugs kann zu schwerwiegenden Verletzungen führen.
    - b) **Tragen Sie persönliche Schutzausrüstung. Immer eine Schutzbrille tragen.**  
Schutzausrüstungen wie Staubmaske, rutschfeste Sicherheitsschuhe, Schutzhelm oder Gehörschutz, die unter entsprechenden Bedingungen verwendet werden, verringern die Zahl der Verletzungen.
    - c) **Unbeabsichtigtes Starten verhindern. Vergewissern Sie sich, dass der Schalter ausgeschaltet ist, bevor Sie das Gerät an die Stromquelle und/oder den Akku anschließen, es in die Hand nehmen oder tragen.** Das Tragen von Elektrowerkzeugen mit dem Finger auf dem Schalter oder das Einschalten von Elektrowerkzeugen, bei denen der Schalter eingeschaltet ist, lädt zu Unfällen ein.
    - d) **Entfernen Sie vor dem Einschalten des Elektrowerkzeugs alle Einstellschlüssel oder Schraubenschlüssel.** Ein Einstellschlüssel oder Schraubenschlüssel, der an einem rotierenden Teil des Elektrowerkzeugs verbleibt, kann zu Verletzungen führen.
    - e) **Keine anormale Arbeitshaltung einnehmen. Achten Sie jederzeit auf festen Stand und Ihr Gleichgewicht.** Das ermöglicht eine bessere Kontrolle des Elektrowerkzeugs in unerwarteten Situationen.
    - f) **Angemessene Kleidung tragen. Keine locker sitzende Kleidung oder Schmuck tragen. Haare, Kleidung und Handschuhe von beweglichen Teilen fernhalten.** Locker

sitzende Kleidung, Schmuck oder lange Haare können sich in beweglichen Teilen verfangen.

- g) **Wenn Anschlüsse für Vorrichtungen zum Absaugen und Sammeln von Staub vorhanden sind, stellen Sie sicher, dass diese angebracht und ordnungsgemäß verwendet werden.** Die Verwendung einer Staubabsaugvorrichtung kann staubbedingte Gefahren verringern.
- h) **Achten Sie darauf, nicht durch häufigen Gebrauch von Werkzeugen nachlässig zu werden und die Prinzipien zum sicheren Umgang mit den Werkzeugen zu ignorieren.** Eine unachtsame Handlung kann innerhalb von Sekundenbruchteilen schwere Verletzungen verursachen.
- 4) **Verwendung und Pflege von Elektrowerkzeugen**
- a) **Wenden Sie keine übermäßige Kraft auf das Elektrowerkzeug an. Verwenden Sie das richtige Elektrowerkzeug für Ihre Anwendung.** Das richtige Elektrowerkzeug erledigt die Arbeit besser und sicherer mit der Geschwindigkeit, für die es konzipiert wurde.
- b) **Verwenden Sie das Elektrowerkzeug nicht, wenn es nicht am Schalter ein- und ausgeschaltet werden kann.** Jedes Elektrowerkzeug, das nicht mit dem Schalter gesteuert werden kann, stellt eine Gefahr dar und muss repariert werden.
- c) **Ziehen Sie den Stecker aus der Steckdose bzw. trennen Sie den Akku vom Elektrowerkzeug, bevor Sie irgendwelche Einstellungen vornehmen, Zubehörteile austauschen oder Elektrowerkzeuge aufbewahren.** Diese vorbeugenden Sicherheitsmaßnahmen verringern das Risiko einer unbeabsichtigten Inbetriebnahme des Elektrowerkzeugs.
- d) **Bewahren Sie ungenutzte Elektrowerkzeuge außerhalb der Reichweite von Kindern auf und erlauben Sie Personen, die mit dem Elektrowerkzeug oder dieser Anleitung nicht vertraut sind, nicht, das Elektrowerkzeug zu bedienen.** Elektrowerkzeuge stellen in den Händen von ungeschulten Benutzern eine Gefahr dar.
- e) **Pflegen Sie Elektrowerkzeuge. Prüfen Sie auf Fehlausrichtung oder Blockierung beweglicher Teile, Brüche**

**von Teilen sowie auf alle anderen Bedingungen, die den Betrieb des Elektrowerkzeugs beeinträchtigen können. Bei einer Beschädigung lassen Sie das Elektrowerkzeug vor dem weiteren Gebrauch reparieren.** Viele Unfälle werden durch schlecht gepflegte Elektrowerkzeuge verursacht.

- f) **Halten Sie die Schneidwerkzeuge scharf und sauber.** Ordnungsgemäß gewartete Schneidwerkzeuge mit scharfen Schneidkanten verkleben sich seltener und sind leichter zu kontrollieren.
- g) **Verwenden Sie das Elektrowerkzeug, das Zubehör und die Bits usw. gemäß dieser Anleitung und unter Berücksichtigung der Bedingungen und der vorgesehenen Arbeiten.** Die Verwendung des Elektrowerkzeugs für andere als die vorgesehenen Tätigkeiten kann zu einer gefährlichen Situation führen.
- h) **Halten Sie Griffe und Greifflächen immer trocken, sauber und frei von Öl und Fett.** Rutschige Griffe und Greifflächen verhindern in unerwarteten Situationen den sicheren Umgang mit dem Werkzeug und die richtige Kontrolle darüber.
- 5) **Wartung**
- a) **Lassen Sie Ihr Elektrowerkzeug von einer qualifizierten Fachwerkstatt warten, die nur identische Ersatzteile verwendet.** So wird sichergestellt, dass die Sicherheit des Elektrowerkzeugs gewahrt bleibt.

#### **Zusätzliche Sicherheitsanweisungen für Rasentrimmer:**

- Den Bereich, in dem Sie arbeiten, sauber und ordentlich halten.
- Vermeiden Sie den Betrieb des Trimmers bei Regen oder feuchten Wetterbedingungen, insbesondere wenn Gewittergefahr besteht.
- Arbeiten Sie nur bei Tageslicht oder bei guter künstlicher Beleuchtung.
- Elektrowerkzeuge nicht dort verwenden, wo Brand- oder Explosionsgefahr besteht, also nicht in der Nähe von brennbaren Flüssigkeiten oder Gasen. Elektrowerkzeuge erzeugen Funken, die Staub oder die Dämpfe entzünden können.

- Das Gerät niemals verwenden, wenn Sie müde oder krank sind oder unter Einfluss von Alkohol, Drogen oder Medikamenten stehen.
  - Stets lange, feste Hosen, Stiefel und Handschuhe tragen. Keine weite Kleidung, Schmuck, kurze Hosen, Sandalen tragen und niemals barfuß arbeiten.
  - Beim Betrieb der Maschine Schutzbrille und Gehörschutz tragen.
  - Nicht überstrecken und immer das Gleichgewicht halten, an Hängen immer trittsicher hinstellen, und bei der Arbeit stets gehen, nicht rennen.
  - Erlauben Sie niemals Kindern, Personen mit eingeschränkten körperlichen, sensorischen oder geistigen Fähigkeiten oder einem Mangel an Erfahrung und Wissen oder Personen, die mit dieser Anleitung nicht vertraut sind, das Gerät zu benutzen. Lokale Vorschriften können das Alter des Benutzers beschränken.
  - Den Trimmer nie verwenden, wenn Menschen, insbesondere Kinder, oder Haustiere, in der Nähe sind.
  - Bringen Sie Hände oder Füße nicht in die Nähe des Schneidfadens.
  - Bringen Sie niemals Schneideelemente aus Metall an diesen Trimmer an.
  - Den Trimmer regelmäßig prüfen und warten.
  - Betreiben Sie den Trimmer niemals mit fehlenden oder beschädigten Schutzvorrichtungen oder Schilden oder ohne korrekt angebrachte Schutzvorrichtungen oder Schilde.
  - Vor der Benutzung des Geräts und nach einem Aufprall auf Gegenstände ist dieses auf Anzeichen von Verschleiß oder Beschädigung zu prüfen und ggf. zu reparieren.
  - Warten Sie, bis der Spulenfaden vollständig zum Stillstand gekommen ist, bevor Sie ihn berühren. Der Spulenfaden dreht sich auch nach dem Ausschalten des Trimmers weiter; ein rotierender Faden kann Verletzungen verursachen.
  - Der Betrieb des Trimmers im nassen Gras verringert seine Effizienz.
  - Schalten Sie den Trimmer aus, wenn Sie ihn zu und aus dem zu bearbeitenden Bereich transportieren.
  - Schalten Sie den Motor erst ein, wenn die Hände und Füße nicht mehr im Schneidfadensbereich sind.
  - Lassen Sie den Trimmer nur von einer autorisierten Kundendienststelle reparieren.
  - Achten Sie stets darauf, dass die Lüftungsschlitze frei von Verschmutzungen sind.
  - Bewahren Sie das Gerät an einem sicheren, trockenen Ort und außerhalb der Reichweite von Kindern auf. Keine anderen Gegenstände auf dem Gerät ablegen.
  - Betreiben Sie das Gerät nicht ohne montierte Fadenhalterung.
  - Keine Kraft auf das Gerät ausüben – lassen Sie es in der Geschwindigkeit arbeiten, für die es vorgesehen ist.
- Ersetzen Sie niemals die nichtmetallischen Schneidfäden durch metallische Schneidfäden.
- Berühren Sie keine beweglichen gefährlichen Teile, bevor die Maschine vom Stromnetz getrennt ist und diese Teile zum Stillstand gekommen sind. Tragen Sie bei der Bedienung der Maschine immer festes Schuhwerk und lange Hosen. Trennen Sie in folgenden Fällen die Stromversorgung (z. B. durch Ziehen des Netzsteckers oder Entfernen der Sperrrichtung):
- 1) wenn das Gerät vom Benutzer unbeaufsichtigt gelassen wird;
  - 2) vor Beseitigung einer Blockierung;
  - 3) vor dem Prüfen, Reinigen oder Arbeiten an dem Gerät;
  - 4) nach dem Auftreffen auf einen Fremdkörper, um die Maschine auf Schäden zu untersuchen;
  - 5) Wenn das Gerät anfängt, ungewöhnlich zu vibrieren, um es sofort zu überprüfen.
- Immer sicherstellen, dass die Schutzvorrichtungen bei Gebrauch des Werkzeugs befestigt sind.
  - Das Kabel vor Beginn der Arbeiten auf Schäden prüfen und bei Bedarf ersetzen.
  - Den Trimmer regelmäßig prüfen und warten. Den Trimmer nur von einer Vertragswerkstatt reparieren lassen.
  - Nach dem Verlängern eines neuen Schneidfadens oder dem Austauschen des Spulenfadens. Bringen Sie den Trimmer vor dem Einschalten immer in seine normale Betriebsposition.



- Den Schneidkopf regelmäßig einer Sichtprüfung unterziehen. Wenn die Spule beschädigt ist, schalten Sie das Gerät aus, ziehen Sie den Stecker aus der Steckdose und tauschen Sie die Spule aus.
- Verwenden Sie das Gerät nicht zum Schneiden von Gras, das nicht auf dem Boden wächst. Schneiden Sie also zum Beispiel kein Gras auf Mauern oder Felsen.
- Keine Straßen oder Schotterwege überqueren, wenn das Gerät noch läuft.
- Das Gerät nur gemäß den in diesem Handbuch gegebenen Anweisungen verwenden.
- Verlängern Sie den Schneidfaden nicht über die Schutzabdeckung hinaus und betreiben Sie den Trimmer nicht, wenn nicht beide Fäden herausgezogen sind und der richtige Faden installiert ist.
- Regelmäßig prüfen, dass Muttern, Bolzen und Schrauben fest sind.

### Restrisiken

Auch bei vorschriftsmäßigem Gebrauch der Elektrowerkzeuge lassen sich nicht alle Restrisikofaktoren ausschließen. Im Zusammenhang mit der Konstruktion und Ausführung des Elektrowerkzeugs können die folgenden Gefahren auftreten:

- a) Gesundheitsschäden aufgrund der Vibrationsintensität, wenn das Elektrowerkzeug über einen längeren Zeitraum verwendet wird oder nicht angemessen gehandhabt und gewartet wird.
- b) Verletzungen und Sachschäden durch defektes Zubehör, das plötzlich zerspringt.



**Warnung!** Dieses Elektrowerkzeug erzeugt während des Betriebs ein elektromagnetisches Feld. Dieses Feld kann unter Umständen bei aktiven oder passiven medizinischen Implantaten Störungen verursachen. Zur Verringerung des Risikos schwerer oder tödlicher Verletzungen empfehlen wir Personen mit medizinischen Implantaten, vor dem Betrieb dieses Elektrowerkzeugs ihren Arzt und den Hersteller des medizinischen Implantats zu konsultieren.

## 2. PRODUKTINFORMATIONEN

### Verwendungszweck

Dieser Rasentrimmer ist für den Einsatz im Freien, zum Trimmen und Schneiden von Gras und Rasen in Privat- und Hobbygärten bestimmt. Das Produkt ist für das Schneiden von Gras, dünnem Unkraut und anderer ähnlicher Vegetation in Bodennähe oder darüber konzipiert. Der Trimmer darf nicht zum Schneiden oder Trimmen von Hecken, Sträuchern oder anderen Pflanzen verwendet werden, bei denen sich die Schnittebene nicht auf oder über der Bodenoberfläche befindet. Verwenden Sie den Trimmer nicht zum Häckseln oder zur Herstellung von Kompost.

### Technische Daten

Modellnr.	GTM1008
Spannung:	12 V $\equiv$
Leerlaufdrehzahl:	9.000 U/min
Empfohlener Akku:	CDA1192 12 V DC - 1,5 Ah
Schnittbreite	220mm
Schneidsystem	Spule mit 2 Schneidfäden, Tap-and-Go Ø1,2 mm x 4 m
Gewicht:	1,4 kg
Schalldruckpegel:	LPA: 71,3 dB(A) K=3 dB(A)
Schallleistungspegel:	LWA: 88,3 dB(A), K=1,32 dB(A)
<b>Vibration:</b>	
Hinterer Griff	2,63 m/s <sup>2</sup>
Vorderer Griff	1,24 m/s <sup>2</sup> K=1,5 m/s <sup>2</sup>

Modellnr.	CDA1192
Akkutyp:	Lithium-Ionen
Spannung:	12 V
Kapazität:	1,5 Ah
Empfohlenes Ladegerät:	USB (5 V 1-2 A)
Gewicht:	0,18 g

Verwenden Sie nur folgende Akkus der AX-POWER 12V-Akku-Plattform. Die Verwendung anderer Akkus kann zu schweren Verletzungen oder einer Beschädigung des Werkzeugs führen. CDA1192 12 V, 1,5 Ah Lithium-Ionen (mitgeliefert)

Die Akkus der AX-POWER 12V-Akku-Plattform sind unter allen Werkzeugen der FERM AX-POWER 12V-Akku-Plattform austauschbar

### Vibrationsintensität

Die in dieser Bedienungsanleitung angegebene Vibrationsintensität wurde mit einem

standardisierten Test gemäß EN 60335-1 und EN 50636-2-91 gemessen. Anhand dieser Größe können Werkzeuge miteinander verglichen werden. Außerdem eignet sich diese Größe für eine erste Beurteilung der Vibrationsbelastung bei Verwendung des Werkzeugs für die angegebenen Anwendungszwecke.

- Bei Verwendung des Werkzeugs für andere Anwendungen oder mit anderem oder unzureichend gewartetem Zubehör kann sich die Vibrationsbelastung erheblich erhöhen.
- Wenn das Werkzeug ausgeschaltet ist, oder wenn es eingeschaltet ist, jedoch nicht genutzt wird, kann sich die Vibrationsbelastung erheblich verringern.

Schützen Sie sich selbst vor den Auswirkungen von Vibration, indem Sie das Instrument und dessen Zubehör warten, halten Sie Ihre Hände warm und organisieren Sie Ihren Arbeitsablauf

## BESCHREIBUNG

Die Zahlen im Text beziehen sich auf die Abbildungen auf den Seiten 2-4.

1. Griff mit weicher Oberfläche
2. Ein-/Ausschalter
3. Sicherheitsschalter
4. Akkuanzeige
5. Vorderer Griff
6. Hauptgehäuse
7. Schutzvorrichtung
8. Schutzleiste
9. Spulengehäuse
10. Akku
11. Gehäuseschrauben
12. Schutzabdeckungsschraube
13. Spulengruppe
14. Feder
15. Spulengehäuse
16. Knopf zum Lösen des Akkus
17. Ladekabel
18. Ladestandsanzeige

## 3. MONTAGE



Entfernen Sie vor allen Arbeiten an dem Elektrowerkzeug den Akku.



Der Akku muss vor der erstmaligen Benutzung aufgeladen werden.

### Entnehmen des Akkus aus dem Gerät (Abb. D)

- Drücken Sie die Knöpfe zum Lösen des Akkus (16) und ziehen Sie den Akku aus dem Gerät (1) heraus.

### Einlegen des Akkus in das Gerät (Abb. C)



Stellen Sie sicher, dass die Außenseite des Akkus sauber und trocken ist, bevor Sie ihn an das Ladegerät oder das Gerät anschließen.

- Setzen Sie den Akku (10) in den Sockel des Geräts (1) ein.
- Schieben Sie den Akku weiter nach vorne, bis er einrastet.

### Aufladen des Akkus (mit dem Ladegerät) (Abb. E)

- Stecken Sie den USB-C-Stecker des Ladekabels (17) in den Akku (10).
- Stecken Sie den USB-A-Stecker des Ladekabels in ein USB-Netzteil (nicht mitgeliefert). Alternativ kann auch beispielsweise eine Powerbank oder ein Laptop als Stromquelle verwendet werden.
- Das Anzeigelicht am Ladegerät (18) leuchtet auf und zeigt den Ladestatus an.

### LED-Anzeige (7) Abb. E

Der Akku besitzt 1 LED-Anzeige (18), die seinen Ladestatus angibt:

LED	Status des Ladegeräts
Rot	Akku wird gerade geladen
Grün	Akku-Ladevorgang beendet, Akku voll aufgeladen

Nachdem der Akku vollständig geladen ist, den Ladegerätstecker aus der Steckdose und das Ladekabel aus dem Akku ziehen.



Wenn das Gerät über einen längeren Zeitraum nicht verwendet wird, ist es am besten, den Akku in geladenem Zustand zu lagern.



Vor Gebrauch immer eine Sichtprüfung durchführen, um festzustellen, dass die Klängen, Messerschrauben und

*Schneidmesser nicht verschlissen oder beschädigt sind.*



*Warnung! Der Rasentrimmer darf nicht ohne die Schutzvorrichtung verwendet werden.*

#### **Montage der Schutzvorrichtung (Abb. C1)**

- Bringen Sie die Schutzvorrichtung (7) wie in Abbildung C1 dargestellt am Gerätekopf an.
- Sichern Sie die Schutzvorrichtung mit der mitgelieferten Schraube (12).
- Setzen Sie den Akku (8) in die Schlitzte am Sockel (6) ein.



*Versuchen Sie niemals, die Schutzvorrichtung zu entfernen.*

#### **Anbringen der Gehäuse (Abb. B)**

- Setzen Sie den vorderen Griff (5) in das mittlere Gehäuse (6) ein.
- Stecken Sie die drei Teile für das Hauptgehäuse fest zusammen. Achten Sie darauf, dass die Schraubenlöcher übereinander liegen.
- Drehen Sie die Gehäuseschrauben (11) in den vier Schlitzten fest, um das Hauptgehäuse (6) zu befestigen.



*Reinigen Sie das Gerät vor dem Austausch der Spule von jeglichen Verschmutzungen.*

#### **Auswechseln der Spule (Abb. C2)**

- Nehmen Sie die Spulenbaugruppe (13) heraus, aber lassen Sie die Feder (14) an ihrem Platz.
- Nehmen Sie die Ersatzspulenbaugruppe und legen Sie sie über die Feder (14).
- Befestigen Sie die Spulenbaugruppe, indem Sie die Spule fest in das Spulengehäuse drehen.

Boden. (Achten Sie darauf, dass dies auf einer harten Oberfläche geschieht.)

- Dadurch wird der Faden freigegeben, um verlängert zu werden.
- Der Faden wird durch die in der Schutzabdeckung (7) montierte Klinge automatisch auf die richtige Länge geschnitten.

#### **Verwendung des Rasentrimmers**

- Für Ihre eigene Sicherheit und für beste Ergebnisse die folgenden Benutzerhinweise lesen und dieses Produkt nur für seinen Bestimmungszweck verwenden.
- Dieser Rasentrimmer ist zum Schneiden von Gras vorgesehen. Jeder andere Gebrauch, der nicht speziell in diesem Handbuch erlaubt ist, kann zu Beschädigung des Rasentrimmers führen oder den Bediener verletzen.
- Stellen Sie sicher, dass der Arbeitsbereich frei von Steinen, Schmutz, Leitungen und anderen Gegenständen ist.
- Starten Sie das Gerät, bevor Sie sich dem zu schneidenden Gras nähern.
- Schneiden Sie das Gras, indem Sie das Gerät von rechts nach links schwenken und langsam vorgehen. Neigen Sie den Trimmer dabei in einem Winkel von etwa 30 Grad nach vorne.
- Hohes Gras sollte immer von oben beginnend in Schichten geschnitten werden. Schneiden Sie kein feuchtes oder nasses Gras. Werkzeug nicht überlasten.

#### **Sicherheitsmerkmale**

- Die Schutzvorrichtung verfügt über ein Messer zum Schneiden des Fadens auf die richtige Länge. Berühren Sie die Klinge nicht, um die Verletzungsgefahr für den Benutzer zu verringern.
- Trennen Sie den Trimmer vom Stromnetz, wenn Sie ihn transportieren, um ein versehentliches Einschalten zu vermeiden.

## **4. BETRIEB**

#### **Verwendung des Tap-and-Go-Systems (Abb. C2)**

- Wenn der Faden zu kurz geworden ist, schalten Sie die Maschine ein und drücken Sie die Spitze der Spulenbaugruppe (13) auf den

#### **Ein-/Ausschalten**

- Zum Einschalten des Trimmers den Sicherheitsschalter (3) und dann den Ein-/Ausschalter (2) drücken.
- Zum Ausschalten lassen Sie den Ein-/Ausschalter (2) los.

## 5. WARTUNG



*Vor dem Beginn von Reinigungs- und Wartungsarbeiten immer erst das Gerät ausschalten und den Akku entfernen.*

Die Maschinen sind darauf ausgelegt, über einen langen Zeitraum mit einem Minimum an Wartung betrieben zu werden. Ein fortwährend zufriedenstellender Betrieb hängt von einer ordnungsgemäße Maschinenpflege und regelmäßiger Reinigung ab.

- Vor dem Reinigen und Aufbewahren der Maschine den Strom abschalten und den Akku herausziehen.
- Die Maschine erfordert keine zusätzliche Schmierung.
- Das Gehäuse und sonstige Teile mit einem milden Reinigungsmittel und einem feuchten Tuch reinigen.
- Niemals aggressive Reinigungs- oder Lösungsmittel verwenden.
- Vermeiden, dass Wasser in die Maschine gelangt.
- Lassen Sie den Trimmer nicht für längere Zeit auf dem Boden liegen, da sich sonst die Form der Schutzabdeckung verändern kann, was ein Sicherheitsrisiko darstellt. Nach Möglichkeit sollte das Gerät flach liegend gelagert werden.

### Reinigung

Das Gerätegehäuse regelmäßig mit einem weichen Tuch reinigen, vorzugsweise nach jedem Gebrauch. Sicherstellen, dass die Lüftungsöffnungen frei von Staub und Schmutz sind. Sehr hartnäckigen Schmutz mit einem mit Seifenlauge befeuchteten Tuch entfernen. Keine Lösungsmittel wie Benzin, Alkohol, Ammoniak usw. verwenden, da Chemikalien dieser Art die Kunststoffteile beschädigen.

## UMWELT



*Das nebenstehende Symbol einer durchgestrichenen Mülltonne auf Rädern zeigt an, dass dieses Gerät der Richtlinie 2012/19/EU unterliegt. Diese Richtlinie besagt, dass Sie dieses Gerät am Ende seiner Nutzungszeit nicht mit dem*

*normalen Haushaltsmüll entsorgen dürfen, sondern in speziell eingerichteten Sammelstellen, Wertstoffhöfen oder Entsorgungsbetrieben abgeben müssen. Diese Entsorgung ist für Sie kostenfrei. Schonen Sie die Umwelt und entsorgen Sie fachgerecht.*

*Beim Kauf eines Neugerätes haben Sie das Recht, das entsprechende Altgerät an Ihren Händler zurückzugeben. Händler von Elektro- und Elektronikgeräten mit einer Verkaufsfläche von mindestens 400 qm sowie Lebensmittelhändler mit einer Verkaufsfläche von mindestens 800 qm, die regelmäßig Elektro- und Elektronikgeräte verkaufen, sind außerdem verpflichtet, Altgeräte unentgeltlich zurückzunehmen, auch ohne dass ein Neugerät gekauft wird, wenn die Altgeräte in keiner Abmessung größer sind als 25 cm. Client Name bietet Ihnen Rücknahmemöglichkeiten direkt in den Filialen und Märkten an. Informieren Sie sich auch bei Ihrem Händler über die Rücknahmemöglichkeiten vor Ort.*

*Sofern Ihr Altgerät personenbezogene Daten enthält, sind Sie selbst für deren Löschung verantwortlich, bevor Sie es zurückgeben. Sofern dies ohne Zerstörung des Altgerätes möglich ist, entnehmen Sie die alten Batterien und Akkus sowie Lampen bevor Sie das Altgerät zur Entsorgung zurückgeben und führen Sie sie einer separaten Sammlung zu. Bei fest eingebauten Akkus ist bei der Entsorgung darauf hinzuweisen, dass das Gerät einen Akku enthält. Weitere Möglichkeiten zur Entsorgung des ausgedienten Produkts erfahren Sie bei Ihrer Gemeinde- oder Stadtverwaltung.*

### Nur für EU-Länder

Entsorgen Sie Elektrowerkzeuge nicht im Hausmüll. Nach der europäischen Richtlinie 2012/19/EC über Elektro- und Elektronik-Altgeräte und ihrer Umsetzung in nationales

Recht müssen Elektrowerkzeuge, die nicht mehr verwendet werden sollen, getrennt gesammelt und auf umweltgerechte Weise entsorgt werden.

## GARANTIE

FERM-Produkte werden nach den höchsten Qualitätsstandards entwickelt und sind für den gesetzlich festgelegten Zeitraum ab dem Datum des ursprünglichen Kaufs garantiert frei von Material- und Verarbeitungsfehlern. Sollte das Produkt während dieses Zeitraums aufgrund von Material- und/oder Verarbeitungsfehlern ausfallen, wenden Sie sich bitte direkt an Ihren FERM-Händler.

Folgende Umstände sind aus der Garantie ausgeschlossen:

- An dem Produkt wurden von nicht autorisierten Servicestellen Reparaturen und/oder Änderungen vorgenommen.
- Normaler Verschleiß.
- Das Produkt wurde missbräuchlich oder falsch verwendet oder unsachgemäß gewartet.
- Es wurden keine Originalersatzteile verwendet

Dies ist die einzige ausdrückliche oder stillschweigende Garantie, die das Unternehmen übernimmt. Es gibt keine weiteren ausdrücklichen oder stillschweigenden Garantien, die über die hierin enthaltenen Angaben hinausgehen, einschließlich der stillschweigenden Garantien der Gebrauchstauglichkeit und Eignung für einen bestimmten Zweck. FERM haftet in keinem Fall für zufällige Schäden oder Folgeschäden. Die Rechtsmittel des Händlers beschränken sich auf die Reparatur oder den Austausch der nicht konformen Geräte oder Teile.

**Das Produkt und die Bedienungsanleitung können Änderungen unterliegen. Technische Daten können ohne vorherige Ankündigung geändert werden.**

## PODKASZARKA GTM1008

### Dziękujemy za zakup tego produktu FERM.

Nabyliście Państwo doskonały produkt, dostarczany przez jednego z wiodących dostawców w Europie. Wszystkie produkty dostarczane Państwu przez Ferm są wytwarzane zgodnie z najwyższymi standardami wydajności i bezpieczeństwa. W ramach naszej filozofii zapewniamy również doskonałą obsługę klienta, wsparciem wszechstronną gwarancją. Mamy nadzieję, że będziecie Państwo z przyjemnością korzystali z tego produktu przez wiele lat.

## 1. INSTRUKCJĘ DOTYCZĄCĄ BEZPIECZEŃSTWA



**Przeczytać dołączone ostrzeżenia dotyczące bezpieczeństwa, dodatkowe ostrzeżenia dotyczące bezpieczeństwa oraz instrukcję.**

*Nieprzestrzeganie ostrzeżeń dotyczących bezpieczeństwa oraz instrukcji może prowadzić do porażenia prądem, pożaru i/lub poważnych obrażeń ciała. Zachować ostrzeżenia dotyczące bezpieczeństwa oraz instrukcje na przyszłość.*

Następujące symbole są umieszczone w instrukcji obsługi lub na produkcie:



*Przeczytać instrukcję obsługi.*



*Oznacza ryzyko obrażeń ciała, śmierci lub uszkodzenia narzędzia w razie nieprzestrzegania poleceń z instrukcji.*



*Ryzyko porażenia prądem.*



*Ryzyko wyrzucenia przedmiotów w powietrze. Nie pozwalać osobom postronnym zbliżyć się do obszaru pracy.*



*Należy nosić gogle ochronne i ochronę słuchu.*



*Niebezpieczeństwo – dłonie trzymać z dala od części ruchomych.*



*Uważać na przedmioty, które mogą polecieć w stronę osób znajdujących się w pobliżu. Osoby postronne muszą znajdować się w bezpiecznej odległości od narzędzia.*



*Nie wystawiać urządzenia na działanie deszczu.*



*Poziom mocy akustycznej*



*Maks. temperatura 40°C*



*Nie wrzucać akumulatora do ognia.*



*Zbiórka selektywna akumulatora litowo-jonowego.*



*Nie wyrzucać produktu do nieodpowiednich pojemników.*



*Produkt spełnia wymogi odpowiednich norm bezpieczeństwa podanych w dyrektywach UE.*

## OGÓLNE OSTRZEŻENIA DOTYCZĄCE BEZPIECZEŃSTWA



**OSTRZEŻENIE! Przeczytać wszystkie ostrzeżenia dotyczące bezpieczeństwa i wszystkie instrukcje.** Nieprzestrzeganie ostrzeżeń oraz instrukcji może prowadzić do porażenia prądem, pożaru i/lub poważnych obrażeń ciała. Określenie „elektronarzędzie” w ostrzeżeniach odnosi się do elektronarzędzia zasilanego z sieci (przewodowego) lub elektronarzędzia zasilanego z akumulatora (bezprowodowego).

## Zachować ostrzeżenia oraz instrukcje na przyszłość.

Określenie „elektronarzędzie” w ostrzeżeniach odnosi się do elektronarzędzia zasilanego z sieci (przewodowego) lub elektronarzędzia zasilanego z akumulatora (bezprowodowego).

## OSTRZEŻENIA DOTYCZĄCE AKUMULATORA

- Nie otwierać akumulatora.** Ryzyko zwarcia.
- Chronicz akumulator przed gorącym, np. długotrwałym silnym nasłonecznieniem, ogniem, wodą i wilgocią.** Ryzyko wybuchu.
- W razie uszkodzenia i błędnego użytkownika akumulatora, może dojść do emisji oparów. Przewietrzć miejsce emisji i uzyskać pomoc lekarską w razie dolegliwości.** Opary mogą powodować podrażnienie układu oddechowego.
- Używać akumulatora wyłącznie w połączeniu z produktem FERM.** Takie postępowanie chroni akumulator przed niebezpiecznym przeciążeniem.
- Akumulator może zostać uszkodzony przez ostro zakończone przedmioty, jak gwoździe lub wkrętaki, albo przez uderzenie z zewnątrz.** Może dojść do wewnętrznego zwarcia i akumulator może zacząć się palić, dymić, wybuchnąć lub przegrzać się.

## OSTRZEŻENIA DOTYCZĄCE ŁADOWARKI

Ładować wyłącznie akumulatory wyznaczonego typu za pomocą kabla USB. Akumulatory innego typu mogą wybuchnąć, powodując obrażenia ciała i uszkodzenia mienia.

- Urządzenie nie jest przeznaczone do użytku przez osoby (w tym dzieci) o ograniczonych zdolnościach fizycznych, czuciowych lub umysłowych albo nie posiadające doświadczenia i wiedzy, chyba że zostały one odpowiednio poinstruowane i są pod nadzorem.**
- Dzieciom nie wolno pozwalać bawić się urządzeniem.**
- Nie ładować zwykłych baterii!**
- Podczas ładowania akumulatory muszą znajdować się w dobrze wentylowanym miejscu!**

## Bezpieczeństwo elektryczne

- Nie ładować akumulatorów, jeśli kabel USB jest uszkodzony.

### 1) Bezpieczeństwo miejsca pracy

- Utrzymywać miejsce pracy w czystości i dobrze oświetlone.** Bałagan i ciemności w miejscu pracy prowadzą do wypadków.
- Nie używać elektronarzędzi w atmosferze wybuchowej, np. w obecności łatwopalnych cieczy, gazów lub pyłu.** Elektronarzędzia wytwarzają iskry, które mogą spowodować zapłon pyłu lub oparów.
- Podczas korzystania z elektronarzędzia nie pozwalać zbliżyć się dzieciom i osobom postronnym.** Odwrócenie uwagi może spowodować utratę panowania nad narzędziem.

### 2) Bezpieczeństwo elektryczne

- Wtyczka elektronarzędzia musi pasować do gniazdka. Nigdy w żaden sposób nie modyfikować wtyczki. Nie używać żadnych przejściówek do wtyczek w połączeniu z uziemionymi elektronarzędziami.** Niemodyfikowane wtyczki i pasujące do nich gniazdka zmniejszają ryzyko porażenia prądem.
- Unikać dotykania uziemionych powierzchni, jak rury, grzejniki, kuchenki i lodówki.** Jeśli ciało jest uziemione, ryzyko porażenia prądem jest zwiększone.
- Nie narażać elektronarzędzi na deszcz, wodę lub wilgoć.** Przedostanie się wody do wnętrza elektronarzędzia zwiększy ryzyko porażenia prądem.
- Ostrożnie obchodzić się z kablem. Nigdy nie używać kabla do przenoszenia, ciągnięcia lub odłączania elektronarzędzia od gniazdka. Trzymać kabel z dala od gorąca, oleju, ostrych krawędzi i ruchomych części.** Uszkodzone lub splecione kable zwiększają ryzyko porażenia prądem.
- Podczas użytkowania elektronarzędzia na wolnym powietrzu używać przedłużacza przeznaczonego do użytku na wolnym powietrzu.** Używanie przedłużacza przeznaczonego do użytku na wolnym powietrzu zmniejsza ryzyko porażenia prądem.
- Jeśli obsługa elektronarzędzia w wilgotnym miejscu jest nieunikniona,**

**użyć zasilania wyposażonego w wyłącznik różnicowoprądowy.** Użycie wyłącznika różnicowoprądowego zmniejsza ryzyko porażenia prądem.

### 3) Bezpieczeństwo osobiste

- Zachować czujność, uważać na to, co się robi, a także stosować zdrowy rozsądek podczas korzystania z elektronarzędzia. Nie używać narzędzia, gdy jest się zmęczonym lub pod wpływem leków, alkoholu albo środków odurzających.** Chwila nieuwagi podczas obsługi elektronarzędzia może prowadzić do poważnych obrażeń ciała.
- Stosować środki ochrony osobistej. Zawsze nosić okulary ochronne.** Wyposażenie ochronne, jak maska przeciwpyłowa, antypoślizgowe bezpieczne obuwie, kask lub ochronniki słuchu, używane w odpowiednich warunkach ogranicza występowanie obrażeń ciała.
- Unikać niezamierzonego uruchomienia. Dopilnować, aby wyłącznik znajdował się w położeniu wyłączonym przed podłączeniem elektronarzędzia do źródła zasilania i/lub akumulatora, jego podniesieniem lub przeniesieniem.** Przenoszenie elektronarzędzi z palcem na włączniku lub podłączenie do zasilania elektronarzędzi z włącznikiem w położeniu włączenia jest bardzo niebezpieczne i może powodować wypadki.
- Usunąć wszelkie klucze lub inne narzędzia do regulacji przed włączeniem elektronarzędzia.** Klucz lub inne narzędzie pozostawione podłączone do obracającej się części narzędzia może prowadzić do obrażeń ciała.
- Nie sięgać za daleko. Zawsze utrzymywać właściwe podparcie dla stóp i równowagę.** Pozwala to na lepsze panowanie nad elektronarzędziem w nieoczekiwanych sytuacjach.
- Nosić odpowiednią odzież. Nie nosić luźnych ubrań ani biżuterii. Nie zbliżać włosów, odzieży i rękawic do ruchomych części.** Luźna odzież, biżuteria lub długie włosy mogą zostać pochwycone przez ruchome części.
- Jeśli urządzenie jest wyposażone w złącze do podłączania do urządzeń do**

**gromadzenia i odsysania pyłu, konieczne je podłączyć i używać ich prawidłowo.**

Gromadzenie pyłu pozwala na ograniczanie zagrożeń związanych z pyłem.

- h) **Nie zezwalać na to, aby rutyna związana z częstym korzystaniem z narzędzi powodowała nadmierną pewność siebie i ignorowanie zasad bezpiecznego korzystania z narzędzi.** Nieodpowiedzialne działanie może spowodować poważne obrażenia ciała w ułamku sekundy.
- 4) **Użytkowanie i pielęgnacja elektronarzędzia**
- a) **Nie przeciążać elektronarzędzia. Używać narzędzia przystosowanego do określonego zastosowania.** Właściwe elektronarzędzie wykona pracę lepiej i bezpieczniej z szybkością, do jakiej jest przeznaczone.
- b) **Nie używać elektronarzędzia, jeśli jego włącznik nie pozwala na jego włączanie i wyłączanie.** Elektronarzędzie, którego nie można włączać i wyłączać włącznikiem jest niebezpieczne i musi zostać naprawione.
- c) **Odłączyć wtyczkę od źródła zasilania i/lub odłączyć akumulator od elektronarzędzia przed rozpoczęciem przeprowadzania jakichkolwiek regulacji, wymianą akcesoriów lub rozpoczęciem przechowywania elektronarzędzia.** Takie środki zapobiegawcze ograniczają ryzyko przypadkowego uruchomienia elektronarzędzia.
- d) **Przechowywać nieużywane elektronarzędzia w miejscu niedostępnym dla dzieci i nie pozwalać osobom niezaznajomionym z elektronarzędziem lub tą instrukcją na obsługę elektronarzędzia.** Elektronarzędzia są niebezpieczne w rękach nieprzeszkolonych użytkowników.
- e) **Prawidłowo konserwować elektronarzędzia. Sprawdzić elektronarzędzie pod kątem niedopasowania lub utykania części ruchomych, pęknięcia części lub innych okoliczności, które mogą negatywnie wpływać na jego działanie. W razie uszkodzenia oddać elektronarzędzie do naprawy przed ponownym użyciem.** Wiele wypadków jest spowodowanych słabo konserwowanymi elektronarzędziami.
- f) **Utrzymywać narzędzia tnące naostrzone i czyste.** Właściwie konserwowane narzędzia tnące z ostrymi krawędziami tnącymi są mniej narażone na utykanie i łatwiej nad nimi zapanować.
- g) **Używać elektronarzędzia, akcesoriów i końcówek narzędziowych itp. zgodnie z tą instrukcją, uwzględniając warunki pracy i zadanie do wykonania.** Wykorzystanie elektronarzędzia do zadań niezgodnych z jego przeznaczeniem może prowadzić do niebezpieczeństwa.
- h) **Uchwyty należy utrzymywać w stanie suchym, czystym i niezabrudzonym olejem lub smarem.** Śliskie uchwyty i powierzchnie do chwytania nie pozwalają na bezpieczne obchodzenie się z narzędziem i panowanie nad nim w nieoczekiwanych sytuacjach.
- 5) **Serwis**
- a) **Zlecać serwisowanie elektronarzędzia wykwalifikowanemu technikowi stosującemu jedynie części zamienne identyczne z oryginalnymi.** Zapewni to zachowanie bezpieczeństwa elektronarzędzia.

#### **Podkaszarka – dodatkowe instrukcje dotyczące bezpieczeństwa:**

- Miejsce pracy utrzymywać w porządku i czystości.
- Unikać używania podkaszarki podczas deszczu lub w mokrych miejscach, szczególnie wtedy, gdy występuje ryzyko wyładowań atmosferycznych.
- Pracować wyłącznie w świetle dnia lub przy dobrym oświetleniu sztucznym
- Nie używać elektronarzędzi, jeśli występuje ryzyko pożaru lub eksplozji – np. w pobliżu płynów lub gazów łatwopalnych. Elektronarzędzia wytwarzają iskry, które mogą spowodować zapłon pyłu lub oparów.
- Nigdy nie uruchamiać produktu, gdy jest się zmęczonym, chorym lub pod wpływem leków, alkoholu albo innych środków odurzających.
- Zawsze nosić wytrzymałe spodnie z długimi nogawkami, pełne obuwie i rękawice. Nie nosić luźnych ubrań, biżuterii, krótkich spodenek, sandałów i nigdy nie pracować boso.
- Korzystać z ochrony oczu i ochronników słuchu podczas pracy



- Nie sięgać za daleko i zawsze utrzymywać równowagę. Zawsze pewnie stąpać na zboczach i zawsze chodzić, a nigdy nie biegać.
- Nigdy nie pozwalać na używanie produktu dzieciom, osobom z ograniczonymi zdolnościami fizycznymi, czuciowymi lub umysłowymi albo nieposiadającym doświadczenia i wiedzy oraz osobom niezaznajomionym z niniejszą instrukcją. Przepisy krajowe mogą ograniczać wiek operatora.
- Nigdy nie używać podkaszarki, gdy w pobliżu znajdują się ludzie (zwłaszcza dzieci) lub zwierzęta domowe
- Nie zbliżać dłoni ani stóp do zespołu koszącego.
- Nigdy nie instalować metalowych elementów tnących w tej podkaszarce.
- Regularnie sprawdzać i konserwować podkaszarkę.
- Nigdy nie używać podkaszarki z brakującymi lub pękniętymi osłonami lub pokrywami ani bez nich.
- Przed użyciem narzędzia i w przypadku uderzenia w narzędzie, sprawdzić, czy nie występują oznaki zużycia lub uszkodzenia i zlecić naprawę w razie potrzeby
- Przed dotknięciem żyłki poczekać, aż całkowicie się zatrzyma. Żyłka nadal obraca się po wyłączeniu podkaszarki, a obracająca się żyłka może spowodować obrażenia ciała.
- Używanie podkaszarki w mokrej trawie zmniejsza jej wydajność.
- Wyłączać podkaszarkę na czas jej transportu do i z miejsca pracy.
- Włączać silnik tylko wtedy, gdy dłoni i stopy znajdują się z dala od elementów koszących.
- Przekazywać podkaszarkę do naprawy wyłącznie do autoryzowanego serwisu.
- Dopilnować, aby szczeliny wentylacyjne były zawsze wolne od
- Przechowywać narzędzie w bezpiecznym, suchym miejscu niedostępnym dla dzieci. Nie kłaść niczego na maszynie
- Nie używać narzędzia bez zamontowanej żyłki
- Nie przeciążać narzędzia – należy pozwolić mu działać zgodnie z przeznaczeniem.

Nigdy nie zastępować środków tnących niewykonanych z metalu środkami tnącymi wykonanymi z metalu.

Nie dotykać ruchomych niebezpiecznych części, zanim maszyna nie zostanie odłączona od zasilania i niebezpieczne ruchome części nie zatrzymają się całkowicie. Zawsze nosić solidne obuwie i długie spodnie podczas pracy tą maszyną. Odłączać zasilanie (np. wyjmować wtyczkę z gniazdka zasilania lub zamontować urządzenie wyłączające):

- 1) za każdym razem, gdy maszyna jest pozostawiana bez nadzoru,
  - 2) przed usunięciem zatoru,
  - 3) przed rozpoczęciem kontroli, czyszczenia i napraw lub regulacji maszyny,
  - 4) po uderzeniu w ciało obce, w celu sprawdzenia maszyny pod kątem uszkodzeń,
  - 5) jeśli maszyna zacznie nietypowo wibrować w celu natychmiastowego sprawdzenia.
- Podczas korzystania z narzędzia osłony muszą być zawsze założone.
  - Przed rozpoczęciem pracy sprawdzić, czy przewód nie jest uszkodzony, i w razie potrzeby wymienić go.
  - Regularnie sprawdzać i konserwować podkaszarkę. Podkaszarka może być naprawiana wyłącznie przez autoryzowany serwis.
  - Po wysunięciu nowego odcinka żyłki tnącej lub wymianie szpuli. Zawsze przestawiać podkaszarkę w normalne położenie robocze przed włączeniem.
  - Regularnie sprawdzać stan głowicy tnącej. Jeśli szpula jest uszkodzona, wyłączyć narzędzie, wyjąć wtyczkę zasilania z gniazdka i wymienić szpulę.
  - Nie używać maszyny do przycinania trawy, która znajduje się powyżej powierzchni gruntu. Na przykład nie przycinać trawy znajdującej się na kamieniach lub skałach.
  - Nie przechodzić przez drogi ani ścieżki żwirowe, gdy urządzenie działa.
  - Maszyny należy używać wyłącznie zgodnie z instrukcjami zawartymi w niniejszej instrukcji obsługi.
  - Nie wysuwać żyłki tnącej poza osłonę i nie używać podkaszarki, jeśli obie żyłki nie

są wysunięte i gdy nie jest zainstalowana prawidłowa żyłka.

- Regularnie sprawdzać, czy wszystkie nakrętki, śruby i wkręty są dokręcone.

### Pozostałe zagrożenia

Nawet gdy elektronarzędzie jest użytkowane zgodnie z zaleceniami, nie można wyeliminować wszystkich czynników ryzyka (szczątkowego).

Następujące zagrożenia wiążą się z budową elektronarzędzia:

- Szkody dla zdrowia wynikające z emisji drgań, jeśli elektronarzędzie jest używane przez długi okres i nie jest odpowiednio konserwowane i regulowane.
- Obrażenia ciała i uszkodzenia mienia z powodu pękniętych akcesoriów, nagle wyrzuconych przez urządzenie.



**Ostrzeżenie!** To elektronarzędzie wytwarza pole elektromagnetyczne podczas pracy. To pole może w pewnych okolicznościach zakłócać aktywne lub pasywne implanty medyczne. Aby ograniczyć ryzyko poważnych lub śmiertelnych obrażeń ciała, zalecamy osobom z implantami medycznymi konsultację z lekarzem oraz producentem implantu przed rozpoczęciem obsługi tego elektronarzędzia.

## 2. INFORMACJE O PRODUKCIE

### Przeznaczenie

Podkaszarka do trawy jest przeznaczona do użytku na wolnym powietrzu do przycinania i koszenia trawy na trawnikach i w ogrodach. Produkt jest przeznaczony do koszenia trawy, luźnych zarośli itp. roślinności przy poziomie gruntu lub nieznacznie powyżej. Podkaszarki nie należy używać do ścinania lub koszenia żywopłotów, krzewów lub innej roślinności, gdy płaszczyzna koszenia nie znajduje się na poziomie gruntu lub nieznacznie powyżej. Nie używać podkaszarki do rozdrabniania roślinności ani wytwarzania kompostu.

### Dane techniczne

<b>Nr modelu</b>	<b>GTM1008</b>
Napięcie:	12 V ==
Obroty bez obciążenia:	9 000/min
Zalecany akumulator:	CDA1192 12 V prądu stałego - 1,5 Ah
Szerokość cięcia	220 mm
Układ koszenia	szpula z 2 żyłkami typu „stuknij, aby wysunąć” Ø1,2 mm x 4 m
Ciężar:	1,4 kg
Poziom ciśnienia akustycznego:	LPA: 71,3 dB(A) K = 3 dB(A)
Poziom mocy akustycznej:	LWA: 88,3 dB(A) K = 1,32 dB(A)
<b>Drgania:</b>	
Tylny uchwyt	2,63 m/s <sup>2</sup>
Przedni uchwyt	1,24 m/s <sup>2</sup> K = 1,5 m/s <sup>2</sup>

<b>Nr modelu</b>	<b>CDA1192</b>
Typ akumulatora:	litowo-jonowy
Napięcie:	12 V
Pojemność:	1,5 Ah
Zalecana ładowarka:	USB (5 V, 1-2 A)
Ciężar:	0,18 kg

Używać wyłącznie następujących akumulatorów z platformy akumulatorów AX-POWER 12 V. Użycie innych akumulatorów może spowodować poważne obrażenia ciała lub uszkodzenie narzędzia. CDA1192 12 V; 1,5 Ah litowo-jonowy (dołączony)

Akumulatory należące do platformy AX-POWER 12 V można stosować we wszystkich narzędziach z platformy FERM AX-POWER 12 V

### Poziom drgań

Poziom emisji drgań podany w niniejszej instrukcji został zmierzony zgodnie ze zharmonizowanym testem podanym w normach EN 60335-1 oraz EN 50636-2-91 i może być stosowany do porównywania narzędzi ze sobą oraz w celu wstępnego oszacowania narażenia na drgania podczas stosowania narzędzia zgodnie z podanym przeznaczeniem.

- używanie narzędzia do innych zastosowań lub z innymi lub złe konserwowanymi akcesoriami może znacząco zwiększać poziom ekspozycji.
- okresy, gdy narzędzie jest wyłączone lub okresy, gdy jest włączone, ale nie pracuje, mogą znacząco zmniejszać poziom ekspozycji.

Chronić się przed wpływem drgań, konserwując odpowiednio narzędzie i akcesoria, utrzymując

ciepłotę dłoni oraz odpowiednio organizując pracę.

## OPIS

Liczby w tekście odnoszą się do rysunków na stronach 2 - 4.

1. Uchwyt z miękką powierzchnią
2. Włącznik
3. Wyłącznik bezpieczeństwa
4. Kontrolka akumulatora
5. Uchwyt przedni
6. Główna obudowa
7. Osłona ochronna
8. Pręt ochronny
9. Kaseta szpuli
10. Akumulator
11. Śruby obudowy
12. Śruba osłony ochronnej
13. Zespół szpuli
14. Sprężyna
15. Kaseta szpuli
16. Przyciski zwalniania akumulatora
17. Kabel ładowania
18. Kontrolka ładowania

## 3. MONTAŻ



Przed rozpoczęciem jakichkolwiek pracy dotyczących elektronarzędzia, wyjąć akumulator.



Akumulator należy naładować przed pierwszym użyciem.

### Wymowanie akumulatora z urządzenia (rys. D)

- Wcisnąć przyciski zwalniania akumulatora (16) i wyciągnąć akumulator z narzędzia (1).

### Wkładanie akumulatora do narzędzia (rys. C)



Dopilnować, aby zewnętrzna powierzchnia akumulatora była czysta i sucha przed podłączeniem do ładowarki lub narzędzia.

- Włożyć akumulator (10) w podstawę narzędzia (1).
- Wcisnąć akumulator dalej, aż zatrzaśnie się w poprawnym położeniu.

### Ładowanie akumulatora (ładowarką) (rys. E)

- Podłączyć wtyczkę USB-C kabla ładowarki (17) do akumulatora (10).
- Podłączyć wtyczkę USB-A kabla ładowarki do zasilacza USB (nie dołączony). Jako źródła zasilania można również użyć powerbanku lub laptopa.
- Kontrolka ładowania (18) zaświeci się, informując o stanie ładowania.

### Dioda LED (7) Rys. E

Akumulator jest wyposażony w 1 diodę LED (18), informującą o stanie procesu ładowania:

Dioda LED	Stan ładowarki
Czerwona	Ładowanie akumulatora w toku
Zielona	Ładowanie akumulatora zakończone, akumulator całkowicie naładowany

Po całkowitym naładowaniu akumulatora wyjąć wtyczkę ładowarki z gniazdka i odłączyć kabel ładowania od akumulatora.



Kiedy urządzenie nie jest używane przez długi okres, najlepiej przechowywać akumulator w stanie naładowanym.



Przed użyciem zawsze sprawdzić wzrokowo, czy ostrza, śruby ostrzy i zespół tnący nie są zużyte lub uszkodzone.



Ostrzeżenie! Nie można korzystać z podkaszarki bez osłony ochronnej.

### Montaż osłony ochronnej (rys. C1)

- Założyć osłonę ochronną (7) na głowicę maszyny zgodnie z rysunkiem C1.
- Zamocować osłonę śrubą (12) dołączoną do zestawu
- Włożyć pręt ochronny (8) w szczeliny na obudowie (6).



Nigdy nie podejmować prób demontażu osłony.

### Montaż elementów obudowy (rys. B)

- Włożyć uchwyt przedni (5) w środkowy element obudowy (6).
- Włożyć wszystkie trzy elementy obudowy jeden w drugi, aby solidnie je zamocować.

Dopilnować, aby otwory na śruby były do siebie dopasowane.

- Wkręcić śruby obudowy (11) w cztery otwory w celu zmontowania głównej obudowy (6).



*Przed wymianą szpuli dokładnie oczyścić narzędzie.*

#### **Wymiana szpuli (rys. C2)**

- Wyjąć zespół szpuli (13), ale pozostawić sprężynę (14) wewnątrz.
- Wziąć zamienny zespół szpuli i założyć go na sprężynę (14).
- Zamocować zespół szpuli, wkręcając szpulę ciasno w obudowę szpuli.

## **4. OBSŁUGA**

### **Korzystanie z systemu typu „stuknij, aby wysunąć żytkę” (rys. C2)**

- Kiedy żyłka jest za krótka, włączyć narzędzie i stuknąć końcówką zespołu szpuli (13) o podłoże (koniecznie stuknąć o twardą powierzchnię).
- Spowoduje to zwolnienie i wysunięcie żytki.
- Żyłka zostanie automatycznie przycięta na odpowiednią długość przez ostrze zamontowane w osłonie ochronnej (7).

### **Korzystanie z podkaszarki**

- Dla własnego bezpieczeństwa i uzyskania najlepszych rezultatów należy zapoznać się z poniższymi poradami dla użytkowników i nie używać produktu do celów niezgodnych z przeznaczeniem.
- Ta podkaszarka jest przeznaczona do koszenia trawy. Wszystkie pozostałe zastosowania nieopisane w tej instrukcji mogą spowodować uszkodzenie podkaszarki lub obrażenia ciała użytkownika.
- Dopilnować, aby miejsce pracy było wolne od kamieni, resztek, przewodów, linek i innych przedmiotów.
- Uruchomić produkt przed podejściem do trawy do skoszenia.
- Kosić trawę, poruszając produktem wahadłowo z prawej strony do lewej i pracować powoli naprzód, utrzymując podkaszarkę pochyloną naprzód pod kątem około 30 stopni.

- Długą trawę należy kosić etapami, zawsze zaczynając od góry. Nie kosić mokrej trawy. Nie przeciążać narzędzia.

### **Zabezpieczenia**

- Osłona ochronna jest wyposażona w ostrze do przycinania żytki na prawidłową długość. Nie dotykać ostrza, aby ograniczyć ryzyko odniesienia obrażeń ciała przez użytkownika.
- Odłączać podkaszarkę od źródła zasilania na czas jej transportu, aby zapobiegać jej przypadkowemu włączeniu podczas transportu.

### **Włączanie i wyłączanie**

- Aby włączyć podkaszarkę, wcisnąć wyłącznik bezpieczeństwa (3), a następnie nacisnąć włącznik (2)
- Aby wyłączyć narzędzie, zwolnić włącznik (2)

## **5. KONSERWACJA**



*Przed rozpoczęciem czyszczenia i konserwacji zawsze wyłączyć urządzenie i wyjmować z niego akumulator*

Ta maszyna jest przeznaczona do długotrwałej pracy z minimalną konserwacją. Długotrwała udana praca zależy od odpowiedniej konserwacji i regularnego czyszczenia maszyny.

- Wyłączyć zasilanie i wyciągnąć akumulator przed wyczyszczeniem i schowaniem urządzenia.
- Urządzenie nie wymaga dodatkowego smarowania.
- Czyścić obudowę i inne części za pomocą łagodnych środków czyszczących i wilgotnej szmatki.
- Nie należy używać agresywnych środków czyszczących ani rozpuszczalników.
- Do wnętrza urządzenia nie może dostać się woda.
- Nie pozostawiać podkaszarki opartej o podłoże na długi okres, gdyż może to spowodować odkształcenie osłony, co spowoduje zagrożenie dla bezpieczeństwa. W razie możliwości przechowywać narzędzie leżące płasko.

## Czyszczenie

Czyścić obudowę urządzenia regularnie miękką ściereczką, najlepiej po każdym użyciu. Dopilnować, aby otwory wentylacyjne były wolne od pyłu, kurzu i zabrudzeń. Usuwać oporne zabrudzenia miękką ściereczką zwilżoną mydlinami. Nie używać żadnych rozpuszczalników, takich jak benzyna, alkohol, amoniak itp. Takie substancje chemiczne spowodują uszkodzenie części z tworzyw sztucznych.

i/lub wadą wykonania, proszę bezpośrednio skontaktować się ze sprzedawcą FERM.

Następujące okoliczności powodują unieważnienie gwarancji:

- Przeprowadzono naprawy lub modyfikacje narzędzia w serwisie innym lub autoryzowany lub podjęto ich próbę.
- Normalne zużycie.
- Narzędzie było używane niezgodnie z przeznaczeniem, źle z nim się obchodzono lub było nieprawidłowo konserwowane.
- Użyto części zamiennych innych niż oryginalne.

## ŚRODOWISKO



*Symbol przekreślonego kołowego kontenera na odpady oznacza, że tego produktu nie można wyrzucać wraz z innymi odpadami gospodarstwa domowego. Ze względu na obecność niebezpiecznych substancji, mieszanin lub części składowych urządzenia elektryczne i elektroniczne, niepodlegające procesowi selektywnego sortowania są potencjalnie niebezpieczne dla środowiska i zdrowia ludzi. Produkt należy zutilizować w sposób odpowiedzialny w zatwierdzonym zakładzie utylizacji odpadów lub recyklingu.*

Niniejsza gwarancja to wyłączna gwarancja producenta i nie obowiązują żadne inne wyrażone ani dorozumiane gwarancje. Nie obowiązują żadne inne wyrażone ani dorozumiane gwarancje o zakresie przekraczającym niniejszą gwarancję, co obejmuje dorozumiane gwarancje przydatności do sprzedaży i przydatności do określonego celu. W żadnym przypadku firma FERM nie ponosi odpowiedzialności za straty przypadkowe lub wynikowe. Zadośćuczynienie sprzedawcy jest ograniczone do naprawy lub wymiany niezgodnych urządzeń lub części.

**Produkt i instrukcja obsługi podlegają zmianom. Dane techniczne podlegają zmianom bez uprzedzenia.**

## Tylko kraje WE

Nie wyrzucać elektronarzędzi wraz z odpadami z gospodarstw domowych. Zgodnie z dyrektywą 2012/19/WE dotyczącą zużytych urządzeń elektrycznych i elektronicznych oraz jej wdrożeniem do prawodawstwa krajowego, elektronarzędzia, które już nie nadają się do użytku, podlegają oddzielnej zbiórce oraz utylizacji w sposób przyjazny dla środowiska.

## GWARANCJA

Produkty FERM są wytwarzane zgodnie z najwyższymi standardami jakości i producent udziela gwarancji na wady materiałowe i wady wykonania na okres wymagany prawem, licząc od dnia zakupu. Jeśli wystąpi usterka produktu w tym okresie spowodowana wadą materiałową

# STRUNOVÁ SEKAČKA NA TRÁVU GTM1008

**Děkujeme vám za zakoupení tohoto výrobku značky FERM.**

Získáváte vynikající výrobek dodávaný jedním z předních evropských dodavatelů. Všechny výrobky dodávané společností Ferm jsou vyráběny v souladu s požadavky nejnáročnějších norem, pokud jde o funkčnost a bezpečnost. V rámci naší firemní filozofie poskytujeme také vynikající zákaznický servis, který je podporován naší komplexní zárukou. Doufáme, že vám náš výrobek bude dobře sloužit po mnoho následujících let.

## 1. BEZPEČNOSTNÍ POKYNY



**Přečtěte si přiložené bezpečnostní výstrahy, dodatečné bezpečnostní výstrahy a bezpečnostní pokyny.** Nebudete-li dodržovat tyto bezpečnostní výstrahy a pokyny, může dojít k úrazu elektrickým proudem, k vzniku požáru nebo k vážnému zranění. **Uschovejte tyto bezpečnostní výstrahy a pokyny pro budoucí použití.**

V tomto návodu k obsluze a na tomto výrobku jsou použity následující symboly:



*Přečtěte si návod k obsluze.*



*Upozorňuje na riziko zranění osob, ztráty života nebo poškození zařízení, nebudou-li dodržovány pokyny uvedené v tomto návodu.*



*Nebezpečí úrazu elektrickým proudem.*



*Riziko zranění odlétávajícími předměty. Zamezte přístupu nepovolaných osob do pracovního prostoru.*



*Používejte ochranné brýle a ochranu sluchu.*



*Nebezpečí – Udržujte ruce v dostatečné vzdálenosti od pohyblivých částí.*



*Dávejte pozor, aby odlétávající předměty neohrozily osoby nacházející se v blízkosti. Udržujte okolostojící osoby v bezpečné vzdálenosti od stroje.*



*Neuvystavujte dešti.*



*Hladina akustického výkonu*



*Maximální teplota 40 °C*



*Nevhazujte akumulátor do ohně.*



*Likvidujte akumulátor Li-Ion v tříděném odpadu.*



*Nevyhazujte tento výrobek do nevhodného kontejneru.*



*Výrobek je vyroben v souladu s platnými bezpečnostními normami, které jsou uvedeny ve směrnici EU.*

## OBCENÉ BEZPEČNOSTNÍ VÝSTRAHY



**VAROVÁNÍ! Přečtěte si všechny bezpečnostní výstrahy a všechny pokyny.** Nebudete-li dodržovat tyto bezpečnostní výstrahy a pokyny, může dojít k úrazu elektrickým proudem, ke vzniku požáru nebo k vážnému zranění. Pojem „elektrické nářadí“ v těchto varováních odkazuje na elektrické nářadí napájené z elektrické sítě (s napájecím kabelem) nebo z akumulátoru (bez napájecího kabelu).

**Uschovejte všechny bezpečnostní výstrahy a pokyny pro budoucí použití.**

Pojem „elektrické nářadí“ v těchto varováních odkazuje na elektrické nářadí napájené

z elektrické sítě (s napájecím kabelem) nebo z akumulátoru (bez napájecího kabelu).

## BEZPEČNOSTNÍ VAROVÁNÍ PRO AKUMULÁTORY

- a) **Akumulátor nerozebírejte.** Nebezpečí zkratu.
- b) **Chraňte akumulátor před teplem, například před nepřetržitým intenzivním slunečním světlem, ohněm, vodou a vlhkostí.** Nebezpečí výbuchu.
- c) **V případě poškození a nesprávného použití akumulátoru se mohou uvolňovat výpary. V případě potíží vyvětrejte místnost a vyhledejte lékařskou pomoc.** Výpary mohou dráždit dýchací ústrojí.
- d) **Používejte akumulátor výhradně s výrobkem značky FERM.** Toto opatření samo o sobě chrání akumulátor před nebezpečným přetížením.
- e) **Akumulátor může být poškozen ostrými předměty, jako například hřebíky nebo šroubováky, nebo vnější silou.** Může dojít k vnitřnímu zkratu a vznícení, vzniku kouře, výbuchu nebo přehřátí akumulátoru.

## BEZPEČNOSTNÍ VAROVÁNÍ PRO NABÍJEČKU

Použití kabelu USB, který je určen pro jiné typy akumulátorů, k nabíjení akumulátoru tohoto zařízení může způsobit roztržení akumulátoru s následným zraněním osob a vznikem věcných škod.

- a) **Toto zařízení není určeno k použití osobami (včetně dětí) se sníženými fyzickými, smyslovými nebo duševními schopnostmi, nebo s nedostatkem zkušeností a znalostí, pokud nejsou pod dozorem nebo nebyly poučeny o správném používání.**
- b) **Děti musí být pod dozorem, aby si s tímto zařízením nehrály.**
- c) **Nabíjejte pouze nabíjecí akumulátory, nikoli baterie, které k tomu nejsou určeny!**
- d) **Během nabíjení musí být akumulátory umístěny na dobře větraném místě!**

### Elektrická bezpečnost

- K nabíjení akumulátorových modulů nepoužívejte poškozený USB kabel.

### 1) Bezpečnost pracovního prostoru

- a) **Udržujte pracoviště uklizené a dobře osvětlené.** Neuklizená nebo tmavá místa přivolávají nehody.
- b) **Nepoužívejte elektrické nářadí ve výbušných prostředích, jako jsou místa s přítomností hořlavých kapalin, plynů nebo prachu.** V elektrickém nářadí dochází k jiskření, které může způsobit vznícení prachu nebo výparů.
- c) **Při práci s elektrickým nářadím zajistěte, aby se děti a okolostojící osoby zdržovaly v bezpečné vzdálenosti.** Rozptylování může způsobit ztrátu kontroly nad nářadím.

### 2) Elektrická bezpečnost

- a) **Zástrčka napájecího kabelu nářadí musí odpovídat zásuvce. Zástrčku nikdy žádným způsobem neupravujte. Nepoužívejte u uzemněného elektrického nářadí žádné adaptéry zástrček.** Neupravené zástrčky a odpovídající zásuvky snižují riziko úrazu elektrickým proudem.
- b) **Vyvarujte se kontaktu s uzemněnými povrchy, jako jsou potrubí, radiátory, trouby a ledničky.** Dojde-li k uzemnění vašeho těla, hrozí zvýšené riziko způsobení úrazu elektrickým proudem.
- c) **Nevystavujte elektrické nářadí dešti ani vlhkému prostředí.** Dostane-li se do elektrického nářadí voda, zvýší se riziko úrazu elektrickým proudem.
- d) **Nezacházejte špatně s napájecím kabelem. Nikdy nepoužívejte napájecí kabel pro přenašení nebo tahání tohoto elektrického nářadí a netahajte za tento kabel při vypořádání zástrčky ze zásuvky. Dbejte na to, aby tento kabel nepřecházel přes horké a mastné povrchy ani přes ostré hrany a aby se nedostal do kontaktu s pohyblivými se částmi.** Poškozené nebo zamotané kabely zvyšují riziko úrazu elektrickým proudem.
- e) **Používejte-li elektrické nářadí venku, použijte prodlužovací kabel vhodný pro venkovní použití.** Použití prodlužovacího kabelu pro venkovní použití snižuje riziko úrazu elektrickým proudem.
- f) **Musíte-li používat toto elektrické nářadí ve vlhkém prostředí, použijte v elektrickém obvodu proudový chránič (RCD).** Použití

proudového chrániče (RCD) snižuje riziko úrazu elektrickým proudem.

### 3) Bezpečnost osob

- a) **Při práci s tímto elektrickým nářadím buďte stále pozorní, sledujte, co provádíte, a používejte zdravý rozum. Nepoužívejte elektrické nářadí, jste-li unaveni nebo jste-li pod vlivem drog, alkoholu nebo léků.** Chvilková nepozornost při práci s elektrickým nářadím může způsobit velmi vážná zranění.
  - b) **Používejte osobní ochranné prostředky. Vždy používejte ochranu zraku.** Ochranné prostředky, jako jsou maska proti prachu, nekoulavá pracovní ochranná obuv, pevná přilba nebo chrániče sluchu, které jsou používány v příslušných podmínkách, zmenšují riziko způsobení zranění osob.
  - c) **Zabraňte náhodnému spuštění nářadí. Před připojením elektrického nářadí k napájecímu zdroji nebo před vložením akumulátoru do nářadí a také před zvednutím nářadí nebo před jeho přenášením se ujistěte, zda je vypínač na nářadí v poloze vypnuto.** Přenášení elektrického nářadí s prstem na vypínači nebo připojení elektrického nářadí ke zdroji elektrické energie, když je vypínač v poloze zapnuto, zvyšuje pravděpodobnost vzniku nehod.
  - d) **Před zapnutím elektrického nářadí vždy odstraňte všechny klíče a seřizovací přípravky.** Klíče nebo seřizovací přípravky ponechané na rotující části elektrického nářadí mohou způsobit zranění osob.
  - e) **Nepřeceňujte své síly. Vždy udržujte správný postoj a rovnováhu.** Tak si zachováte lepší kontrolu nad nářadím v neočekávaných situacích.
  - f) **Vhodně se oblékejte. Nenoste volný oděv nebo šperky. Udržujte vlasy, oblečení a rukavice v bezpečné vzdálenosti od všech pohyblivých částí.** Volný oděv, šperky nebo dlouhé vlasy mohou být zachyceny pohyblivými částmi.
  - g) **Jsou-li zařízení vybavena adaptérem pro připojení odsávacího systému, ujistěte se, zda je odsávací zařízení správně připojeno a zda správně plní svoji funkci.** Použití odsávání prachu může snížit rizika spojená s prací v prašném prostředí.
  - h) **Nedovoďte, aby jistota získaná častým používáním nářadí vedla ke snížení vaší pozornosti a ignorování zásad bezpečné práce s nářadím.** Chvilková nepozornost může během zlomku sekundy způsobit vážné zranění.
- 4) **Použití elektrického nářadí a jeho údržba**
    - a) **Nepřetěžujte elektrické nářadí. Používejte pro prováděnou práci správné elektrické nářadí.** Správné elektrické nářadí provede práci lépe a bezpečněji, je-li použito pro práce, pro které je určeno.
    - b) **Nepoužívejte elektrické nářadí, nepracuje-li správně jeho spouštěcí spínač.** Elektrické nářadí, které nelze ovládat pomocí spouštěcího spínače, je velmi nebezpečné a musí být opraveno.
    - c) **Před prováděním jakéhokoliv seřízení, před výměnou příslušenství nebo před uložením odpojte napájecí kabel nářadí od napájecího zdroje nebo z nářadí vyjměte akumulátor.** Tato preventivní bezpečnostní opatření snižují riziko náhodného spuštění elektrického nářadí.
    - d) **Uložte nepoužívané elektrické nářadí mimo dosah dětí a nedovoďte osobám, které nejsou obeznámeny s tímto nářadím nebo s těmito pokyny, aby toto elektrické nářadí používaly.** Elektrické nářadí je v rukách neproškolených osob nebezpečné.
    - e) **Provádějte údržbu elektrického nářadí. Zkontrolujte nevyrovnání nebo vážnutí pohyblivých částí, poškození součástí a jiné stavy, které by mohly mít vliv na správnou funkci nářadí. Je-li elektrické nářadí poškozeno, zajistěte jeho opravu dříve, než jej použijete.** Mnohé nehody bývají způsobeny nedostatečnou údržbou elektrického nářadí.
    - f) **Udržujte řezné nástroje ostré a čisté.** U správně udržovaných řezných nástrojů s ostrými řeznými břity je menší pravděpodobnost jejich zablokování a lépe se s nimi pracuje.
    - g) **Používejte elektrické nářadí, příslušenství, pracovní nástroje atd. v souladu s těmito pokyny a berte v úvahu pracovní podmínky a práci, která má být provedena.** Použití elektrického nářadí pro práce, pro které není určeno, může vést k nebezpečným situacím.



h) **Dbejte na to, aby byly rukojeti a úchopné povrchy suché, čisté a zbavené olejů a maziv.** Kluzké rukojeti a úchopné plochy neumožňují bezpečnou manipulaci a ovládání nářadí v neočekávaných situacích.

## 5) Servis

a) **Svěřte opravu svého elektrického nářadí pouze osobě s příslušnou kvalifikací, která bude používat výhradně originální náhradní díly.** Tím zajistíte bezpečný provoz tohoto elektrického nářadí.

### Další bezpečnostní pokyny pro strunové sekačky:

- Udržujte pracovní prostor čistý a uklizený.
- Nepracujte s touto sekačkou v dešti ani ve vlhkém prostředí, a to zejména v případech, kdy hrozí výskyt blesků.
- Pracujte pouze za denního světla nebo při kvalitním umělém osvětlení
- Nepoužívejte elektrické nářadí na místech, kde hrozí riziko požáru nebo výbuchu – například v blízkosti hořlavých kapalin nebo plynů. V elektrickém nářadí dochází k jiskření, které může způsobit vznícení prachu nebo výparů.
- Nikdy toto nářadí nepoužívejte, jste-li unavení, nemocní nebo pod vlivem alkoholu nebo drog.
- Vždy používejte dlouhé pracovní kalhoty, boty a rukavice. Nenoste volný oděv, šperky, krátké kalhoty, sandály a nikdy nechoďte bosí.
- Při práci s tímto nářadím používejte ochranu zraku a chrániče sluchu
- Nepřeceňujte své síly a zachovávejte rovnováhu, na svazích udržujte pevný postoj. Se strojem chodte pomalu, nikdy neběhejte.
- Nikdy nedovoľte používat stroj dětem, osobám se sníženými fyzickými, smyslovými nebo duševními schopnostmi nebo s nedostatkem zkušeností a znalostí, ani osobám, které nejsou obeznámeny s těmito pokyny. Místní předpisy mohou omezovat věk uživatele tohoto nářadí.
- Nikdy nepoužívejte tuto sekačku v blízkosti jiných osob, zejména dětí a domácích zvířat
- Nepřibližujte ruce nebo nohy do blízkosti sekacího systému.
- Nikdy na tuto sekačku nenasazujte kovové sekací nástroje.
- Pravidelně sekačku kontrolujte a provádějte její údržbu.

- Nikdy nepoužívejte tuto strunovou sekačku, schází-li jí ochranné kryty, jsou-li tyto kryty poškozeny nebo nejsou-li nasazeny na určených místech.
- Před použitím tohoto nářadí a po nárazu zkontrolujte, zda nedošlo k opotřebování nebo poškození a, je-li to nutné, zajistěte opravu
- Počkejte, dokud se struna úplně nezastaví, než se jí dotknete. Cívka se strunou pokračuje v otáčení ještě chvíli i po vypnutí sekačky. Rotující struna může způsobit zranění.
- Použití této sekačky ve vlhké trávě snižuje její výkon.
- Sekačku vždy vypněte, než ji začnete přenášet na jiné místo.
- Zapínejte motor pouze v případě, máte-li ruce a nohy v bezpečné vzdálenosti od sekacího zařízení.
- Svěřte opravu této sekačky výhradně autorizovanému servisu.
- Vždy se ujistěte, že nejsou zaneseny ani zablokovány větrací drážky
- Skladujte tento stroj na bezpečném a suchém místě mimo dosah dětí. Nepokládejte na tento stroj žádné předměty
- Nepoužívejte tento stroj bez řádně nasazené struny
- Na zařízení netlačte – nechejte jej pracovat jeho vlastní rychlostí.

Nikdy nenahrazujte nekovové sekací prostředky kovovými sekacími prostředky.

Nedotýkejte se nebezpečných pohyblivých částí, dokud není stroj odpojen od sítě a dokud se tyto části zcela nezastaví. Při obsluze stroje vždy noste pevnou obuv a dlouhé kalhoty. Odpojte napájení (např. vytáhněte zástrčku ze sítě nebo aktivujte odpojovací zařízení):

- 1) vždy, když stroj necháváte bez dozoru;
  - 2) než začnete odstraňovat ucpaní;
  - 3) před kontrolou, čištěním nebo jinou prací na stroji;
  - 4) po nárazu do cizího předmětu, za účelem kontroly poškození stroje;
  - 5) když začne výrobek neobvykle vibrovat, kvůli okamžité kontrole.
- Při používání nářadí musí být vždy nasazeny všechny kryty.

- Před zahájením práce zkontrolujte kabel, zda není poškozen, popřípadě ho vyměňte.
- Pravidelně sekačku kontrolujte a provádějte její údržbu. Opravu sekačky svěřte výhradně autorizovanému servisu.
- Po vysunutí nové struny nebo po výměně cívký se strunou. Před zapnutím vždy nastavte strunovou sekačku do její normální pracovní polohy.
- Pravidelně kontrolujte stav hlavy sekačky. Je-li cívka poškozena, vypněte nářadí, odpojte zástrčku napájecího kabelu od zásuvky a vyměňte cívku.
- Nepoužívejte tuto sekačku pro sekání trávy, která neroste na zemi. Nesekejte například trávu, která roste na stěnách nebo na kamenech.
- S běžící sekačkou na trávu nepřecházejte silnice ani štěrkové cesty.
- Používejte tento stroj pouze v souladu s pokyny uvedenými v tomto návodu.
- Nevysunujte strunu sekačky až za ochranný kryt a nepracujte se sekačkou bez správně nasazené struny a vysunutých obou konců struny.
- Pravidelně kontrolujte, že jsou řádně utaženy matice, šrouby a vruty.

### Zbytková nebezpečí

Přestože je elektrické nářadí používáno podle předepsaných pokynů, všechna zbytková rizika nemohou být vyloučena. V souvislosti s konstrukcí a designem elektrického nářadí se mohou objevit následující rizika:

- a) Zdravotní problémy způsobené vibracemi, je-li elektrické nářadí používáno dlouhodobě nebo není-li odpovídajícím způsobem ovládáno a není-li správně prováděna jeho údržba.
- b) Zranění a hmotné škody v důsledku poškození pracovního příslušenství, které je náhle odmrštěno.



**Varování!** Toto elektrické nářadí vytváří během použití elektromagnetické pole. Toto pole může za určitých okolností způsobit problémy, pokud jde o aktivní nebo pasivní lékařské implantáty. Chcete-li snížit riziko vážného nebo smrtelného úrazu, doporučujeme osobám s lékařskými implantáty, aby před použitím tohoto nářadí provedli

konzultaci se svým lékařem a s výrobcem zdravotního implantátu.

## 2. INFORMACE O VÝROBKU

### Zamýšlené použití

Tato sekačka na trávu je určena pro venkovní použití, a to k vyžínání a sečení trávy a trávniček v soukromých zahradách. Výrobek je určen k sečení trávy, slabého plevele a jiné podobné vegetace na úrovni země nebo nad ní. Sekačku byste neměli používat ke stříhání nebo zastříhování živých plotů, keřů ani jiné vegetace, když rovina řezu není na úrovni povrchu země. Sekačku nepoužívejte k drcení ani k výrobě kompostu.

### Technické specifikace

<b>Model č.</b>	<b>GTM1008</b>
Napájecí napětí:	12 V $\equiv$
Otáčky naprázdno:	9000 ot./min
Doporučený akumulátor:	CDA1192 12VDC – 1,5 Ah
Šířka záběru	220 mm
Systém sekání	Cívka s dvojitou strunou, systém Tap & Go Ø1,2 mm x 4 m
Hmotnost:	1,4 kg
Hladina akustického tlaku:	LPA: 71,3 dB(A) K = 3 dB(A)
Hladina akustického výkonu:	LWA 88,3 dB(A) K = 1,32 dB(A)
<b>Vibrate:</b>	
Zadní rukojeť	2,63 m/s <sup>2</sup>
Přední rukojeť	1,24 m/s <sup>2</sup> K = 1,5 m/s <sup>2</sup>

<b>Model č.</b>	<b>CDA1192</b>
Typ akumulátoru:	Lithium-iontový
Napájecí napětí:	12 V
Kapacita:	1,5 Ah
Doporučená nabíječka:	USB (5 V 1–2 A)
Hmotnost:	0,18 kg

Používejte pouze následující akumulátory z platformy AX-POWER 12 V. Použití jakýchkoliv jiných akumulátorů může způsobit vážné zranění nebo poškození nářadí. CDA1192 12 V, 1,5 Ah, lithium-iontový (v rozsahu dodávky)

Akumulátory řady AX-POWER 12V jsou vzájemně zaměnitelné při použití s veškerým akumulátorovým nářadím řady FERM AX-POWER 12V.

## Úroveň vibrací

Úroveň emisí vibrací uvedená v tomto návodu k obsluze byla měřena v souladu se standardizovaným testem uvedeným v normách EN 60335-1 a EN 50636-2-91. Může být použita k porovnání jednoho nářadí s jiným a jako předběžné posouzení působení vibrací při použití tohoto nářadí při výše uvedených aplikacích.

- použití tohoto nářadí pro jiné aplikace nebo s odlišným nebo špatně udržovaným příslušenstvím může značně zvýšit působení vibrací.
- doba, kdy je nářadí vypnuto nebo kdy je v chodu, ale aktuálně nevykonává žádnou práci, může působení vibrací značně zmírnit.

Chraňte se před působením vibrací prováděním řádné údržby tohoto nářadí i jeho příslušenství, udržujte ruce v teple a provádějte práci správným způsobem

## POPIS

Čísla v následujícím textu odkazují na obrázky na stranách 2-4.

1. Rukojeť s povrchem softgrip
2. Vypínač
3. Bezpečnostní spínač
4. Indikátor akumulátoru
5. Přední rukojeť
6. Hlavní plášť
7. Ochranný kryt
8. Ochranná tyč
9. Pouzdro cívky
10. Akumulátor
11. Šrouby pláště
12. Šroub ochranného krytu
13. Sestava cívky
14. Pružina
15. Pouzdro cívky
16. Tlačítka pro uvolnění akumulátoru
17. Nabíjecí kabel
18. Indikátor nabíjení

## 3. SESTAVENÍ



Před zahájením jakékoli práce na elektrickém nářadí vyjměte z tohoto nářadí akumulátor.



Před prvním použitím musí být akumulátor nabitý.

### Vyjmutí akumulátoru z nářadí (obr. D)

- Stiskněte uvolňovací tlačítka akumulátoru (16) a vytáhněte akumulátor z nářadí(1).

### Vložení akumulátoru do nářadí (obr. C)



Před vložení akumulátoru do nabíječky nebo do nářadí zkontrolujte, že je jeho povrch čistý a suchý.

- Zasuňte akumulátor (10) do základny nářadí (1).
- Zatlačte akumulátor úplně dopředu, dokud nezaklapne na své místo.

### Nabíjení akumulátoru (pomocí nabíječky) (obr. E)

- Zasuňte konektor USB-C nabíjecího kabelu (17) do akumulátoru (10).
- Zasuňte konektor USB-A nabíjecího kabelu do napájecího adaptéru USB (není obsažen v rozsahu dodávky). Alternativně lze jako zdroj napájení použít například powerbanku nebo přenosný počítač.
- Světelný indikátor (18) nabíječky se rozsvítí a bude udávat stav nabíjení.

### LED indikátor (7) obr. E

Akumulátor je vybaven 1 LED indikátorem (18), který indikuje stav procesu nabíjení:

LED	Stav nabíječky
Červená	Probíhající nabíjení akumulátoru
Zelená	Nabíjení akumulátoru dokončeno, je úplně nabitý

Po úplném nabití akumulátoru odpojte zástrčku nabíječky od zásuvky a poté odpojte nabíjecí kabel od akumulátoru.



Nebude-li nářadí používáno delší dobu, dohlédněte na to, aby akumulátor byl před uložením v nabitém stavu.



Před použitím vždy proveďte vizuální kontrolu, zda nejsou opotřebené ani poškozené nože, šrouby nožů i celý mechanismus drtiče.



*Varování! Nepoužívejte tuto strunovou sekačku bez ochranného krytu.*

### Montáž ochranného krytu (obr. C1)

- Nasadíte ochranný kryt (7) na hlavu stroje, jak ukazuje obrázek C1.
- Zajistíte tento kryt pomocí dodaného šroubu (12)
- Zasuňte chránič (8) do drážek základny (6).



*Nikdy se nepokoušejte tento kryt sejmut.*

### Montáž pláště (obr. B)

- Zasuňte přední rukojeť (5) do středního pláště (6).
- Zasuňte tři části hlavního pláště do sebe a zajistíte. Dbejte na vyrovnání otvorů pro šrouby.
- Namontujte šrouby pláště (11) do čtyř drážek a sestavte hlavní plášť (6).



*Před výměnou cívky očistěte toto nářadí od všech nečistot.*

### Výměna cívky (obr. C2)

- Vyjměte sestavu cívky (13), ale pružinu (14) nechejte uvnitř.
- Vezměte sestavu náhradní cívky a nasadíte ji na pružinu (14).
- Upevněte sestavu cívky tím, že ji pevně zašroubujete do pouzdra cívky.

- Tato strunová sekačka je určena k sekání trávy. Jakékoliv jiné použití, které není popsáno v tomto návodu, může mít za následek poškození této strunové sekačky nebo zranění uživatele.
- Ujistěte se, že v pracovním prostoru nenacházejí žádné kameny, nečistoty, vedení a jiné předměty.
- Zapněte nářadí dříve, než se přiblížíte k sekané trávě.
- Sekejte trávu plynulými pohyby ze strany na stranu; postupujte pomalu vpřed a udržujte sekačku nakloněnou směrem dopředu v úhlu asi 30 stupňů.
- Vysokou trávu musíte sekat postupně, vždy odshora. Nesekejte mokrou ani vlhkou trávu. Nepřetěžujte toto nářadí.

### Bezpečnostní prvky

- Ochranný kryt je opatřen nožem, který zkracuje strunu na správnou délku. Nedotýkejte se tohoto nože, abyste omezili riziko zranění.
- Před přepravou odpojte sekačku od zdroje napájení, aby nemohlo dojít k jejímu náhodnému zapnutí během přepravy.

### Zapnutí a vypnutí

- Chcete-li sekačku zapnout, stiskněte bezpečnostní spínač (3) a potom vypínač (2)
- Chcete-li sekačku vypnout uvolněte vypínač (2)

## 4. POUŽITÍ

### Použití systému Tap & Go (obr. C2)

- Je-li struna příliš krátká, zapněte nářadí a přitlačte konec sestavy cívky (13) na zem (tento úkon musíte provést na tvrdém povrchu).
- Tak dojde k vysunutí struny z cívky.
- Struna bude zkrácena na správnou délku automaticky pomocí nože, který je namontován na ochranném krytu (7).

### Použití strunové sekačky

- Z důvodu zajištění vaší bezpečnosti a pro dosažení nejlepších výsledků si přečtěte následující rady a nepoužívejte výrobek k ničemu jiného než k zamýšlenému účelu.

## 5. ÚDRŽBA



*Před zahájením provádění čištění a údržby vždy nářadí vypněte a vyjměte z něj akumulátor*

- Tyto stroje jsou navrženy tak, aby pracovaly dlouhou dobu s minimálními nároky na údržbu. Nepřetržitý uspokojivý provoz závisí na řádné péči o toto zařízení a na jeho pravidelném čištění.
- Před čištěním a uložením nářadí ho musíte vypnout a vyjmout akumulátor.
  - Toto nářadí nevyžaduje žádné dodatečné mazání.
  - Očistěte plášť a jeho další části jemným čisticím prostředkem a vlhkým hadříkem.

- Nikdy nepoužívejte agresivní čisticí prostředky ani rozpouštědla.
- Dávejte pozor, aby se do stroje nedostala voda.
- Nenechávejte sekačku stát příliš dlouho opřenou o podlahu; mohlo by dojít k deformaci jejího ochranného krytu, což by znamenalo bezpečnostní riziko. Nářadí skladujte pokud možno na plocho.

## Čištění

Pravidelně čistěte kryt nářadí pomocí měkké tkaniny, přednostně po každém použití. Ujistěte se, že nejsou větrací otvory zaneseny prachem ani jinými nečistotami. Odolnější nečistoty odstraňte pomocí měkkého hadříku navlhčeného v mýdlové pěně. Nepoužívejte žádná rozpouštědla, jako je benzín, líh, čpavek atd. Takové chemické látky mohou způsobit poškození dílů z umělé hmoty.

## PROSTŘEDÍ



*Symbol přeškrtnuté nádoby na odpad znamená, že tento výrobek nesmí být likvidován společně s běžným domovním odpadem. Elektronická a elektrická zařízení, která nejsou zahrnuta do procesu selektivního třídění, jsou kvůli přítomnosti nebezpečných látek v nich potenciálně nebezpečná pro životní prostředí a lidské zdraví. Odneste je do schváleného zařízení pro nakládání s odpady nebo recyklaci.*

## Pouze pro země EU

Nevyhazujte elektrická nářadí do běžného domácího odpadu. Podle evropské směrnice 2012/19/EC týkající se likvidace elektrických a elektronických zařízení a její implementace do vnitrostátního práva, musí být nepoužívaná elektrická nářadí shromažďována odděleně a jejich likvidace musí být provedena tak, aby nedošlo k ohrožení životního prostředí.

## ZÁRUKA

Výrobek FERM je vyvíjen v souladu s požadavky norem na nejvyšší kvalitu a je zaručeno, že po dobu platné záruky, která začíná běžet dnem

původního nákupu, nebudou na těchto výrobcích žádné vady materiálu, ani vady způsobené špatným dílenským zpracováním. Dojde-li během tohoto období k závadě v důsledku vady materiálu nebo dílenského zpracování, kontaktujte přímo prodejce FERM.

Z této záruky jsou vyloučeny následující případy:

- Opravy nebo úpravy tohoto zařízení byly provedeny nebo byly provedeny pokusy o jejich provedení v neautorizovaných servisech.
- Běžné opotřebování.
- Toto zařízení bylo nesprávně použito, nevhodně použito nebo nebyla prováděna jeho správná údržba.
- Byly použity neoriginální náhradní díly

Výše uvedené představuje jedinou záruku poskytovanou společností, ať už výslovnou nebo předpokládanou. Neexistují žádné další záruky, výslovné ani předpokládané, které přesahují rámec zde uvedeného, včetně předpokládaných záruk prodejnosti a vhodnosti pro určitý účel. Společnost FERM v žádném případě neodpovídá za jakékoli náhodné ani následné škody. Opravné prostředky prodejců se omezují výhradně na opravu nebo výměnu nevyhovujících jednotek nebo dílů.

**Na tomto výrobku a v tomto návodu mohou být prováděny změny. Specifikace mohou být měněny bez dalšího upozornění.**

## TAGLIABORDI GTM1008

### Grazie per avere acquistato questo prodotto Ferm.

Ora siete in possesso di un prodotto eccellente, offerto da uno dei principali fornitori europei. Tutti i prodotti Ferm sono realizzati nel rispetto dei più rigorosi standard prestazionali e di sicurezza. Nell'ambito della nostra filosofia aziendale offriamo anche un servizio di assistenza ai clienti eccellente, con il supporto dalla nostra garanzia completa. Ci auguriamo che possiate utilizzare con soddisfazione questo prodotto per molti anni.

## 1. ISTRUZIONI DI SICUREZZA



**Leggere le avvertenze di sicurezza allegate, le avvertenze di sicurezza aggiuntive e le istruzioni contenute in questo manuale.** Il mancato rispetto delle avvertenze di sicurezza e delle istruzioni potrebbe dar luogo a scosse elettriche, incendi e/o lesioni personali gravi. **Conservare le avvertenze di sicurezza e le istruzioni per riferimenti futuri.**

I simboli riportati di seguito vengono utilizzati all'interno del manuale d'uso oppure sono indicati sul prodotto:



Leggere il manuale d'uso.



Denota il rischio di lesioni personali, morte o danni all'elettrodomestico in caso di mancata osservanza delle istruzioni contenute in questo manuale.



Rischio di scosse elettriche.



Rischio di oggetti proiettati in aria. Tenere a distanza chiunque si trovi nelle vicinanze dall'area di lavoro.



Indossare occhiali di sicurezza a mascherina e protezioni per l'udito.



Pericolo – Tenere le mani lontano dalle parti mobili.



Prestare attenzione agli oggetti scagliati in aria che potrebbero colpire le persone presenti. Mantenere tali persone a distanza di sicurezza dall'elettrodomestico.



Non esporre alla pioggia.



Livello di potenza sonora



Temperatura max. 40°C



Non gettare la batteria nel fuoco.



Raccolta differenziata per la batteria agli ioni di litio.



Non smaltire il prodotto in contenitori non idonei.



Il prodotto è conforme alle norme di sicurezza applicabili ai sensi delle direttive europee vigenti.

## AVVERTENZE DI SICUREZZA GENERALI



**AVVERTENZA! Leggere tutte le avvertenze di sicurezza e tutte le istruzioni.** La mancata osservanza delle avvertenze e delle istruzioni può dar luogo a scosse elettriche, incendi e/o lesioni personali gravi. Il termine "elettrodomestico" che ricorre nelle avvertenze si riferisce a un utensile elettrico alimentato tramite la rete (con cavo) o a batteria (cordless).

### Conservare tutte le avvertenze e le istruzioni per riferimenti futuri.

Il termine "elettrodomestico" che ricorre nelle avvertenze si riferisce a un utensile elettrico alimentato tramite la rete (con cavo) o a batteria (cordless).

## AVVERTENZE DI SICUREZZA RIGUARDANTI LA BATTERIA

- a) **Non aprire la batteria.** Pericolo di cortocircuito.
- b) **Proteggere la batteria dal calore (ad esempio in caso di esposizione prolungata alla luce solare intensa), dal fuoco, dall'acqua e dall'umidità.** Pericolo di esplosione.
- c) **In caso di danni e uso improprio della batteria, potrebbero fuoriuscire dei vapori. Aerare l'ambiente e rivolgersi a un medico in caso di malessere.** I vapori possono irritare l'apparato respiratorio.
- d) **Utilizzare la batteria solo in combinazione con il proprio prodotto FERM.** Questo accorgimento protegge la batteria da un sovraccarico pericoloso.
- e) **La batteria può essere danneggiata da oggetti appuntiti, come chiodi o cacciaviti, o dall'eventuale applicazione di una forza dall'esterno.** Potrebbe verificarsi un cortocircuito interno e la batteria potrebbe bruciarsi, emettere fumo, esplodere o surriscaldarsi.

## AVVERTENZE DI SICUREZZA RIGUARDANTI IL CARICABATTERIE

Caricare con il cavo USB solo i pacchi batteria ricaricabili. Tipi diversi di batterie potrebbero scoppiare provocando lesioni personali e danni materiali.

- a) **Questo elettroutensile non deve essere usato da persone di qualsiasi età con capacità fisiche, sensoriali o mentali ridotte o prive di esperienza o conoscenza dell'elettroutensile, a meno che siano sorvegliate o siano state istruite sull'uso del prodotto.**
- b) **Accertarsi che i bambini non giochino con l'elettroutensile.**
- c) **Non ricaricare batterie non ricaricabili!**
- d) **Mentre il caricabatterie è in funzione sistemarlo in un luogo ben ventilato!**

### Sicurezza elettrica

- Non caricare pacchi batteria se il cavo è danneggiato.

- 1) **Sicurezza dell'area di lavoro**
  - a) **Mantenere l'area di lavoro pulita e ben illuminata.** Gli ambienti disordinati o scarsamente illuminati favoriscono gli incidenti.
  - b) **Evitare di usare gli elettroutensili in ambienti esposti al rischio di esplosione, come ad esempio in presenza di liquidi, gas o polveri infiammabili.** Gli elettroutensili generano scintille che possono incendiare polveri o fumi.
  - c) **Durante l'uso di un elettroutensile tenere a debita distanza bambini e altre persone presenti.** Le distrazioni possono causare la perdita di controllo.
- 2) **Sicurezza elettrica**
  - a) **La spina di un elettroutensile deve essere adatta alla presa di corrente. Non modificare la spina in alcun modo. Non utilizzare spine con adattatore per un elettroutensile dotato di messa a terra.** Per ridurre il rischio di scosse elettriche non manomettere le spine elettriche e utilizzare sempre prese di corrente appropriate.
  - b) **Evitare il contatto fisico con superfici collegate a terra, come tubi, radiatori, forni e frigoriferi.** Se il corpo dell'operatore è collegato a terra, il rischio di scosse elettriche aumenta.
  - c) **Non esporre gli elettroutensili alla pioggia o all'umidità.** Se dovesse penetrare dell'acqua all'interno dell'elettroutensile, il rischio di scosse elettriche aumenta.
  - d) **Non utilizzare il cavo di alimentazione in modo improprio. Non spostare, tirare o scollegare mai l'elettroutensile dalla presa di corrente tirandolo dal cavo. Tenere il cavo di alimentazione lontano da fonti di calore, olio, bordi taglienti o parti in movimento.** Se il cavo di alimentazione è danneggiato o impigliato il rischio di scosse elettriche aumenta.
  - e) **Quando l'elettroutensile viene usato all'aperto, utilizzare unicamente prolunghe omologate per l'impiego all'esterno.** L'uso di un cavo di alimentazione idoneo per esterni riduce il rischio di scosse elettriche.
  - f) **Se non è possibile evitare di utilizzare un elettroutensile in una zona umida, collegarsi a una rete elettrica protetta da un**

## **interruttore differenziale salvavita (RCD).**

L'uso di un RCD riduce il rischio di scosse elettriche.

### **3) Sicurezza personale**

- a) **Quando si utilizza un elettrodomestico evitare di distrarsi. È importante concentrarsi su quello che si sta facendo e usare il buon senso. Non utilizzare l'elettrodomestico quando si è stanchi o sotto l'effetto di sostanze stupefacenti, alcol o farmaci.** Un solo attimo di distrazione durante l'uso degli elettrodomestici potrebbe provocare gravi lesioni personali.
- b) **Indossare dispositivi di protezione individuale. Indossare sempre occhiali di sicurezza.** L'impiego di dispositivi di protezione individuale, quali mascherine antipolvere, calzature antinfortunistiche antiscivolo, elmetti di sicurezza o protezioni per l'udito, nelle condizioni opportune, consente di ridurre le lesioni personali.
- c) **Prevenire l'avvio accidentale. Accertarsi che l'interruttore di accensione/spengimento sia nella posizione di spegnimento, prima di collegare un elettrodomestico alla rete elettrica e/o alla batteria, di prenderlo in mano o di trasportarlo.** Per non esporsi al rischio di incidenti, non trasportare un elettrodomestico tenendo le dita sull'interruttore di accensione/spengimento e non collegarlo a una fonte di alimentazione elettrica con l'interruttore in posizione di accensione.
- d) **Prima di accendere l'elettrodomestico rimuovere eventuali chiavi o attrezzi di regolazione.** Un attrezzo di regolazione o una chiave inseriti in una parte rotante dell'elettrodomestico possono provocare lesioni personali.
- e) **Non sbilanciarsi. Mantenere sempre un appoggio e un equilibrio adeguati.** In tal modo è possibile mantenere un migliore controllo dell'elettrodomestico nelle situazioni impreviste.
- f) **Indossare indumenti adeguati. Non indossare abiti non aderenti al corpo o gioielli. Tenere i capelli, gli indumenti e i guanti lontano dalle parti mobili.** Abiti non aderenti al corpo, gioielli o capelli lunghi possono rimanere impigliati nelle parti in movimento.

- g) **Se gli elettrodomestici sono provvisti di attacchi per il collegamento di dispositivi di aspirazione o di raccolta delle polveri, assicurarsi che essi siano installati e utilizzati correttamente.** L'impiego di dispositivi di aspirazione delle polveri può ridurre i pericoli legati alle stesse.
  - h) **Non lasciare che la dimestichezza acquisita dall'uso frequente induca l'utilizzatore ad assumere comportamenti imprudenti e a ignorare i principi di sicurezza per l'elettrodomestico.** Una semplice distrazione può provocare gravi lesioni personali in una frazione di secondo.
- ### **4) Uso e cura dell'elettrodomestico**
- a) **Non forzare l'elettrodomestico. Utilizzare l'elettrodomestico corretto per il lavoro da svolgere.** L'elettrodomestico corretto funziona meglio e in modo più sicuro, se utilizzato alla velocità per cui è stato progettato.
  - b) **Non utilizzare l'elettrodomestico se il rispettivo interruttore di accensione/spengimento non funziona.** Qualsiasi elettrodomestico che non possa essere controllato tramite l'interruttore di accensione/spengimento è pericoloso e deve essere riparato.
  - c) **Scollegare la spina dalla presa di corrente e/o il pacco batteria dall'elettrodomestico prima di effettuare qualsiasi tipo di regolazione, cambiare gli accessori o ripararlo.** Queste misure di sicurezza preventive riducono il rischio di azionare accidentalmente l'elettrodomestico.
  - d) **Quando non vengono usati, gli elettrodomestici devono essere custoditi fuori dalla portata dei bambini. Non consentire l'uso dell'elettrodomestico a persone inesperte o che non abbiano letto questo manuale di istruzioni.** Gli elettrodomestici sono pericolosi in mano a persone inesperte.
  - e) **Sottoporre gli elettrodomestici a regolare manutenzione. Verificare che le parti mobili siano correttamente allineate e non inceppate, che non vi siano componenti rotti e che non sussistano altre condizioni che potrebbero compromettere il funzionamento dell'elettrodomestico. Se l'elettrodomestico è danneggiato farlo riparare prima dell'uso.** Molti incidenti sono provocati



da elettroutensili non sottoposti a una corretta manutenzione.

- f) **Mantenere affilati e puliti gli utensili da taglio.** La manutenzione corretta degli utensili da taglio con bordi affilati riduce le probabilità di inceppamento e ne facilita il controllo.
- g) **Utilizzare l'elettroutensile, gli accessori, le punte, ecc. in conformità a queste istruzioni, tenendo conto delle condizioni operative e del lavoro da eseguire.** L'utilizzo dell'elettroutensile per impieghi diversi da quelli previsti può dare luogo a situazioni di pericolo.
- h) **Mantenere le impugnature e le superfici di presa asciutte, pulite e libere da olio e grasso.** Impugnature e superfici di presa scivolose non consentono di maneggiare e controllare in sicurezza l'elettroutensile in situazioni impreviste.

## 5) Assistenza

- a) **L'assistenza per l'elettroutensile deve essere prestata da un tecnico qualificato che utilizzi soltanto ricambi originali.** In tal modo viene garantita la sua sicurezza.

### Istruzioni di sicurezza aggiuntive riguardanti il tagliabordi

- Mantenere l'area di lavoro pulita e ordinata.
- Evitare di utilizzare il tagliabordi in caso di pioggia o in ambienti umidi, in particolare quando vi è il rischio di fulmini.
- Usare il tagliabordi solo alla luce del giorno o in condizioni di buona illuminazione artificiale.
- Non utilizzare gli elettroutensili in ambienti in cui sussista il rischio di incendio o esplosione, come ad esempio in prossimità di liquidi o gas infiammabili. Gli elettroutensili generano scintille che potrebbero incendiare polveri o fumi.
- Non mettere mai in funzione il tagliabordi se si è stanchi, ammalati o sotto l'effetto di alcol, sostanze stupefacenti o farmaci.
- Indossare sempre pantaloni lunghi, stivali e guanti. Non indossare indumenti non aderenti, gioielli, pantaloncini o sandali e non lavorare mai a piedi nudi.
- Indossare dispositivi di protezione per l'udito e per gli occhi ogni volta che si utilizza il tagliabordi.
- Non sporgersi eccessivamente e mantenere sempre l'equilibrio, accertarsi sempre di avere un buon appoggio sui pendii e procedere camminando, senza mai correre.
- Non consentire in nessun caso di usare il tagliabordi a bambini e persone con capacità fisiche, sensoriali o mentali ridotte, prive di esperienza e conoscenza del prodotto o che non abbiano dimestichezza con queste istruzioni. Le normative vigenti a livello locale potrebbero imporre un limite di età per l'operatore.
- Non utilizzare mai il tagliabordi in presenza di persone (in particolare bambini) o animali domestici nelle vicinanze
- Non mettere mani o piedi vicino al sistema di taglio.
- Non montare mai elementi di taglio di metallo su questo tagliabordi.
- Ispezionare e sottoporre a manutenzione regolarmente il tagliabordi.
- Non utilizzare mai il tagliabordi con protezioni o schermi danneggiati o smontati.
- Prima di usare il tagliabordi e dopo un eventuale urto, controllare che esso non presenti segni di usura o danni e, se necessario, provvedere alla sua riparazione.
- Attendere l'arresto completo del filo nella bobina prima di toccarlo. Dopo lo spegnimento del tagliabordi, il filo nella bobina continua a girare, con la possibilità di provocare lesioni alle persone.
- L'impiego del tagliabordi per tagliare erba bagnata comporta una riduzione della sua efficienza prestazionale.
- Spegnerne il tagliabordi durante il trasporto da e verso l'area di lavoro.
- Accendere il motore solo se mani e piedi sono lontani dagli elementi di taglio.
- Fare riparare il tagliabordi solo da un tecnico dell'assistenza autorizzato.
- Accertarsi sempre che le feritoie di ventilazione siano pulite e libere da detriti
- Conservare il tagliabordi in un luogo asciutto e sicuro, lontano dalla portata dei bambini. Non appoggiarvi sopra altri oggetti
- Non azionare il tagliabordi se l'accessorio con il filo di taglio è smontato
- Non forzare il tagliabordi. Farlo funzionare alla velocità per cui è stato concepito.

Non sostituire mai i dispositivi di taglio non metallici con dispositivi di taglio metallici.

Non toccare parti pericolose in movimento prima che il tagliabordi sia stato scollegato dalla presa di corrente e che le parti pericolose in movimento si siano completamente arrestate. Durante l'uso del tagliabordi indossare sempre calzature robuste e pantaloni lunghi. Scollegare l'alimentazione (ossia staccare la spina dalla presa di corrente o rimuovere il dispositivo di disattivazione):

- 1) ogni volta che il tagliabordi viene lasciato incustodito;
  - 2) prima di eliminare un'ostruzione;
  - 3) prima di effettuare controlli, operazioni di pulizia o interventi sul tagliabordi;
  - 4) dopo avere colpito un corpo estraneo per verificare che il tagliabordi non presenti danni;
  - 5) se il tagliabordi inizia a vibrare in modo anomalo, per effettuare un controllo immediato.
- Quando si usa il tagliabordi controllare sempre che tutte le protezioni siano montate.
  - Prima di iniziare a lavorare, controllare se il cavo di alimentazione è danneggiato e sostituirlo se necessario.
  - Ispezionare e sottoporre a manutenzione regolarmente il tagliabordi. Fare riparare il tagliabordi solo da un tecnico autorizzato.
  - Dopo aver srotolato una nuova lunghezza di filo di taglio o sostituito il filo nella bobina, riportare sempre il tagliabordi nella posizione di funzionamento normale prima di accenderlo.
  - Ispezionare periodicamente la condizione della testa di taglio. Se la bobina è danneggiata, spegnere il tagliabordi, staccare la spina dalla presa di corrente e sostituire la bobina.
  - Non utilizzare il tagliabordi per tagliare l'erba il cui piano di taglio non si trovi a livello o vicino alla superficie del suolo, come l'erba cresciuta su rocce o muri.
  - Non attraversare strade o vialetti ghiaiosi con il tagliabordi in funzione.
  - Utilizzare il tagliabordi attenendosi alle istruzioni riportate in questo manuale.
  - Non fare scorrere il filo di taglio oltre la cuffia di protezione e non mettere in funzione il

tagliabordi se entrambi i fili non sono tirati e se non è installato il filo di taglio corretto.

- Verificare regolarmente che i dadi, i bulloni e le viti siano serrati a fondo.

### Rischi residui

Anche quando l'elettrotensile viene usato rispettando le indicazioni fornite non è possibile eliminare tutti i fattori di rischio residui.

Potrebbero insorgere i seguenti rischi associati alle caratteristiche strutturali e di configurazione dell'elettrotensile:

- a) problemi di salute derivanti dall'emissione di vibrazioni se l'elettrotensile viene usato per un periodo prolungato oppure se non è adeguatamente gestito e correttamente mantenuto;
- b) lesioni personali o danni materiali dovuti ad accessori rotti che si disintegrano.



**Avvertenza!** Quando questo elettrotensile è in funzione produce un campo elettromagnetico. In determinate circostanze, tale campo elettromagnetico potrebbe interferire con il funzionamento di impianti medici attivi o passivi. Per ridurre il rischio di incidenti gravi o mortali, raccomandiamo alle persone con impianti medici di consultare il proprio medico o il costruttore dell'impianto medicale prima di utilizzare questo elettrotensile.

## 2. INFORMAZIONI RELATIVE AL PRODOTTO

### Uso previsto

Questo tagliabordi è destinato all'uso all'aperto, per tagliare l'erba e il prato in giardini privati e per hobby. Il prodotto è concepito per tagliare l'erba, le erbacce leggere e altra vegetazione simile a livello o in prossimità del suolo. Non utilizzare il tagliabordi per tagliare o rifinire siepi, cespugli o altra vegetazione il cui piano di taglio non si trovi a livello o vicino alla superficie del suolo. Non utilizzare il tagliabordi per triturare l'erba o per la produzione di compost.

## Dati tecnici

<b>Codice modello</b>	<b>GTM1008</b>
Tensione:	12 V
Velocità a vuoto:	9.000 giri/min
Batteria consigliata:	CDA1192 12V DC - 1,5 Ah
Larghezza di taglio	220 mm
Sistema di taglio	Testa di taglio "Tap and go" con bobina a 2 fili Ø 1,2 mm x 4 m
Peso:	1,4 kg
Livello di pressione sonora:	$L_{pa}$ : 71,3 dB(A) K = 3 dB(A)
Livello di potenza sonora:	$L_{wa}$ : 88,3 dB(A), K = 1,32 dB(A)
<b>Vibrazioni</b>	
Impugnatura posteriore	2,63 m/s <sup>2</sup>
Impugnatura anteriore	1,24 m/s <sup>2</sup> K = 1,5 m/s <sup>2</sup>

<b>Codice modello</b>	<b>CDA1192</b>
Tipo di batteria:	Ioni di litio
Tensione:	12 V
Capacità:	1,5 Ah
Caricabatterie consigliato:	USB (5 V 1-2 A)
Peso:	0,18 kg

Utilizzare esclusivamente le batterie seguenti della piattaforma di batterie da 12 V AX-POWER. L'uso di batterie diverse potrebbe causare gravi lesioni personali o danni all'utensile. Batteria agli ioni di litio da 12 V, 1,5 Ah CDA1192 (in dotazione)

Le batterie della piattaforma di batterie da 12 V AX-POWER sono intercambiabili tra tutti gli elettrotensili che utilizzano batterie da 12 V di questa piattaforma di FERM

## Livello di emissione di vibrazioni

Il livello di emissione di vibrazioni indicato in questo manuale di istruzioni è stato misurato in base al test standardizzato previsto dalle normative EN 60335-1 ed EN 50636-2-91; il test può essere utilizzato per mettere a confronto vari apparecchi e come valutazione preliminare dell'esposizione alle vibrazioni quando si utilizza l'elettrotensile per le applicazioni menzionate.

- L'uso dell'elettrotensile per applicazioni o con accessori diversi o in condizioni di scarsa manutenzione potrebbe aumentare notevolmente il livello di esposizione alle vibrazioni.
- I momenti in cui l'elettrotensile è spento oppure è in funzione ma non viene effettivamente utilizzato per il lavoro, possono contribuire a ridurre il livello di esposizione.

Protegersi contro gli effetti delle vibrazioni sottoponendo l'elettrotensile e i relativi accessori a regolare manutenzione, cercare di mantenere calde le mani e organizzare opportunamente i turni di lavoro.

## DESCRIZIONE

I numeri che compaiono nel testo si riferiscono alle figure riportate alle pagine 2-4.

1. Impugnatura Soft grip
2. Interruttore di accensione/spegnimento
3. Interruttore di sicurezza
4. Indicatore di carica della batteria
5. Impugnatura anteriore
6. Corpo macchina
7. Cuffia di protezione
8. Barra di protezione
9. Alloggiamento bobina
10. Batteria
11. Viti di fissaggio alloggiamento
12. Vite di fissaggio cuffia di protezione
13. Bobina
14. Molla
15. Alloggiamento bobina
16. Pulsanti di sblocco batteria
17. Cavo del caricabatterie
18. Indicatore di carica

## 3. MONTAGGIO



*Prima di compiere qualsiasi intervento sull'elettrotensile rimuovere la batteria*



*Prima del primo utilizzo, la batteria deve essere caricata.*

### Rimozione della batteria dai tagliabordi (Fig. D)

- Premere i pulsanti di sblocco batteria (16) ed estrarre la batteria dall'impugnatura dei tagliabordi (1).

### Inserimento della batteria nell'elettrotensile (Fig. C)



*Assicurarsi che la batteria sia pulita all'esterno prima di collegarla al caricabatterie o all'elettrotensile.*

- Inserire la batteria (10) nell'impugnatura dei tagliabordi (1).

- Spingere avanti la batteria finché non scatterà in posizione.

### Carica della batteria (con il caricabatterie) (Fig. E)

- Collegare il connettore USB-C del cavo del caricabatterie (17) alla batteria (10).
- Collegare il connettore USB-A del cavo del caricabatterie a un adattatore di corrente USB (non in dotazione). In alternativa, è possibile utilizzare una powerbank o un computer portatile come fonte di alimentazione.
- La spia sul caricabatterie (18) si illuminerà e mostrerà lo stato di carica.

### Indicatore a LED (7) (Fig. E)

Sulla batteria è presente un indicatore a LED (18) che mostra lo stato del processo di carica:

LED	Stato di carica
Rosso	Carica in corso
Verde	Carica terminata. Batteria completamente carica

Una volta caricata completamente la batteria, scollegare la spina del caricabatterie dalla presa di corrente e staccare il cavo del caricabatterie dalla batteria.



*Se si prevede che l'elettrotensile non sarà usato per un periodo prolungato si consiglia di riporlo con la batteria carica.*



*Prima dell'uso, ispezionare sempre visivamente il tagliabordi, accertandosi che le lame, le viti di fissaggio delle lame e il gruppo di taglio non siano usurati o danneggiati.*



*Avvertenza! Non utilizzare il tagliabordi senza la cuffia di protezione montata.*

### Montaggio della cuffia di protezione (Fig. C1)

- Collocare la cuffia di protezione (7) sulla testa di taglio del tagliabordi, come illustrato nella Figura C1.
- Fissare la cuffia di protezione con la vite (12) in dotazione
- Inserire la cuffia di protezione (8) nelle scanalature presenti sul corpo macchina (6).



*Non tentare mai di rimuovere la cuffia di protezione.*

### Montaggio delle varie parti del corpo macchina (Fig. B)

- Inserire l'impugnatura anteriore (5) nella parte centrale del corpo macchina (6).
- Inserire le tre parti del corpo macchina una nell'altra rispettando gli incastri, assicurandosi che i fori per le viti combacino.
- Inserire le viti di fissaggio del corpo macchina (11) nelle quattro fessure e fissare il corpo macchina (6).



*Prima di sostituire la bobina, pulire il tagliabordi eliminando tutta la sporcizia.*

### Sostituzione della bobina (Fig. C2)

- Rimuovere la bobina (13) lasciando la molla (14) all'interno.
- Prendere la bobina di ricambio e posizionarla sopra la molla (14).
- Serrare la bobina ruotandola saldamente nel relativo alloggiamento.

## 4. USO

### Utilizzo del sistema "Tap and Go" (batti e vai) (Fig. C2)

- Se il filo di taglio è troppo corto, accendere il tagliabordi e battere con la punta della bobina (13) sul terreno (assicurarsi di farlo su una superficie dura).
- In questo modo il filo di taglio viene rilasciato, facendolo allungare.
- Il filo sarà tagliato alla lunghezza corretta in automatico tramite la lama fissata alla cuffia di protezione (7).

### Utilizzo del tagliabordi

- Per salvaguardare la propria sicurezza e per ottenere i migliori risultati, leggere la seguente avvertenza di utilizzo e non utilizzare questo prodotto per alcuno scopo al di fuori dell'uso previsto.
- Questo tagliabordi è stato realizzato per tagliare l'erba. Tutti gli altri utilizzi non specificatamente consentiti in questo manuale potrebbero causare lesioni personali all'operatore.

- Assicurarsi che l'area di lavoro sia libera da sassi, detriti, cavi e altri oggetti.
- Avviare il tagliabordi prima di avvicinarsi all'erba da tagliare.
- Tagliare l'erba facendo oscillare il tagliabordi da destra verso sinistra e procedere lentamente, tenendolo inclinato in avanti di circa 30 gradi.
- L'erba alta deve essere tagliata a strati partendo sempre dall'alto. Non tagliare l'erba umida o bagnata. Non sovraccaricare il tagliabordi.

### Caratteristiche di sicurezza

- La cuffia di protezione è provvista di una lama per recidere il filo di taglio alla lunghezza corretta. Non toccare la lama per ridurre la possibilità di subire lesioni.
- Scollegare il tagliabordi dalla presa di corrente quando lo si trasporta, per evitare di accenderlo accidentalmente.

### Accensione e spegnimento

- Per mettere in funzione il tagliabordi, premere l'interruttore di sicurezza (3) e successivamente l'interruttore di accensione/spegnimento (2).
- Per spegnerlo rilasciare l'interruttore di accensione/spegnimento (2).

## 5. MANUTENZIONE



*Prima di eseguire qualsiasi operazione di pulizia e intervento di manutenzione spegnere sempre l'elettrotensile e rimuovere il pacco batteria.*

L'elettrotensile è stato progettato per funzionare per un lungo periodo di tempo con una manutenzione minima. Il funzionamento continuo dell'elettrotensile dipende da una cura corretta e da una regolare pulizia della macchina.

- Prima di pulire e riporre l'elettrotensile, spegnerlo e scollegare la spina dalla presa di corrente.
- Questo elettrotensile non necessita di lubrificazione aggiuntiva.
- Pulire il corpo macchina e gli altri componenti con un detersivo non aggressivo e un panno umido.

- Non utilizzare mai prodotti per la pulizia aggressivi né solventi.
- Fare in modo di evitare che penetri dell'acqua all'interno della macchina.
- Non lasciare il tagliabordi appoggiato a terra per periodi prolungati, perché la cuffia di protezione potrebbe deformarsi, creando un rischio per la sicurezza. Se possibile, riporre l'elettrotensile in posizione orizzontale.

### Pulizia

Pulire regolarmente la parte esterna dell'elettrotensile con un panno morbido, preferibilmente dopo ogni utilizzo. Assicurarsi che le prese d'aria siano libere da polvere e sporcizia. Rimuovere lo sporco particolarmente ostinato con un panno morbido inumidito con acqua e sapone. Non utilizzare solventi come benzina, alcol, ammoniaca, ecc. Le sostanze chimiche di questo tipo danneggiano i componenti sintetici.

## PROTEZIONE DELL'AMBIENTE



*Il simbolo del cassonetto barrato riportato sull'apparecchiatura indica che questo prodotto non deve essere smaltito con i normali rifiuti domestici. I dispositivi elettronici ed elettrici non inclusi in un processo di riciclo sono potenzialmente pericolosi per l'ambiente e la salute umana a causa della presenza di sostanze pericolose. Si prega di smaltire l'apparecchiatura in modo responsabile presso centri idonei di raccolta differenziata o di consegnarla al rivenditore seguendo una delle seguenti modalità:*

- *nel caso di apparecchiature di piccolissime dimensioni (dimensioni esterne inferiori a 25 cm), consegna gratuita senza obbligo di acquisto nei negozi con superficie di vendita di apparecchiature elettriche ed elettroniche superiori ai 400 mq (modalità "uno contro zero"). Per i negozi con superficie inferiore tale modalità è facoltativa.*
- *nel caso di apparecchiature di dimensioni esterne superiori a 25 cm, consegna gratuita al rivenditore all'atto dell'acquisto di un prodotto equivalente (modalità "uno contro uno").*

## Solo per i Paesi CE

Non smaltire gli apparecchi elettrici insieme ai rifiuti domestici. Secondo la Direttiva europea 2012/19/UE sui rifiuti delle apparecchiature elettriche ed elettroniche e relativa implementazione nelle normative locali, gli elettrodomestici ormai inutilizzabili devono essere raccolti separatamente e smaltiti nel rispetto dell'ambiente.

## GARANZIA

I prodotti FERM sono sviluppati secondo gli standard di qualità più elevati e sono garantiti esenti da difetti sia per quanto riguarda i materiali che la lavorazione, per il periodo stabilito per legge a decorrere dalla data di acquisto iniziale. Se durante tale periodo il prodotto dovesse presentare dei difetti di materiali e/o di lavorazione, rivolgersi direttamente al proprio rivenditore FERM.

Le seguenti circostanze sono escluse dalla garanzia:

- esecuzione o tentativo di esecuzione di riparazioni o modifiche all'elettrodomestico da parte di personale di centri di assistenza non autorizzati;
- usura normale;
- maltrattamento, uso improprio o manutenzione inadeguata dell'elettrodomestico;
- impiego di ricambi non originali.

La presente costituisce l'unica garanzia espressa o implicita fornita dall'azienda. Non sono concesse altre garanzie, né espresse né implicite, oltre a quelle descritte in questo documento, comprese le garanzie implicite di commerciabilità e idoneità per uno scopo particolare. In nessun caso FERM sarà ritenuta responsabile di alcun danno incidentale o consequenziale. I rimedi offerti dai rivenditori si limiteranno alla riparazione o alla sostituzione delle unità o dei componenti non conformi.

**Il prodotto e il manuale d'uso sono soggetti a modifiche. I dati tecnici possono essere modificati senza ulteriore notifica.**

## KROVINOREZ GTM1008

### Ďakujeme vám, že ste si zakúpili produkt značky FERM.

Získali ste tým špičkový produkt od jedného z popredných európskych dodávateľov. Všetky produkty, ktoré vám boli dodané spoločnosťou Ferm, sa vyrábajú podľa najvyšších štandardov výkonu a bezpečnosti. V rámci našej podnikovej filozofie poskytujeme aj špičkové zákaznícke služby v kombinácii s komplexnou zárukou. Dúfame, že náš produkt vám bude dobre slúžiť ešte mnoho rokov.

## 1. BEZPEČNOSTNÉ POKYNY



**Prečítajte si priložené bezpečnostné varovania, doplnkové bezpečnostné varovania a pokyny.** Nedodržovanie bezpečnostných varovaní a pokynov môže mať za následok zásah elektrickým prúdom, vznik požiaru a/alebo vážnu ujmu na zdraví. **Všetky bezpečnostné varovania a pokyny si odložte na budúce použitie.**

V používateľskej príručke alebo priamo na produkte nájdete nasledujúce symboly:



*Prečítajte si používateľskú príručku.*



*Vypovedá o riziku ujmy na zdraví, usmrtenia a poškodenia zariadenia v prípade nedodržania pokynov v tejto príručke.*



*Riziko zásahu elektrickým prúdom.*



*Riziko odletujúcich predmetov. Zabezpečte, aby sa v pracovnej oblasti nenachádzali okoloidúci.*



*Používajte ochranné okuliare a ochranu sluchu.*



**Nebezpečenstvo – ruky udržujte v dostatočnej vzdialenosti od pohyblivých častí.**



**Dávajte pozor, aby odletujúce predmety nezasiahli iné osoby. Iné osoby udržujte v bezpečnej vzdialenosti od zariadenia.**



**Nevystavujte dažďu.**



**Hladina zvukového výkonu**



**Max. teplota 40 °C.**



**Batériu nevhadzujte do ohňa.**



**Separovaný zber pre lítium-iónovú batériu.**



**Produkt nelikvidujte v nevhodných nádobách.**



**Produkt je v súlade s platnými bezpečnostnými štandardmi obsiahnutými v európskych smerniciach.**

## VŠEOBECNÉ BEZPEČNOSTNÉ UPOZORNENIA



**VAROVANIE! Prečítajte si všetky bezpečnostné upozornenia a pokyny.** Nedodržiavanie upozornení a pokynov môže mať za následok zásah elektrickým prúdom, vznik požiaru a/alebo vážnu ujmu na zdraví. Pojem „elektrické náradie“ v texte upozornení označuje vaše elektrické náradie napájané z elektrickej siete (s pripojeným napájacím káblom) alebo z batérie (bezdrôtové).

**Všetky upozornenia a pokyny si odložte na budúce použitie.**

Pojem „elektrické náradie“ v texte upozornení označuje vaše elektrické náradie napájané

z elektrickej siete (s pripojeným napájacím káblom) alebo z batérie (bezdrôtové).

## BEZPEČNOSTNÉ VAROVANIA PRE BATÉRIU

- Batériu neotvárajte.** Nebezpečenstvo skratu.
- Batériu chráňte pred teplom, napr. pred nepretržitým intenzívnym slnečným svetlom, požiarom, vodou a vlhkosťou.** Nebezpečenstvo výbuchu.
- V prípade poškodenia a nevhodného používania batérie sa môžu vytvárať výpary.** V prípade problémov vyvetrajte oblasť a vyhľadajte zdravotnícku pomoc. Výpary môžu podráždiť dýchací systém.
- Batériu používajte výlučne v spojení s vaším produktom značky FERM.** Len toto samotné opatrenie chráni batériu pred nebezpečným preťažením.
- Batériu môžu poškodiť ostré objekty, ako napríklad kince alebo skrutkovače, prípadne externe vyvíjaná sila.** Môže vzniknúť vnútorný skrat a batéria môže zhorieť, dymiť, vybuchnúť alebo sa prehriať.

## BEZPEČNOSTNÉ VAROVANIA PRE NABÍJAČKU

Nabíjajte typy nabíjateľných akumulátorov pomocou kábla USB, iné typy batérií môžu prasknúť a spôsobiť zranenie osôb a poškodenie.

- Toto zariadenie nie je vhodné na použitie osobami (vrátane detí) so zníženými fyzickými, vnemovými alebo duševnými schopnosťami, prípadne nedostatkom skúseností a poznatkov, pokiaľ im nie je zabezpečený dohľad a poučenie inou osobou.**
- Na deti je potrebné dohliadať, aby sa nehrali so zariadením.**
- Nenabíjajte batérie, ktoré nie sú určené na opakované nabíjanie!**
- Počas nabíjania sa batérie musia umiestniť do riadne odvetrávanej oblasti!**

### Elektrická bezpečnosť

- Ak je poškodený kábel USB, nenabíjajte batérie.

### 1) Bezpečnosť pracovnej oblasti

- Pracovnú oblasť uchovávajte v čistote a zabezpečte riadne osvetlenie.** Zapratané

alebo neosvetlené oblasti sú častou príčinou úrazov.

- b) **Elektrické náradie nepoužívajte vo výbušných atmosférach, napr. v prípade prítomnosti horľavých kvapalín, plynov alebo prachu.** Elektrické náradie tvorí iskry, ktoré môžu spôsobiť vznietenie prachu alebo výparov.
- c) **Počas práce s elektrickým náradím držte deti a okolostojace osoby v dostatočnej vzdialenosti.** Rušiace elementy môžu spôsobiť stratu kontroly.

## 2) Elektrická bezpečnosť

- a) **Zástrčky elektrického náradia musia pasovať do zásuvky. Nikdy žiadnym spôsobom zástrčku neupravujte. Nikdy nepoužívajte žiadne redukčné zástrčky s uzemneným elektrickým náradím.** Neupravené zástrčky a vyhovujúce zásuvky znižujú riziko zásahu elektrickým prúdom.
- b) **Vyhýbajte sa telesnému kontaktu s uzemnenými povrchmi, ako sú potrubia, radiátory, sporáky a chladničky.** Ak je vaše telo uzemnené, hrozí zvýšené riziko zásahu elektrickým prúdom.
- c) **Elektrické náradie nevystavujte pôsobeniu dažďa ani ho neumiestňujte do vlhkých prostredí.** Voda vstupujúca do elektrického náradia zvýši riziko zásahu elektrickým prúdom.
- d) **S káblom nemanipulujte hrubo. Kábel nikdy nepoužívajte na prenášanie, vyťahovanie alebo odpájanie elektrického náradia zo siete. Kábel držte v dostatočnej vzdialenosti od tepelných zdrojov, oleja, ostrých hrách a pohyblivých súčastí.** Poškodené alebo zamotané káble zvyšujú riziko zásahu elektrickým prúdom.
- e) **Keď pracujete s elektrickým náradím vonku, používajte predlžovačku určenú na exteriérové použitie.** Používanie kábla určeného na exteriérové použitie znižuje riziko zásahu elektrickým prúdom.
- f) **Ak sa práci s elektrickým náradím vo vlhkých priestoroch nemôžete vyhnúť, používajte napájací zdroj so zariadením na ochranu pred zvyškovým prúdom (RCD).** Používanie RCD znižuje riziko zásahu elektrickým prúdom.

## 3) Osobná bezpečnosť

- a) **Budte ostražití, sústreďte sa na vykonávanú činnosť a pri používaní elektrického náradia používajte zdravý rozum.** Elektrické náradie nepoužívajte, keď ste unavení, pod vplyvom drog, alkoholu alebo liekov. Aj krátky okamih nepozornosti pri používaní elektrického náradia môže mať za následok vážnu ujmu na zdraví.
- b) **Používajte osobné ochranné prostriedky. Vždy majte nasadenú ochranu zraku.** Ochranné prostriedky (napr. protiprachová maska, protišmyková obuv, pevná pokrývka hlavy alebo ochrana sluchu) vhodné na príslušné podmienky znížia riziko ujmy na zdraví.
- c) **Zabráňte možnosti neúmyselného spustenia. Pred pripojením náradia k napájaciemu zdroju alebo vložení akumulátorovej batérie, prípadne zdvíhaním a prenášaním náradia, sa uistite, že vypínač je vo vypnutej polohe.** Prenášanie elektrického náradia s prstom na vypínači alebo privádzanie energie do elektrického náradia so zapnutým vypínačom môže byť príčinou úrazu.
- d) **Pred zapnutím elektrického náradia odstráňte nastavovací kľúč.** Kľúč ponechaný pripojený k rotačnému dielu elektrického náradia môže spôsobiť ujmu na zdraví.
- e) **Nadmerne sa nenačahujte. Neustále zachovávajte pevný postoj a udržiavajte rovnováhu.** V neočakávaných situáciách vám to zabezpečí lepšiu kontrolu nad elektrickým náradím.
- f) **Správne sa oblečte. Nemajte oblečené voľné odevy ani bižutériu. Vlasy, odev a rukavice držte v dostatočnej vzdialenosti od pohybujúcich sa dielov.** Voľné odevy, bižutéria a dlhé vlasy sa môžu zachytiť do pohybujúcich sa dielov.
- g) **Ak sú na pripojenie prostriedkov na extrakciu a zachytávanie prachu zabezpečené príslušné zariadenia, uistite sa, že sú správne pripojené a používajú sa náležitým spôsobom.** Zachytávanie prachu prispieva k zníženiu rizík spojených s prašnosťou prostredia.
- h) **Nedovoľte, aby vám skúsenosti získané z častého používania náradia dodali sebavedomie a začali ste ignorovať princípy bezpečnosti náradia.** Neopatrná činnosť



môže spôsobiť vážne zranenie v rámci zlomku sekundy.

#### 4) Používanie elektrického náradia a náležitá starostlivosť

- a) **Elektrické náradie nepoužívajte nadmernou silou. Na každé použitie zvolte náležité elektrické náradie.** Vhodné elektrické náradie vykoná prácu lepšie a bezpečnejšie pri intenzite činnosti, pre ktorú bolo navrhnuté.
- b) **Elektrické náradie nepoužívajte, ak ho nemožno zapnúť a vypnúť pomocou vypínača.** Každé elektrické náradie, ktoré nemožno ovládať vypínačom, predstavuje hrozbu a musí sa opraviť.
- c) **Pred uskutočnením akýchkoľvek zmien, výmenou príslušenstva alebo uskladnením odpojte zástrčku od napájacieho zdroja a/alebo vyberte akumulátorovú batériu.** Takéto preventívne bezpečnostné opatrenia znižujú riziko neúmyselného uvedenia elektrického náradia do prevádzky.
- d) **Nepoužívané elektrické náradie držte mimo dosahu detí a nedovoľte osobám bez skúseností s jeho používaním a znalosti týchto pokynov používať toto elektrické náradie.** Elektrické náradie je v rukách nezaškolených používateľov hrozbou.
- e) **Zabezpečte vhodnú údržbu elektrického náradia. Skontrolujte, či pohyblivé diely nie sú nesprávne zarovnané alebo nezapierajú, či niektoré súčasti nie sú zlomené, prípadne či nespozorujete ďalšie problémové javy, ktoré môžu mať vplyv na obsluhu elektrického náradia. V prípade poškodenia si pred použitím nechajte elektrické náradie opraviť.** Príčinou mnohých nehôd je elektrické náradie v nevhodnom technickom stave.
- f) **Rezné náradie uchovávajte ostré a čisté.** Rezné náradie v náležitom technickom stave s ostrými reznými hranami vykazuje nižšie riziko zaseknutia a ľahšie sa s ním pracuje.
- g) **Elektrické náradie, príslušenstvo a nadstavce atď. používajte v súlade so znením týchto pokynov a berte ohľad na pracovné podmienky a povahu vykonávaných prác.** Používanie elektrického náradia na iné účely ako sú tie, na ktorých výkon bolo navrhnuté, môže používateľa vystaviť nebezpečným situáciám.

- h) **Rukoväti a úchytné povrchy uchovajte suché, čisté a bez olejov a mazadiel.** Šmykľavé rukoväti a úchytné povrchy neumožňujú v neočakávaných situáciách bezpečnú manipuláciu a kontrolu nad náradím.

#### 5) Servis

- a) **Svoje elektrické náradie si nechávajte opravovať len u kvalifikovaného opravára s použitím identických náhradných dielov.** Tým zaručíte zachovanie bezpečnosti elektrického náradia.

#### Dodatočné bezpečnostné pokyny pre krovinozez:

- Pracovný priestor udržiavajte čistý a uprataný.
- Vyhýbajte sa použitiu krovinozezu v daždi alebo vo vlhkých prostrediach, a to hlavne v prípade, ak hrozí nebezpečenstvo blesku.
- Pracujte len pri dennom svetle alebo v dobrom umelom svetle
- Elektrické náradie nepoužívajte na miestach s rizikom požiaru alebo explózie, ako napr. v blízkosti horľavých kvapalín alebo plynov. Výkonové nástroje tvoria iskry, ktoré môžu spôsobiť vznietenie prachu alebo výparov.
- Produkt nikdy nepoužívajte, ak ste unavení, chorí alebo pod vplyvom alkoholu, drog alebo lieku.
- Vždy noste dlhé, pevné nohavice, topánky a rukavice. Nenoste voľné oblečenie, šperky, krátke nohavice, sandále a nikdy nepracujte naboso.
- Počas prevádzky zariadenia používajte ochranné okuliare a chrániče sluchu
- Nadmerne sa nenačahujte a vždy udržiavajte rovnováhu, na svahoch vždy zachovávajúce pevný postoj a pohybujte sa chôdzou, nikdy behom.
- Zariadenie nikdy nedovoľte používať deťom, osobám so zníženými fyzickými, zmyslovými alebo duševnými schopnosťami, prípadne nedostatočnými skúsenosťami a znalosťami, ako ani osobám, ktoré nie sú oboznámené s touto používateľskou príručkou. Miestne predpisy môžu obmedzovať vek obsluhy.
- Tento krovinozez nikdy nepoužívajte, keď sa v blízkosti nachádzajú ľudia, obzvlášť deti, prípadne domáci miláčikovia
- Nedávajte ruky ani nohy do blízkosti kosiaceho systému.

- K tomuto krovínorezu nikdy nepripevňujte kovové kosiace prvky.
  - Krovínorez pravidelne kontrolujte a vykonávajte jeho údržbu.
  - Krovínorez nikdy nepoužívajte s chýbajúcimi alebo poškodenými ochrannými krytmi alebo štítmí, prípadne bez ochranných krytov alebo štítov na svojom mieste.
  - Pred použitím zariadenia a po náraze skontrolujte, či zariadenie nie je opotrebované alebo poškodené a v prípade potreby vykonajte opravu
  - Pred tým, než sa dotknete lanka cievky, počkajte, kým sa úplne zastaví. Lanko cievky sa po vypnutí vyžinača naďalej otáča, rotujúce lanko môže spôsobiť zranenie.
  - Používanie krovínorezu na mokrú trávu znižuje účinnosť výkonu.
  - Krovínorez vypnite, ak ho prenášate do alebo z oblasti, v ktorej sa má pracovať.
  - Motor zapnite len vtedy, keď sú ruky a nohy v dostatočnej vzdialenosti od kosiach prvkov.
  - Krovínorez nechajte opraviť iba zástupcom oprávneného zákaznického servisu.
  - Vždy sa uistite, že sa vo vetracích otvoroch nenachádza odpad
  - Zariadenie uchovávajte na bezpečnom, suchom mieste, mimo dosahu detí. Na hornú časť zariadenia nedávajte iné predmety
  - Zariadenie nepoužívajte bez pripevneného upevnenia lanka
  - Na zariadenie netlačte – nechajte ho pracovať rýchlosťou, na ktorú bolo navrhnuté.
- 4) po náraze do cudzieho predmetu, aby ste skontrolovali poškodenie zariadenia;
  - 5) ak zariadenie začne abnormálne vibrovať, aby ste ho okamžite skontrolovali.
- Pri používaní náradia sa vždy uistite, že sú nasadené ochranné kryty.
  - Pred začatím práce skontrolujte, či kábel nie je poškodený. V prípade potreby kábel vymeňte.
  - Krovínorez pravidelne kontrolujte a vykonávajte jeho údržbu. Krovínorez nechávajte opraviť len v autorizovanom servise.
  - Po natihnutí nového sekacieho lanka alebo výmeny lanka v cievke. Krovínorez pred zapnutím vždy vráťte do bežnej prevádzkovej polohy.
  - Pravidelne kontrolujte stav rezacej hlavy. Ak je cievka poškodená, zariadenie vypnite, odpojte zástrčku zo sieťovej zásuvky a vymeňte cievku.
  - Zariadenie nepoužívajte na rezanie trávy, ktorá sa nenachádza na zemi. Napríklad nesekejte trávu, ktorá sa nachádza na stenách alebo kameňoch.
  - So spusteným zariadením neprechádzajte cez cesty alebo štrkové povrchy.
  - Zariadenie používajte len v súlade s pokynmi uvedenými v tejto príručke.
  - Sekacie lanká nevyťahujte za ochranný prvok a krovínorez nepoužívajte bez toho, aby boli obidve lanká vytiahnuté a aby bolo nainštalované správne lanko.
  - Pravidelne kontrolujte, či sú utiahnuté matice, skrutky bez hlavy a skrutky.

Nikdy nenahrádzajte nekovové kosiace prvky kovovými kosiacími prvkami.

Nedotýkajte sa pohyblivých nebezpečných častí skôr, ako sa zariadenie odpojí od elektrickej siete a pohyblivé nebezpečné časti sa úplne zastavia. Pri práci so zariadením vždy noste pevnú obuv a dlhé nohavice. Odpojte napájanie (napr. vytiahnite zástrčku zo siete alebo odstráňte blokovacie zariadenie):

- 1) vždy, keď používateľ opustí zariadenie;
- 2) pred odstránením upchatia;
- 3) pred kontrolou, čistením alebo prácou na zariadení;

### Reziduálne riziká

Ani v prípade, ak sa elektrické náradie používa podľa pokynov, nie je možné eliminovať všetky zvyškové rizikové faktory. Nasledujúce nebezpečenstvá môžu vyvstať vzhľadom na konštrukciu a dizajn elektrického náradia:

- a) Zdravotné defekty vyvstávajúce z vibračných emisií elektrického náradia hrozia v prípade, ak sa náradie používa počas dlhých časových období alebo sa správne nespavuje a nepodrobuje údržbe.
- b) Zranenia a škody na majetku môžu byť spôsobené vymrštenými kusmi zlomeného príslušenstva.



**Varovanie!** Toto elektrické náradie počas prevádzky vytvára elektromagnetické pole. Toto pole môže za istých okolností rušiť aktívne alebo pasívne lekárske implantáty. V záujme zníženia rizika vážnych a smrteľných zranení odporúčame sa osobám s lekáskymi implantátmi pred zahájením používania náradia poradiť s ošetrujúcim lekárom.

zranenie alebo poškodenie nástroja. CDA1192 12 V, 1,5 Ah lítium-iónová (súčasť balenia)

Batérie platformy batérií AX-POWER 12 V sú vzájomne zameniteľné so všetkými nástrojmi s platformou batérií FERM AX-POWER 12 V

### Hladina vibrácií

Hladina vibračných emisií uvádzaná v tejto používateľskej príručke bola nameraná podľa štandardizovaného testu definovaného v norme EN 60335-1 a EN 50636-2-91; môže sa použiť na porovnanie jedného náradia s druhým a ako predbežné hodnotenie vibrácií pri používaní náradia na uvádzané účely.

- Používanie náradia na rôzne účely alebo s rôznym či nevhodne udržiavaným príslušenstvom môže výrazne zvýšiť hladinu expozície.
- Obdobia, keď je náradie vypnuté alebo sa prevádzkuje na voľnobeh (bez pracovného úkonu), môžu výrazne znížiť hladinu expozície.

Pred účinkami vibrácií sa chráňte údržbou náradia a príslušenstva, udržiavaním rúk v teple a vhodnou organizáciou pracovných postupov

## 2. INFORMÁCIE O VÝROBKU

### Cieľové použitie

Tento krovinores je určený na vonkajšie použitie, na zastrihávanie a kosenie trávy a trávnikov v súkromných a rekreačných záhradách. Výrobok je určený na kosenie trávy, ľahkej buriny a inej podobnej vegetácie na úrovni zeme alebo blízko nej. Krovinores sa nesmie používať na strihanie alebo zastrihávanie živých plotov, kríkov alebo inej vegetácie, kde rovina rezu nie je na úrovni alebo približne na úrovni povrchu zeme. Krovinores nepoužívajte na drvenie ani na výrobu kompostu.

### Technické špecifikácie

<b>Č. modelu.</b>	<b>GTM1008</b>
Napätie:	12 V $\equiv$
Voľnobežné otáčky:	9 000/min
Odporúčaná batéria:	CDA1192 12 V, jednosmerný prúd – 1,5 Ah
Šírka kosenia	220 mm
Systém kosenia	cievka s 2 lankami, systém Tap and go, $\emptyset$ 1,2 mm x 4 m
Hmotnosť:	1,4 kg
Hladina akustického tlaku:	LPA: 71,3 dB(A) K = 3 dB(A)
Úroveň akustického výkonu:	LWA: 88,3 dB(A) K = 1,32 dB(A)

### Vibrácie:

Zadná rukoväť	2,63 m/s <sup>2</sup>
Predná rukoväť	1,24 m/s <sup>2</sup> K = 1,5 m/s <sup>2</sup>

<b>Č. modelu</b>	<b>CDA1192</b>
Typ batérie:	Lítium-iónová
Napätie:	12 V
Kapacita:	1,5 Ah
Odporúčaná nabíjačka:	USB (5 V 1 – 2 A)
Hmotnosť:	0,18 kg

Používajte len nasledujúce batérie z priemyselnej platformy batérií AX-POWER 12 V. Používanie akýchkoľvek iných batérií môže spôsobiť vážne

### POPIS

Čísla uvedené v texte sa odvolávajú na obrázky na stranách 2 – 4.

1. Rukoväť s mäkkým úchopom
2. Hlavný vypínač
3. Bezpečnostný spínač
4. Indikátor batérie
5. Predná rukoväť
6. Hlavný kryt
7. Ochranný kryt
8. Ochranná lišta
9. Teleso cievky
10. Batéria
11. Skrutky plášťa
12. Ochranná skrutka
13. Zostava cievky
14. Pružina
15. Teleso cievky
16. Tlačidlá uvoľnenia batérie
17. Nabíjací kábel
18. Indikátor nabíjania

### 3. MONTÁŽ



*Pred akoukoľvek prácou na náradí vyberte batériu.*



*Batéria sa pred prvým použitím musí nabiť.*

#### Vybratie batérie zo zariadenia (obr. D)

- Stlačte tlačidlá uvoľnenia batérie (16) a vytiahnite batériu zo zariadenia (1).

#### Vloženie batérie do zariadenia (obr. C)



*Pred pripojením k nabíjačke alebo vložení do zariadenia skontrolujte, či je vonkajší povrch batérie čistý a suchý.*

- Batériu (10) vložte do základne zariadenia (1).
- Batériu tlačte ďalej dopredu, kým nezapadne na miesto.

#### Nabíjanie batérie pomocou nabíjačky (obr. E)

- Zapojte konektor USB-C nabíjacieho kábla (17) k batérii (10).
- Konektor USB-A nabíjacieho kábla pripojte k napájaciemu adaptéru USB (nie je súčasťou dodávky). Ako zdroj energie je možné prípadne použiť napríklad powerbanku alebo notebook.
- Kontrolka nabíjačky (18) sa rozsvieti a zobrazí stav nabíjania.

#### LED indikátor (7) Obr. E

Batéria je vybavená 1 LED indikátorom (18), ktorý označuje stav nabíjania:

LED	Stav nabíjačky
Červená	Prebieha nabíjanie batérie
Zelená	Nabíjanie batérie dokončené, batéria je plne nabitá

Keď batériu úplne nabijete, odpojte konektor nabíjačky zo zásuvky a nabíjací kábel odpojte od zariadenia.



*Keď sa zariadenie dlhší čas nebude používať, najlepšie je batériu uskladniť v nabitom stave.*



*Pred použitím vždy vizuálne skontrolujte, že ostria, skrutky ostria a rezacia sústava nie sú opotrebované alebo poškodené.*



*Varovanie! Nepoužívajte krovinorez bez ochranného krytu.*

#### Montáž ochranného krytu (obr. C1)

- Ochranný kryt (7) nasadíte na hlavu zariadenia tak, ako je znázornené na obrázku C1.
- Zaistíte kryt pomocou dodanej skrutky (12).
- Vložte ochranu (8) do otvorov na základni (6).



*Kryt sa nikdy nepokúšajte odstrániť.*

#### Montáž krytov (obr. B)

- Vložte prednú rukoväť (5) do stredného krytu (6).
- Vložte do seba tri hlavné časti krytu tak, aby bezpečne zapadli. Uistite sa, že otvory pre skrutky sú zarovnané.
- Skrutky krytu (11) upevnite do štyroch otvorov tak, aby ste zmontovali hlavný kryt (6).



*Pred výmenou cievky očistite zariadenie od nečistôt.*

#### Výmena cievky (obr. C2)

- Vyberte montážny prvok cievky (13), ale pružinu (14) nechajte vo vnútri.
- Vezmite náhradnú zostavu cievky a umiestnite ju nad pružinu (14).
- Uťahnite montážny prvok cievky tak, že cievku pevne natočíte do puzdra cievky.

### 4. OBSLUHA

#### Používanie systému tap and go (obr. C2)

- Ak je lanko príliš krátke, zapnite zariadenie a na zemi stlačte hrot zostavy cievky (13) (uistite sa, že to vykonávate na tvrdom povrchu).
- Takto uvoľníte lanko, aby sa mohlo predĺžiť.
- Lanko sa automaticky odreže na správnu dĺžku pomocou noža, ktorý je namontovaný na ochrannom kryte (7).

#### Používanie krovinorezu

- Z dôvodu zaistenia vašej bezpečnosti a najlepších výsledkov si prečítajte nasledujúce používateľské pokyny a nepoužívajte produkt inak ako určeným spôsobom.
- Tento krovinorez je určený na kosenie trávy. Akékoľvek použitie, ktoré nie je uvedené

v tomto návode, môže spôsobiť poškodenie krovinoresu alebo zranenie používateľa.

- Uistite sa, že sa v pracovnej oblasti nenachádzajú kamene, sutiny, rozvody alebo iné objekty.
- Zariadenie spustíte pred prístupom k tráve na rezanie.
- Sekajte trávu kolísaním so zariadením sprava doľava a pomaly postupujte, pričom držte sklon krovinoresu smerom dopredu pod uhlom približne 30 stupňov.
- Vysoká tráva by sa mala sekať vo vrstvách, pričom vždy začinite zhora. Nesekejte vlhkú alebo mokrú trávu. Nepreťažujte náradie.

### Bezpečnostné funkcie

- Ochranný kryt obsahuje nôž na odrezanie lanka na správnu dĺžku. Nedotýkajte sa noža, aby ste znížili riziko zranenia používateľa.
- Krovinores odpojte od zdroju napájania, keď ho prepravujete, aby ste predišli náhodnému zapnutiu zariadenia počas prepravy.

### Zapnutie a vypnutie

- Ak chcete krovinores zapnúť, stlačte bezpečnostný spínač (3) a potom stlačte spínač zap./vyp. (2).
- Ak chcete krovinores vypnúť, uvoľníte spínač zap./vyp. (2)

## 5. ÚDRŽBA



*Pred čistením a údržbou vždy vypnite zariadenie a zo zariadenia vyberte akumulátor.*

Zariadenia boli navrhnuté tak, aby fungovali dlhý čas s minimálnymi nárokmi na údržbu. Nepretržitá uspokojivá prevádzka závisí od správnej údržby a pravidelného čistenia zariadenia.

- Pred čistením a uskladnením zariadenia vypnite napájanie a vyberte batériu.
- Zariadenie nevyžaduje žiadne dodatočné mazanie.
- Plášť zariadenia a ďalšie časti očistite jemným čistiacim prostriedkom a vlhkou handričkou.
- Nikdy nepoužívajte agresívne čistiace prostriedky alebo rozpúšťadlá.
- Zabráňte vniknutiu vody do zariadenia.

- Krovinores nenechávajte položený na zemi počas dlhého časového obdobia, pretože by to mohlo pozmeniť tvar ochranného prvku, čo by predstavovalo bezpečnostné riziko. Ak je to možné, zariadenie skladujte v rovnej polohe.

### Čistenie

Puzdro zariadenia vyčistite jemnou tkaninou, podľa možnosti po každom použití. Uistite sa, že vetracie otvory neobsahujú prach a nečistoty. Odolné nečistoty odstráňte jemnou tkaninou navlhčenou v mydlovej vode. Nepoužívajte rozpúšťadlá ako benzín, alkohol, amoniak a pod. Takéto chemické látky poškodia syntetické komponenty.

## ŽIVOTNÉ PROSTREDIE



*Symbol preškrtnutej nádoby na odpad znamená, že tento výrobok sa nesmie likvidovať s bežným komunálnym odpadom. Elektronické a elektrické zariadenia, ktoré nebudú likvidované procesom selektívneho triedenia, predstavujú z dôvodu prítomnosti nebezpečných látok potenciálne nebezpečenstvo pre životné prostredie a ľudské zdravie. Zlikvidujte ich zodpovedne cez schválené zariadenia na uloženie alebo recykláciu odpadu.*

### Len pre krajiny ES

Elektrické náradie nelikvidujte ako súčasť komunálneho odpadu. Podľa Európskej smernice 2012/19/ES o vyradených elektrických a elektronických zariadeniach a jej implementácii do národného práva sa elektrické náradie, ktoré je viac nepoužiteľné, musí zberať ako separovaný odpad a likvidovať ekologickým spôsobom.

## ZÁRUKA

Produkty značky FERM sa vyvíjajú podľa najvyšších štandardov kvality a vzťahuje sa na ne záruka na chyby materiálu a spracovania po zákonne stanovenú dobu, ktorá začína plynúť dňom pôvodného nákupu. Ak v priebehu tohto obdobia dôjde k poruche z dôvodu chybného

materiálu a/alebo spracovania, kontaktujte priamo predajcu FERM.

Z tejto záruky sú vylúčené nasledujúce okolnosti:

- Neautorizované servisné strediská vykonali alebo sa pokúsili vykonať opravy alebo zmeny.
- Bežné opotrebenie.
- Nesprávne použitie, neoprávnené použitie alebo nesprávna údržba náradia.
- Použitie neoriginálnych náhradných dielov.

Táto záruka predstavuje jedinú výslovnú alebo implicitnú záruku poskytovanú spoločnosťou. Neexistujú žiadne ďalšie výslovné ani implicitné záruky, ktoré by presahovali rámec tejto zmluvy, vrátane predpokladaných záruk obchodovateľnosti a vhodnosti na konkrétny účel. Spoločnosť FERM v žiadnom prípade nezodpovedá za akékoľvek náhodné alebo následné škody. Nápravné prostriedky predajcov sa obmedzujú na opravu alebo výmenu nevyhovujúcich zariadení alebo dielov.

**Produkt a používateľská príručka podliehajú zmenám. Špecifikácie sa môžu zmeniť bez predchádzajúceho upozornenia.**

## DESBROZADORA GTM1008

### Gracias por comprar este producto FERM.

Ahora dispone de un excelente producto, suministrado por uno de los principales proveedores de Europa. Todos los productos suministrados por Ferm son fabricados de acuerdo con los más elevados estándares de rendimiento y seguridad. Como parte de nuestra filosofía, proporcionamos también un excelente servicio al cliente, respaldado por nuestra garantía integral. Esperamos que disfrute del uso de este producto durante muchos años.

## 1. INSTRUCCIONES DE SEGURIDAD



**Lea las advertencias de seguridad, las advertencias de seguridad adicionales y las instrucciones adjuntas.** Si no respeta las advertencias de seguridad y las instrucciones, pueden ocasionarse descargas eléctricas, incendios y/o lesiones graves. **Guarde las advertencias de seguridad y las instrucciones para su futura consulta.**

En el manual de usuario y en el producto se emplean los siguientes símbolos:



Lea el manual de usuario.



Denota riesgo de lesiones corporales, muerte o daños a la herramienta en caso de incumplimiento de las instrucciones del presente manual.



Riesgo de descarga eléctrica.



Riesgo de proyección de objetos. Mantenga a otras personas alejadas de la zona de trabajo.



Use gafas de seguridad y protección auditiva.



**Peligro – Mantenga las manos alejadas de las piezas móviles.**



*Tenga cuidado con los objetos que pudiesen salir proyectados hacia otras personas. Mantenga las personas ajenas a una distancia de seguridad de la máquina.*



**No exponer a la lluvia.**



**Nivel de potencia acústica**



**Máx. temperatura 40 °C.**



**No arroje la batería al fuego.**



**Efectúe la recogida selectiva de la batería de iones de litio.**



**No tire el producto en contenedores inadecuados.**



*El producto es conforme a las normas de seguridad aplicables establecidas por las directivas europeas.*

## ADVERTENCIAS DE SEGURIDAD GENERALES



**¡ADVERTENCIA! Lea todas las advertencias de seguridad y todas las instrucciones.** Si no respeta las advertencias de seguridad y las instrucciones, pueden ocasionarse descargas eléctricas, incendios y/o lesiones graves. El término “herramienta eléctrica” de las advertencias se refiere a la herramienta eléctrica alimentada por la red (con cable) o alimentada a batería (sin cable).

### Guarde todas las advertencias y las instrucciones para su futura consulta.

El término “herramienta eléctrica” de las advertencias se refiere a la herramienta eléctrica alimentada por la red (con cable) o alimentada a batería (sin cable).

## ADVERTENCIAS DE SEGURIDAD PARA LA BATERÍA

- No abra la batería.** Riesgo de cortocircuito.
- Proteja la batería del calor, p. ej., de la luz solar intensa continua, el fuego, el agua y la humedad.** Peligro de explosión.
- En caso de daño y de uso incorrecto de la batería, esta puede emitir vapores. Ventile el área y consulte un médico si se siente mal.** Los vapores pueden irritar el sistema respiratorio.
- Utilice la batería solo junto con su producto FERM.** Esta medida protege la batería de sobrecargas peligrosas.
- La batería puede sufrir daños ocasionados por objetos puntiagudos tales como clavos o destornilladores o por fuerzas aplicadas externamente.** Puede producirse un cortocircuito interno que dé lugar a que la batería se incendie, emita humo, explote o se caliente en exceso.

## ADVERTENCIAS DE SEGURIDAD PARA EL CARGADOR

Cargue el tipo de baterías recargables con el cable USB; otros tipos de baterías pueden estallar y causar lesiones personales y daños.

- El aparato no debe ser usado por personas (incluidos niños) con capacidades físicas, sensoriales o mentales reducidas, o que no tengan experiencia o conocimientos suficientes, salvo que hayan sido capacitadas o estén bajo supervisión.**
- Controle que los niños no jueguen con el aparato.**
- ¡No recargue baterías no recargables!**
- Durante la carga, las baterías deben dejarse en un lugar bien ventilado.**

### Seguridad eléctrica

- No cargue las baterías si el cable USB está dañado.

### 1) Seguridad en el área de trabajo

- Mantenga el área de trabajo limpia y bien iluminada.** Las áreas desordenadas u oscuras favorecen los accidentes.
- No utilice herramientas eléctricas en atmósferas explosivas, como en presencia de líquidos, gases o polvos inflamables.** Las

herramientas eléctricas generan chispas que pueden encender el polvo o los humos.

- c) **Mantenga alejados a los niños y a otras personas cuando utilice una herramienta eléctrica.** Las distracciones pueden causar pérdidas de control.
- 2) Seguridad eléctrica**
- a) **Los enchufes de las herramientas eléctricas deben coincidir con la toma de corriente. Nunca modifique el enchufe de ningún modo. No utilice ningún enchufe adaptador con las herramientas eléctricas con toma de tierra (puesta a masa).** Los enchufes no modificados y las tomas de corriente que se corresponden reducen el riesgo de descarga eléctrica.
- b) **Evite el contacto del cuerpo con superficies conectadas a tierra o puestas a masa, como tubos, radiadores, cocinas y refrigeradores.** Existe un mayor riesgo de descarga eléctrica si su cuerpo está conectado a tierra o puesto a masa.
- b) **No exponga las herramientas eléctricas a la lluvia ni a la humedad.** Si entra agua en una herramienta eléctrica, aumenta el riesgo de descarga eléctrica.
- d) **No maltrate el cable. No utilice nunca el cable para transportar, tirar o desconectar la herramienta eléctrica. Mantenga el cable alejado del calor, el aceite, los cantos vivos y las piezas móviles.** Los cables dañados o enredados aumentan el riesgo de descarga eléctrica.
- e) **Cuando utilice una herramienta eléctrica en exteriores, utilice un cable prolongador adecuado para uso en exteriores.** Usar un cable adecuado para exteriores reduce el riesgo de descarga eléctrica.
- f) **Si el uso de una herramienta eléctrica en un entorno húmedo es inevitable, utilice un suministro protegido con un dispositivo diferencial residual (DDR).** El uso de un DDR reduce el riesgo de descarga eléctrica.
- 3) Seguridad personal**
- a) **Esté atento, tenga cuidado con lo que hace y aplique el sentido común cuando utilice una herramienta eléctrica. No utilice herramientas eléctricas si está cansado o bajo el efecto de drogas, alcohol o medicamentos.** Un momento de desatención durante el uso de las herramientas eléctricas puede causar lesiones personales graves.
- b) **Use equipo de protección individual. Use siempre protección ocular.** Los equipos de protección, como la mascarilla antipolvo, el calzado de seguridad antideslizante, el casco o la protección auditiva, utilizados en las condiciones adecuadas, reducen las lesiones corporales.
- c) **Evite el arranque involuntario. Compruebe que el interruptor esté en la posición de apagado antes de conectar la herramienta a la fuente de alimentación y/o a la batería, y antes de cogerla o transportarla.** Transportar herramientas eléctricas con el dedo puesto sobre el interruptor o enchufarlas con el interruptor encendido puede causar accidentes.
- d) **Retire cualquier llave de ajuste o llave de tuercas antes de encender la herramienta eléctrica.** Si se deja cualquier tipo de llave puesta en una pieza giratoria de la herramienta eléctrica, pueden producirse lesiones personales.
- e) **No se estire demasiado. Mantenga una posición firme y equilibrada en todo momento.** Así tendrá un mejor control de la herramienta eléctrica en situaciones imprevistas.
- f) **Vístase de forma adecuada. No use prendas sueltas ni joyas. Mantenga el cabello, la ropa y los guantes alejados de las piezas móviles.** La ropa suelta, las joyas o el cabello largo pueden quedar atrapados en las piezas móviles.
- g) **Si se proporcionan dispositivos para la conexión de aparatos de extracción y recogida de polvo, compruebe que estos estén conectados y que se utilicen correctamente.** El uso de aparatos de recogida de polvo puede reducir los riesgos relacionados con el polvo.
- h) **No permita que la familiaridad adquirida con el uso frecuente de las herramientas le haga confiarse e ignorar los principios de seguridad de las herramientas.** Una acción descuidada puede causar lesiones graves en una fracción de segundo.



#### 4) Uso y cuidado de la herramienta eléctrica

- a) **No fuerce la herramienta eléctrica. Utilice la herramienta eléctrica correcta para su aplicación.** Usar la herramienta eléctrica correcta y al ritmo para el que esta ha sido diseñada permite hacer mejor el trabajo y con más seguridad.
- b) **No utilice la herramienta eléctrica si no se puede encender o apagar con el interruptor.** Cualquier herramienta eléctrica que no pueda ser controlada con el interruptor es peligrosa y debe ser reparada.
- c) **Desconecte el enchufe de la fuente de alimentación y/o quite la batería de la herramienta eléctrica antes de hacer cualquier ajuste, cambiar los accesorios o guardar la herramienta eléctrica.** Estas medidas de seguridad preventivas reducen el riesgo de que la herramienta eléctrica se ponga en marcha accidentalmente.
- d) **Guarde las herramientas eléctricas inactivas fuera del alcance de los niños y no permita que las utilicen las personas no familiarizadas con las herramientas eléctricas o con estas instrucciones.** Las herramientas eléctricas son peligrosas en manos de usuarios no capacitados.
- e) **Efectúe el mantenimiento de las herramientas eléctricas. Compruebe si las piezas móviles están desalineadas o agarrotadas, si hay piezas rotas o cualquier otra condición que pueda afectar al funcionamiento de la herramienta eléctrica. En caso de que la herramienta esté dañada, hágala reparar antes de usarla.** Muchos accidentes son causados por herramientas eléctricas mal mantenidas.
- f) **Mantenga las herramientas de corte afiladas y limpias.** Las herramientas de corte bien mantenidas y con bordes de corte afilados tienen menos probabilidades de atascarse y son más fáciles de controlar.
- g) **Utilice la herramienta eléctrica, los accesorios y las brocas, etc., de acuerdo con estas instrucciones, teniendo en cuenta las condiciones de trabajo y el trabajo a realizar.** El uso de la herramienta eléctrica para operaciones diferentes a las previstas puede causar situaciones peligrosas.
- h) **Mantenga las empuñaduras y las superficies de agarre secas, limpias y libres**

**de aceite y grasa.** Las asas y las superficies de agarre resbaladizas no permiten un manejo y control seguros de la herramienta en situaciones inesperadas.

#### 5) Reparaciones

- a) **Haga reparar su herramienta eléctrica por una persona cualificada, que use solo piezas de repuesto idénticas.** Esto garantiza el mantenimiento de la seguridad de la herramienta eléctrica.

#### Instrucciones de seguridad adicionales para desbrozadoras:

- Mantenga la zona de trabajo limpia y ordenada.
- Evite usar la desbrozadora si llueve o hay mucha humedad y, especialmente, en caso de riesgo de rayos.
- Trabaje solo con luz diurna o con una buena luz artificial
- No use herramientas eléctricas si hay riesgo de explosión o incendio, como, p. ej., cerca de líquidos o gases inflamables. Las herramientas eléctricas generan chispas que pueden encender el polvo o los humos.
- Nunca utilice el producto si está cansado, enfermo o bajo los efectos de alcohol, medicamentos o drogas.
- Lleve siempre pantalones largos y pesados, botas y guantes. No use ropa suelta, joyas, pantalones cortos ni sandalias, y nunca trabaje descalzo.
- Use protección ocular de seguridad y protectores auditivos cuando utilice la máquina
- No se estire demasiado y mantenga el equilibrio en todo momento, afirme siempre bien los pies en las pendientes, y camine, nunca corra.
- Nunca permita que los niños, las personas con capacidades físicas, sensoriales o mentales reducidas o con falta de experiencia o conocimientos o las personas que no estén familiarizadas con estas instrucciones utilicen la máquina. Las normas locales pueden restringir la edad del operador.
- Nunca trabaje con la desbrozadora si hay personas, especialmente niños, o mascotas cerca.

- No ponga las manos ni los pies cerca del sistema de corte.
  - Nunca coloque elementos metálicos cortantes en esta desbrozadora.
  - Efectúe periódicamente controles y el mantenimiento de la desbrozadora.
  - Nunca use la desbrozadora si le faltan las protecciones o pantallas o si las tiene rotas, o si no tiene las protecciones y las pantallas en su posición.
  - Antes de usar la máquina después de que haya recibido un golpe, compruebe si tiene signos de desgaste o daños y, si es necesario, repárela
  - Espere a que la línea del carrete se haya detenido completamente antes de tocarla. La línea del carrete sigue girando después de apagar la desbrozadora, y el hilo al girar puede causar lesiones.
  - Utilizar la desbrozadora en la hierba mojada disminuye la eficiencia de las prestaciones.
  - Apague la desbrozadora cuando la desplace desde y hacia la zona de trabajo.
  - Encienda el motor solo cuando tenga las manos y los pies alejados de los elementos de corte.
  - Haga reparar la desbrozadora solo por un agente de servicio al cliente autorizado.
  - Compruebe siempre que las ranuras de ventilación estén libres de residuos.
  - Guarde la máquina en un lugar seguro, seco y alejado del alcance de los niños. No coloque otros objetos encima de la máquina.
  - No utilice la máquina si no tiene colocado el accesorio del hilo.
  - No fuerce el aparato; deje que funcione a la velocidad para la que ha sido diseñado.
- No sustituya nunca los medios de corte no metálicos por medios de corte metálicos.
- 1) cuando el usuario deje la máquina;
  - 2) antes de eliminar un bloqueo;
  - 3) antes de revisar, limpiar o trabajar en la máquina;
  - 4) después de golpear un objeto extraño, para ver si se ha producido algún daño;
  - 5) si la máquina empieza a vibrar de modo anormal, para revisarla inmediatamente.
- Compruebe siempre que los protectores estén colocados cuando utilice la herramienta.
  - Compruebe si el cable está dañado antes de empezar a trabajar y, si es necesario, sustitúyalo.
  - Efectúe periódicamente controles y el mantenimiento de la desbrozadora. Lleve a reparar la desbrozadora únicamente a un taller autorizado.
  - Después de extender una nueva línea de corte o sustituir el carrete de hilo. Vuelva a colocar siempre la desbrozadora en su posición normal de funcionamiento antes de encenderla.
  - Inspeccione periódicamente el estado del cabezal de corte. Si el carrete está dañado, apague la desbrozadora, desenchúfela de la toma de corriente y sustituya el carrete.
  - No utilice la máquina para cortar hierba que no esté en el suelo. Por ejemplo, no corte la hierba que esté sobre paredes o rocas.
  - No cruce calles ni caminos de grava con la máquina en marcha.
  - Utilice la máquina únicamente de acuerdo con las instrucciones de este manual.
  - No extienda la línea de corte superando el protector y no use la desbrozadora si ambas líneas no están extendidas y con la línea adecuada instalada.
  - Compruebe periódicamente que las tuercas, pernos y tornillos estén apretados.

No toque las piezas móviles peligrosas antes de desconectar la máquina del suministro de red ni antes de que las piezas peligrosas móviles se detengan por completo. Lleve siempre calzado adecuado y pantalones largos cuando utilice la máquina. Desconéctela de la fuente de alimentación (es decir, saque el enchufe del suministro de red o retire el dispositivo de desactivación):

### Riesgos residuales

Aunque la herramienta sea usada según se prescribe, es imposible eliminar todos los factores de riesgo residual. Pueden surgir los siguientes peligros en relación con la fabricación y el diseño de las herramientas eléctricas:

- a) Problemas de salud derivados de la emisión de las vibraciones, si la herramienta eléctrica se usa durante un periodo de tiempo

prolongado o no se maneja y mantiene adecuadamente.

- b) Lesiones y daños materiales debidos a accesorios rotos que salen proyectados repentinamente.



**¡Advertencia!** Esta herramienta eléctrica produce un campo electromagnético durante el funcionamiento. Este campo puede interferir bajo algunas circunstancias con implantes médicos activos o pasivos. Para reducir el riesgo de lesiones serias o fatales, recomendamos que las personas con implantes médicos consulten a su médico y al fabricante del implante médico antes de utilizar esta herramienta eléctrica.

## 2. INFORMACIÓN SOBRE EL PRODUCTO

### Uso previsto

Esta desbrozadora ha sido concebida para usar en exteriores, para recortar y cortar hierba y césped en jardines privados y de aficionados. El producto ha sido diseñado para cortar hierba, maleza ligera y otra vegetación similar al nivel del suelo o cerca de él. La desbrozadora no debe usarse para cortar o recortar setos, arbustos u otra vegetación en la que el plano de corte no esté al nivel de la superficie del suelo o cerca de él. No utilice la desbrozadora para triturar o hacer compost.

### Especificaciones técnicas

<b>Modelo n.º</b>	<b>GTM1008</b>
Voltaje:	12 V
Velocidad en vacío:	9,000/min
Batería recomendada:	CDA1192 12 V C - 1,5 Ah
Anchura de corte	220 mm
Sistema de corte	carrete de 2 líneas de hilo, Ø Tap and go 1,2 mm x 4 m
Peso:	1,4 kg
Nivel de presión acústica:	LPA: 71,3 dB(A) K=3 dB(A)
Nivel de presión acústica	LWA: 88,3 dB(A) K=1,32 dB(A)
<b>Vibración:</b>	
Empuñadura trasera	2,63 m/s <sup>2</sup>
Empuñadura frontal	1,24 m/s <sup>2</sup> K=1,5 m/s <sup>2</sup>

<b>N.º modelo</b>	<b>CDA1192</b>
Tipo de batería:	Iones de litio
Voltaje:	12 V
Capacidad:	1,5 Ah
Cargador recomendado:	USB (5 V 1-2 A)
Peso:	0,18 kg

Use solo las siguientes baterías de la plataforma de baterías AX-POWER 12V. El uso de cualquier otra batería puede causar lesiones graves o dañar la herramienta. CDA1192 12 V, 1,5 Ah de iones de litio (suministrada)

Las baterías de la plataforma de baterías AX-POWER de 12 V son intercambiables con todas las herramientas de la plataforma de baterías FERM AX-POWER de 12 V.

### Nivel de vibración

El nivel de emisión de vibraciones indicado en este manual de instrucciones ha sido medido según una prueba estándar proporcionada en las normas EN 60335-1 y EN 50636-2-91, que puede utilizarse para comparar una herramienta con otra y como valoración preliminar de la exposición a las vibraciones al utilizar la herramienta con las aplicaciones mencionadas.

- Utilizar la herramienta para otros trabajos o con accesorios diferentes o escasamente mantenidos puede aumentar significativamente el nivel de exposición.
- Cuando la herramienta está apagada o en funcionamiento, pero no está realizando ninguna tarea, el nivel de exposición puede reducirse.

Protéjase contra los efectos de las vibraciones realizando el mantenimiento de la herramienta y sus accesorios, manteniendo las manos calientes y organizando sus patrones de trabajo

## DESCRIPCIÓN

Los números del texto se refieren a los diagramas de las páginas 2-4.

1. Empuñadura antivibraciones
2. Interruptor de encendido/apagado
3. Interruptor de seguridad
4. Indicador de batería
5. Empuñadura delantera
6. Carcasa principal

7. Protector de seguridad
8. Barra de protección
9. Alojamiento del carrete
10. Batería
11. Tornillos de la carcasa
12. Tornillo del protector de seguridad
13. Conjunto del carrete
14. Resorte
15. Alojamiento del carrete
16. Botones de desbloqueo de la batería
17. Cable del cargador
18. Indicador de carga

### 3. MONTAJE



Antes de realizar cualquier trabajo en la herramienta eléctrica, extraiga la batería



Hay que cargar la batería antes del primer uso.

#### Extracción de la batería de la máquina (Fig. D)

- Pulse los botones de desbloqueo de la batería (16) y saque la batería de la máquina (1).

#### Colocación de la batería en la máquina (Fig. C)



Compruebe que la parte exterior de la batería esté limpia y seca antes de colocarla en el cargador o en la máquina.

- Introduzca la batería (10) en la base de la máquina (1).
- Empuje la batería hacia delante hasta que haga clic en su sitio.

#### Carga de la batería (con el cargador) (Fig. E)

- Conecte el conector USB-C del cable del cargador (17) en la batería (10).
- Conecte el conector USB-A del cable del cargador a un adaptador de corriente USB. (no suministrado). Como alterna, se puede utilizar, por ejemplo, un cargador o un ordenador portátil como fuente de alimentación.
- La luz indicadora de carga (18) se encenderá y mostrará el estado de carga.

#### Indicador LED (7) (Fig. G)

La batería tiene 1 LED indicador (18) que indica el estado del proceso de carga:

#### Estado del LED del cargador

Rojo	Carga de la batería en curso
Verde	Ha finalizado la carga de la batería, batería totalmente cargada

Cuando la batería esté totalmente cargada, desenchufe el enchufe del cargador de la toma y desenchufe el cable de carga de la batería.



Cuando la máquina no se utiliza por un largo periodo de tiempo, es conveniente guardar la batería cargada.



Antes del uso realice siempre una inspección visual para comprobar que las cuchillas, los pernos de las cuchillas y el bloque de corte no estén desgastados o dañados.



¡Advertencia! No puede usar el cortasetos sin el protector de seguridad.

#### Montaje del protector (Fig. C1)

- Ponga el protector (7) en la máquina, como se indica en la figura C1.
- Fije el protector con el tornillo (12)
- Introduzca el protector (8) en las ranuras de la base (6).



Nunca intente extraer el protector.

#### Montaje de las carcasa (Fig. B)

- Introduzca la empuñadura frontal (5) en la carcasa intermedia(6).
- Acople las tres piezas principales de la carcasa y fíjelas. Asegúrese de que los orificios estén alineados.
- Asegure los tornillos de la carcasa (11) en las cuatro ranuras para montar la carcasa principal (6).



Antes de sustituir el carrete, limpie la máquina de toda suciedad.

#### Sustitución del carrete (Fig. C2)

- Saque el conjunto del carrete (13), pero deje el resorte (14) dentro.
- Tome el nuevo conjunto del carrete y colóquelo sobre el resorte (14).
- Fije el conjunto del carrete girándolo firmemente en el alojamiento del carrete.

## 4. FUNCIONAMIENTO

### Uso del sistema «tap and go» (Fig. C2)

- Si el hilo es demasiado corto, encienda la máquina y presione la punta del carrete (13) contra el suelo (asegúrese de hacerlo en una superficie dura).
- Esto liberará el hilo para alargarlo.
- El hilo será cortado a la longitud correcta automáticamente por la cuchilla montada en el protector (7).

### Uso de la desbrozadora

- Por su propia seguridad y para conseguir mejores resultados, lea los siguientes consejos al usuario y no use este producto para ninguna otra finalidad distinta al uso previsto.
- Esta desbrozadora ha sido fabricada para cortar césped. Cualquier otro uso que no esté específicamente indicado en este manual podría causar daños a la desbrozadora y lesiones al usuario.
- Asegúrese de que el área de trabajo esté libre de piedras, escombros, líneas y otros objetos.
- Encienda la herramienta antes de acercarla a la hierba que vaya a cortar.
- Corte la hierba balanceando la herramienta de derecha a izquierda y proceda lentamente manteniendo la desbrozadora inclinada hacia delante en un ángulo de aprox. 30 grados.
- Debe cortar la hierba alta por capas, siempre comenzando desde arriba. No corte hierba húmeda o mojada. No sobrecargue la herramienta.

### Características de seguridad

- El protector tiene una cuchilla para cortar el hilo a la longitud correcta. No toque la cuchilla para evitar la posibilidad de lesiones.
- Desconecte la desbrozadora de la fuente de alimentación cuando transporte la máquina, para evitar que se encienda accidentalmente durante el transporte.

### Encendido y apagado

- Para encender la desbrozadora, pulse al mismo tiempo el botón de seguridad (3) y el de arranque (2).
- Para apagarla, simplemente suelte el interruptor de encendido/apagado (2)

## 5. MANTENIMIENTO



*Antes de realizar la limpieza y el mantenimiento, apague siempre la máquina y extraiga la batería de la máquina*

Estas máquinas han sido diseñadas para funcionar durante un largo período de tiempo con un mantenimiento mínimo. El funcionamiento continuo satisfactorio depende del cuidado adecuado y la limpieza periódica de la máquina.

- Apague la máquina y retire la batería antes de limpiarla y guardarla.
- La máquina no requiere lubricación adicional.
- Limpie la carcasa y otras piezas con un limpiador suave y un paño húmedo.
- No utilice nunca limpiadores agresivos ni disolventes.
- Evite que entre agua en la máquina.
- No deje la desbrozadora apoyada en el suelo durante largos periodos de tiempo pues se podría alterar la forma del protector y ello causaría un riesgo para la seguridad. Si es posible, guarde la máquina acostada en posición horizontal.

### Limpieza

Limpie periódicamente las carcasas de la máquina con un paño suave, preferentemente después de cada uso. Compruebe que los orificios de ventilación estén libres de polvo y suciedad. Elimine el polvo persistente utilizando un paño suave humedecido con agua y jabón. No use disolventes tales como gasolina, alcohol, amoníaco, etc. Tales productos químicos pueden dañar los componentes sintéticos.

## MEDIOAMBIENTE



*El símbolo del contenedor de basura tachado significa que este producto no debe eliminarse con los residuos domésticos normales. Los aparatos electrónicos y eléctricos no incluidos en el proceso de clasificación selectiva son potencialmente peligrosos para el medio ambiente y la salud humana debido a la presencia de sustancias peligrosas. Por favor, deséchelos de forma responsable*

en una instalación de residuos o de reciclaje autorizada.

### Solo para países de la Comunidad Europea

No elimine las herramientas eléctricas como residuos domésticos. De acuerdo con la Directiva europea 2012/19/CE sobre residuos de aparatos eléctricos y electrónicos, y su transposición a las legislaciones nacionales, las herramientas eléctricas que ya no se utilizan deben recogerse por separado y eliminarse en modo ecológico.

## GARANTÍA

El producto FERM ha sido fabricado con los estándares de calidad más elevados y garantizamos que está exento de defectos relacionados con los materiales y la mano de obra durante el período legalmente establecido a partir de la fecha de compra original. Si, durante este periodo, el producto presenta algún fallo de los materiales y/o la mano de obra, póngase en contacto directamente con su revendedor FERM.

La garantía se excluye en los siguientes casos:

- Si se han realizado o se ha intentado realizar reparaciones o alteraciones en la máquina por parte de centros de servicio no autorizados.
- Desgaste normal.
- Si la herramienta ha sido usada impropriamente, mal utilizada o mantenida incorrectamente.
- Si se han utilizado piezas de repuesto no originales.

Esta constituye la única garantía, expresa e implícita, ofrecida por la empresa. No existen otras garantías expresas o implícitas distintas a la especificada en el presente documento, incluidas las garantías implícitas de comerciabilidad y de adecuación a un propósito particular. FERM no será responsable bajo ninguna circunstancia de ningún daño incidental o consecuente. Los recursos de los distribuidores están limitados a la reparación o sustitución de las unidades o piezas no conformes.

**El producto y el manual de usuario están sujetos a variaciones. Las especificaciones pueden variarse sin aviso previo.**

## APARADOR DE RELVA GTM1008

### Obrigado por ter adquirido este produto da FERM.

Ao fazê-lo, adquiriu um excelente equipamento, fornecido por um dos principais fornecedores da Europa. Todos os produtos fornecidos pela Ferm são fabricados de acordo com os mais elevados padrões de desempenho e segurança. Como parte da nossa filosofia, fornecemos também um excelente serviço de assistência ao cliente, apoiado pela nossa garantia abrangida. Esperamos que utilize este equipamento durante muitos anos.

## 1. INSTRUÇÕES DE SEGURANÇA



**Leia os avisos de segurança fornecidos, os avisos de segurança adicionais e as instruções.** O não cumprimento dos avisos de segurança e das instruções pode resultar em choque eléctrico, incêndio e/ou ferimentos graves. **Guarde os avisos de segurança e as instruções para referência futura.**

Os seguintes símbolos são utilizados no manual do utilizador ou no equipamento:



Leia o manual do utilizador.



Indica o risco de ferimentos, morte ou danos na ferramenta se as instruções indicadas neste manual não forem seguidas.



Risco de choque eléctrico.



Risco de projecção de objectos. Mantenha as pessoas presentes afastadas da área de trabalho.



Use sempre óculos de segurança e protecção auricular.



**Perigo:** mantenha as mãos afastadas de peças móveis.



Tenha cuidado com a projecção de objectos na direcção das pessoas presentes. Mantenha as pessoas presentes no local a uma distância segura da máquina.



Não exponha à chuva.



Nível de potência sonora



Temperatura máx.: 40 °C



Não deite a bateria no fogo.



Recolha selectiva para bateria de iões de lítio.



Não elimine o equipamento em depósitos não adequados.



O produto está em conformidade com as normas de segurança aplicáveis nas directivas europeias.

## AVISOS GERAIS DE SEGURANÇA



**AVISO! Leia todos os avisos de segurança e instruções.** O não cumprimento dos avisos e das instruções pode causar choque eléctrico, incêndio e/ou ferimentos graves. O termo “ferramenta eléctrica” indicado nos avisos diz respeito à ferramenta eléctrica com alimentação pela rede (com cabo) ou por bateria (sem cabo).

**Guarde todos os avisos e instruções para referência futura.**

O termo “ferramenta eléctrica” indicado nos avisos diz respeito à ferramenta eléctrica com alimentação pela rede (com cabo) ou por bateria (sem cabo).

## AVISOS DE SEGURANÇA SOBRE A BATERIA

- Não abra a bateria.** Perigo de curto-circuito.
- Proteja a bateria do calor, por exemplo, contra exposição contínua a luz solar, fogo, água e humidade.** Perigo de explosão.
- Em caso de danos e uso inadequado da bateria, podem ser emitidos vapores. Ventile a área e contacte um médico se houver queixas.** Os vapores podem irritar o sistema respiratório.
- Utilize a bateria apenas em conjunto com o seu produto da FERM.** Esta é a única protecção contra sobrecarga perigosa.
- A bateria pode ser danificada por objectos afiados, como pregos ou chaves de fendas ou se for aplicada força externa.** Pode ocorrer um curto-circuito interno e a bateria pode queimar, causar fumo, explodir ou sobreaquecer.

## AVISOS DE SEGURANÇA SOBRE O CARREGADOR

Carregue as baterias recarregáveis do tipo com o cabo USB, outros tipos de baterias podem explodir e causar ferimentos e danos.

- O equipamento não deve ser utilizado por pessoas (incluindo crianças) com capacidades físicas, sensoriais ou mentais reduzidas ou com falta de experiência e conhecimentos, a menos que tenham supervisão ou instrução.**
- As crianças devem ser vigiadas para que não brinquem com o equipamento.**
- Não recarregue baterias não recarregáveis!**
- Durante o carregamento, as baterias devem ser colocadas em locais bem ventilados!**

### Segurança eléctrica

- Não carregue as baterias se o cabo USB estiver danificado.

### 1) Segurança na área de trabalho

- Mantenha a área de trabalho limpa e devidamente iluminada.** As áreas obstruídas ou escuras são propícias a acidentes.
- Não utilize ferramentas eléctricas em atmosferas explosivas, por exemplo, na presença de líquidos inflamáveis, gases ou pó.** As ferramentas eléctricas produzem

faixas que podem causar ignição de pó ou vapores.

- c) **Quando utilizar uma ferramenta eléctrica, mantenha as crianças e transeuntes afastados.** As distrações podem causar perda de controlo.

## 2) Segurança eléctrica

- a) **As fichas da ferramenta eléctrica devem corresponder à tomada. Nunca modifique, de forma alguma, a ficha. Não utilize quaisquer fichas adaptadoras com ferramentas eléctricas ligadas à terra (massa).** As fichas e tomadas correspondentes não modificadas reduzem o risco de choque eléctrico.
- b) **Evite o contacto do corpo com superfícies ligadas à terra ou massa, como tubos, radiadores, fogões ou frigoríficos.** Há maior risco de choque eléctrico se o corpo estiver ligado à terra ou à massa.
- c) **Não exponha as ferramentas eléctricas à chuva ou a ambientes húmidos.** A entrada de água numa ferramenta eléctrica aumenta o risco de choque eléctrico.
- d) **Não utilize o cabo de maneira abusiva. Nunca utilize o cabo para transportar, puxar ou desligar a ferramenta eléctrica. Mantenha o cabo afastado de fontes de calor, óleo, extremidades afiadas ou peças móveis.** Se os cabos estiverem danificados ou enrolados, há maior risco de choque eléctrico.
- e) **Quando utilizar uma ferramenta eléctrica no exterior, opte por uma extensão adequada para utilização no exterior.** A utilização de um cabo adequado para utilização no exterior reduz o risco de choque eléctrico.
- f) **Se não for possível evitar trabalhar com uma ferramenta eléctrica num local húmido, utilize uma fonte de alimentação protegida por um dispositivo diferencial residual (DDR).** A utilização de um DDR reduz o risco de choque eléctrico.

## 3) Segurança eléctrica

- a) **Esteja atento, preste atenção ao que está a fazer e tenha senso comum quando utilizar uma ferramenta eléctrica. Não utilize uma ferramenta eléctrica quando estiver cansado ou sob o efeito de drogas,**

**álcool ou medicamentos.** Um momento de distração durante a utilização de ferramentas eléctricas pode resultar em ferimentos graves.

- b) **Use equipamento de protecção individual. Use sempre protecção ocular.** O equipamento de protecção, como, por exemplo, máscara de poeiras, sapatos de segurança antiderrapantes, capacete de segurança ou protecção auditiva, utilizado nas condições adequadas, reduz o risco de ferimentos.
- c) **Evite accionamentos acidentais. Assegure-se de que o interruptor está desligado antes de ligar a ferramenta à corrente eléctrica e/ou a bateria, levantar ou transportar a ferramenta.** O transporte de ferramentas eléctricas com o dedo colocado no interruptor ou a ligação à corrente das ferramentas eléctricas com o interruptor ligado pode dar origem a acidentes.
- d) **Retire eventuais chaves de ajuste ou chaves de fendas antes de ligar a ferramenta eléctrica.** Uma chave de fenda ou de ajuste montada numa peça rotativa da ferramenta eléctrica pode causar ferimentos.
- e) **Não tente chegar a pontos fora do alcance. Mantenha-se sempre numa posição firme e bem equilibrada.** Desta forma, é mais fácil controlar a ferramenta eléctrica em situações inesperadas.
- f) **Use vestuário adequado. Não use roupa larga ou jóias. Mantenha o cabelo, a roupa e as jóias afastados das peças móveis.** As roupas largas, as jóias ou o cabelo comprido podem ficar presos nestas peças.
- g) **Se for prevista a montagem de dispositivos de extracção e recolha de pó, assegure-se de que estão ligados e que são utilizados de forma correcta.** A utilização de dispositivos de extracção de pó pode reduzir os riscos inerentes.
- h) **Não permita que a familiaridade obtida através do uso frequente de ferramentas faça com que seja complacente e ignore os princípios de segurança da ferramenta.** Uma acção irreflectida pode causar ferimentos graves numa fracção de segundos.
- 4) **Utilização e cuidados a ter com a ferramenta com baterias**



- a) **Não sobrecarregue a ferramenta eléctrica. Utilize a ferramenta eléctrica correcta para o seu trabalho.** A ferramenta eléctrica adequada efectua o trabalho de maneira mais eficiente e segura se for utilizada de acordo com a capacidade para a qual foi concebida.
- b) **Não utilize a ferramenta eléctrica se não conseguir ligar ou desligar o interruptor.** Qualquer ferramenta eléctrica que não possa ser controlada através do gatilho é perigosa e deve ser reparada.
- c) **Retire a ficha da fonte de alimentação e/ou a bateria da ferramenta eléctrica, antes de efectuar quaisquer ajustes, substituir acessórios ou guardar ferramentas eléctricas.** Estas medidas de segurança preventivas reduzem o risco de ligar a ferramenta eléctrica acidentalmente.
- d) **Mantenha as ferramentas eléctricas que não estiverem a ser utilizadas fora do alcance das crianças. Não permita que a ferramenta eléctrica seja utilizada por pessoas não familiarizadas com a mesma ou que não tenham lido estas instruções.** As ferramentas eléctricas são perigosas nas mãos de pessoas que não possuam as qualificações necessárias para manuseá-las.
- e) **Faça a manutenção das ferramentas eléctricas. Verifique se as peças móveis da ferramenta eléctrica estão alinhadas e não bloqueiam, bem como se existem peças partidas ou danificadas ou quaisquer outras situações que possam afectar o funcionamento da mesma. Se a ferramenta eléctrica estiver danificada, esta só deve ser utilizada depois de ser reparada.** Muitos acidentes têm como principal causa ferramentas eléctricas com uma manutenção insuficiente.
- f) **Mantenha as ferramentas de corte afiadas e limpas.** As ferramentas de corte sujeitas a uma manutenção adequada, com arestas de corte afiadas, bloqueiam com menos frequência e controlam-se com maior facilidade.
- g) **Utilize a ferramenta eléctrica, os acessórios e as peças de ferramenta, etc., de acordo com estas instruções, considerando as condições de trabalho e a tarefa a ser executada.** A utilização da ferramenta

eléctrica para fins diferentes dos previstos pode resultar em situações perigosas.

- h) **Mantenha as pegas e as superfícies de fixação secas, limpas e sem óleo e gordura.** Os punhos e pegas não permitem o manuseamento e o controlo seguros da ferramenta em situações inesperadas.

## 5) Assistência

- a) **A sua ferramenta eléctrica só deve ser reparada por pessoal qualificado e só devem ser utilizadas peças sobresselentes idênticas.** Desta forma, é garantida a segurança da ferramenta eléctrica.

## Instruções de segurança adicionais para o aparador de relva:

- Mantenha a área de trabalho limpa e arrumada.
- Evite utilizar o aparador de relva em ambientes húmidos, em especial se houver o risco de relâmpagos.
- Só deve trabalhar durante o dia ou se houver luz artificial adequada
- Não utilize ferramentas eléctricas se houver o risco de incêndio ou explosão, ou seja, perto de líquidos ou gases inflamáveis. As ferramentas eléctricas produzem faíscas que podem causar ignição de pó ou vapores.
- Nunca utilize o equipamento quando estiver cansado, doente ou sob o efeito de álcool, drogas ou medicamentos.
- Use sempre calçadas compridas e pesadas, botas e luvas. Não use roupa solta, jóias, calças curtas, sandálias e nunca trabalhe descalço.
- Quando utilizar a máquina, use protecção ocular de segurança e protecção auricular
- Não tente chegar a pontos fora do alcance e mantenha sempre o equilíbrio, os pés bem apoiados nos declives e ande sempre, nunca corra.
- Nunca permita que crianças, pessoas com limitações físicas, sensoriais, mentais ou falta de experiência e conhecimentos ou pessoas não familiarizadas com estas instruções utilizem a máquina, as regulamentações locais podem impedir que uma pessoa de uma determinada idade utilize o equipamento.

- Nunca utilize este aparador de relva perto de pessoas, em especial crianças, ou animais de estimação
  - Não coloque as mãos ou os pés perto do sistema de corte.
  - Nunca instale ferramentas de corte de metal neste aparador de relva.
  - Inspeccione e faça a manutenção do aparador de relva com regularidade.
  - Nunca utilize o aparador de relva com protecções em falta ou partidas ou sem protecções ou blindagens de posição.
  - Antes de utilizar a máquina e após o impacto, verifique se existem sinais de desgaste ou danos e repare-a, se necessário
  - Aguarde até a linha do carreto parar por completo antes de tocar-lhe. Depois do aparador ser desligado, a linha do carreto continua a rodar. Uma lâmina em rotação pode causar ferimentos.
  - A utilização do aparador em relva húmida diminui a eficiência do desempenho.
  - Desligue o aparador de relva quando transportá-lo de e para a área onde estiver a trabalhar.
  - Só deve ligar o motor quando as mãos e pés estiverem afastadas do sistema de corte.
  - O aparador de relva só deve ser reparado por um técnico de apoio ao cliente autorizado.
  - Certifique-se sempre de que as aberturas de ventilação não estão sujas com resíduos
  - Armazene a máquina num local seco e seguro, fora do alcance das crianças. Não coloque outros objectos em cima da máquina
  - Não utilize a máquina sem o acessório de fio
  - Não force o equipamento, deixe-o a funcionar à potência para o qual foi concebido.
- 2) antes de retirar um objecto obstruído;
  - 3) antes de verificar, limpar ou trabalhar com a máquina;
  - 4) se bater num objecto estranho, para inspeccionar se a máquina apresenta danos;
  - 5) se a máquina começar a vibrar de maneira, devendo inspeccioná-la de imediato se a máquina começar a vibrar de maneira, devendo inspeccioná-la de imediato.
- Quando utilizar a máquina, certifique-se sempre de que as protecções estão instaladas.
  - Antes de iniciar o trabalho, verifique se o cabo apresenta danos e substitua-o, se necessário.
  - Inspeccione e faça a manutenção do aparador de relva com regularidade. O aparador de relva deve ser reparado apenas por um técnico de reparação autorizado.
  - Depois de esticar a nova linha de corte ou substituir a linha do carreto. Antes de ligar o aparador, coloque-o sempre na linha na posição de funcionamento normal.
  - Inspeccione periodicamente o estado da cabeça de corte. Se o carreto estiver danificado, desligue a máquina, retire a ficha da fonte de alimentação e substitua o carreto.
  - Não utilize a máquina para cortar relva que não esteja no chão. Por exemplo, não corte relva que esteja em paredes ou rochas.
  - Não atravesse estradas ou alamedas com brita com a máquina em funcionamento.
  - Utilize a máquina apenas de acordo com as instruções indicadas neste manual.
  - Não estique a linha de corte para além da protecção e não utilize o aparador de relva se ambas as linhas não estiverem esticadas e a linha correcta não estiver instalada.
  - Inspeccione com frequência se as porcas, cavilhas e parafusos estão apertados.

Nunca substitua o sistema não metálico por um sistema de corte metálico.

Não toque nas peças perigosas móveis antes de desligar a máquina da rede eléctrica e as peças perigosas móveis pararem por completo. Quando utilizar a máquina, use sempre calçado robusto e calças compridas. Desligue a fonte de alimentação (por exemplo, retire a ficha da corrente eléctrica ou retire o dispositivo de corte):

- 1) sempre que a máquina não for utilizada pelo utilizador;

### Riscos residuais

Mesmo que a ferramenta eléctrica seja utilizada de acordo com as indicações, não é possível eliminar todos os factores de risco residuais. Os seguintes perigos podem surgir no que respeita ao fabrico e concepção da ferramenta eléctrica:

- a) Problemas de duração resultantes da emissão de vibrações se a ferramenta eléctrica for utilizada durante períodos de tempo mais

prolongados ou se não for gerida e mantida correctamente.

- b) Ferimentos e danos materiais devido a acessórios partidos que sejam quebrados inesperadamente.



**Aviso!** Esta ferramenta eléctrica produz um campo electromagnético durante o funcionamento. Este campo pode, em determinadas circunstâncias, interferir com implantes médicos activos ou passivos. Para reduzir o risco de ferimentos graves ou letais, recomendamos que as pessoas que usem implantes médicos consultem um médico e o fabricante de implantes médicos antes de utilizar esta ferramenta eléctrica.

## 2. INFORMAÇÕES SOBRE O PRODUTO

### Utilização pretendida

Este aparador de relva é concebido para utilização no exterior, para aparar e cortar relva e relvados em jardins privados e ornamentais. O produto é concebido para cortar relva, ervas ligeiras e outra vegetação semelhante ao nível do solo ou próximo. O aparador de relva não deve ser utilizado para cortar ou aparar sebes, arbustos ou outra vegetação se o plano de corte não estiver ao nível do solo ou próximo. Não utilize o aparador de relva para triturar ou fazer compostagem.

### Especificações técnicas

<b>N.º do modelo</b>	<b>GTM1008</b>
Tensão:	12 V
Velocidade sem carga:	9000/min
Bateria recomendada:	CDA1192, 12 V, CC - 1,5 Ah
Largura de corte	220 mm
Sistema de corte	Carreto de fio de 2 linhas, Tap and go, Ø 1,2 mm x 4 m
Peso:	1,4 kg
Nível de pressão sonora:	LPA: 71,3 dB(A) K = 3 dB(A)
Nível de potência acústica:	LWA: 88,3 dB(A) K = 1,32 dB(A)
<b>Vibração:</b>	
Pega traseira	2,63 m/s <sup>2</sup>
Pega dianteira	1,24 m/s <sup>2</sup> K = 1,5 m/s <sup>2</sup>

<b>N.º do modelo</b>	<b>CDA1192</b>
Tipo de bateria:	lões de lítio
Tensão:	12 V
Capacidade:	1,5 Ah
Carregador recomendado:	USB (5 V, 1 - 2 A)
Peso:	0,18 kg

Utilize apenas as seguintes baterias da plataforma de baterias AX-POWER, 12 V. A utilização de quaisquer outras baterias pode causar ferimentos graves ou danos na ferramenta. CDA1192 lões de lítio, 12 V, 1,5 Ah (incluída)

As baterias da plataforma de baterias AX-POWER, 12 V são intercambiáveis com todas as ferramentas da plataforma de baterias FERM AX-POWER, 12 V

### Nível de vibração

O nível de vibração indicado neste manual de instruções foi medido de acordo com um teste padronizado indicado nas normas EN 60335-1 e EN 50636-2-91; pode ser utilizado para comparar duas ferramentas e como avaliação preliminar da exposição à vibração quando utilizar a ferramenta para as aplicações mencionadas.

- a utilização da ferramenta para aplicações diferentes, ou com acessórios diferentes ou com uma manutenção deficiente, pode aumentar consideravelmente o nível de exposição.
- o número de vezes que a ferramenta é desligada ou está ligada, mas não está a ser utilizada, pode reduzir significativamente o nível de exposição.

Proteja-se dos efeitos da vibração, através de uma manutenção da ferramenta e dos respectivos acessórios, mantendo as mãos quentes e organizando os seus padrões de trabalho

## DESCRIÇÃO

Os números indicados no texto dizem respeito aos diagramas nas páginas 2 e 4.

1. Punho com pega macia
2. Botão para ligar/desligar
3. Interruptor de segurança
4. Indicador da bateria

5. Pega dianteira
6. Caixa principal
7. Resguardo de protecção
8. Barra de protecção
9. Caixa do carreto
10. Bateria
11. Parafusos da caixa
12. Parafuso de protecção
13. Conjunto do carreto
14. Mola
15. Caixa do carreto
16. Patilhas de libertação da bateria
17. Cabo do carregador
18. Indicador de carga

### 3. MONTAGEM



*Retire a bateria antes de efectuar qualquer tarefa na ferramenta eléctrica*



*A bateria deve ser carregada antes de utilizá-la pela primeira vez.*

#### Retirar a bateria da máquina (Fig. D)

- Empurre os botões de libertação da bateria (16) e retire a bateria da máquina (1).

#### Inserir a bateria na máquina (Fig. C)



*O exterior da bateria deve estar limpo e seco antes de inseri-lo no carregador ou na máquina.*

- Insira a bateria (10) na base da máquina (1).
- Empurre a bateria ainda mais até encaixar no respectivo local.

#### Carregar a máquina (com o carregador) (Fig. E)

- Ligue o conector USB-C do cabo do carregador (17) na bateria (10).
- Ligue o conector USB-A do cabo do carregador num transformador USB (não incluído). Como alternativa, pode utilizar um carregador externo ou um portátil como fonte de alimentação.
- A luz indicadora do carregador (18) acende-se e mostra o estado de carregamento.

#### Indicador LED (7) Fig. E

A bateria tem 1 indicador LED (18), que mostra o estado do processo de carregamento:

LED	Estado do carregador
Vermelho	Carregamento da bateria em curso
Verde	O carregamento da bateria foi concluído, a bateria está totalmente carregada

Quando a bateria estiver totalmente carregada, retire a ficha do carregador da tomada e retire o cabo de carregamento da bateria.



*Se não utilizar a máquina durante um período de tempo mais prolongado, é aconselhável armazenar a bateria no estado carregado.*



*Antes de utilizar, inspeccione sempre se as lâminas, parafusos da lâmina e o conjunto do sistema de corte não estão gastos ou danificados.*



*Atenção! Não utilize o aparador de relva sem a protecção.*

#### Montar a protecção (Fig. C1)

- Monte a protecção (7) na cabeça da máquina, como indicado na Figura C1.
- Fixe a protecção com o parafuso (12) fornecido
- Insira a protecção (8) nas ranhuras da base (6).



*Nunca tente retirar a protecção.*

#### Montagem das caixas (Fig. B)

- Insira a pega dianteira (5) na caixa intermédia (6).
- Insira as três partes da caixa principal uma na outra com um encaixe seguro. Certifique-se de que os orifícios dos parafusos estão alinhados.
- Fixe os parafusos da caixa (11) nas quatro ranhuras para montar a caixa principal (6).



*Antes de voltar a colocar o carreto, limpe a sujidade da máquina.*

#### Substituir o carreto (Fig. C2)

- Retire o conjunto do carreto (13), mas deixe a mola (14) no interior.
- Retire o novo conjunto do carreto e coloque-o sobre a mola (14).
- Aperte o conjunto do carreto, rodando o carreto com firmeza na caixa do carreto.

## 4. FUNCIONAMENTO

### Utilizar o sistema "Tap and go" (Fig. C2)

- Se o fio for demasiado curto, ligue a máquina e carregue na ponta do conjunto do carreto (13) até tocar no chão (certifique-se de que o faz numa superfície dura).
- Isto vai libertar o fio para que fique mais comprido.
- O fio é cortado automaticamente para o comprimento correcto através da lâmina montada na protecção (7).

### Utilizar o aparador de relva

- Para sua segurança e para obter os melhores resultados, leia os seguintes conselhos para o utilizador e não utilize este produto para qualquer outra utilização que não seja a pretendida.
- Este aparador de relva é concebido para cortar relva. Qualquer outra utilização que não seja especificamente permitida neste manual pode dar origem a danos no aparador de relva ou ferimentos no utilizador.
- Certifique-se de que a área de trabalho não tem pedras, resíduos, fios e outros objectos.
- Ligue a ferramenta antes de aproximar-se da relva que pretende cortar.
- Corte a relva, baluçando a ferramenta da direita para a esquerda e avance lentamente, mantendo o aparador de relva para a frente a um ângulo de cerca de 30 graus.
- A relva alta deve ser cortada em camadas, começando sempre pelo topo. Não corte relva molhada ou húmida. Não sobrecarregue a ferramenta.

### Funções de segurança

- A protecção tem uma faca para cortar o fio para o comprimento correcto. Não toque na faca para reduzir a probabilidade de ferimentos no utilizador.
- Desligue o aparador da fonte de alimentação quando transportar a máquina para evitar um arranque acidental da máquina durante o transporte.

### Ligar e desligar

- Para ligar o aparador de relva, carregue no interruptor de segurança (3) e, em seguida, no interruptor para ligar/desligar (2)

- Para desligar, liberte o botão para ligar/desligar (2)

## 5. MANUTENÇÃO



*Antes de efectuar a limpeza e a manutenção, desligue sempre a máquina e retire a bateria da máquina*

As máquinas foram concebidas para funcionar durante um longo período de tempo com uma manutenção mínima. Um funcionamento satisfatório contínuo depende de uma manutenção adequada da máquina e de limpeza frequente.

- Desligue a alimentação e retire a bateria antes de limpar e armazenar a máquina.
- A máquina não necessita de lubrificação adicional.
- Limpe a caixa e outras peças com um produto de limpeza suave e um pano humedecido.
- Nunca utilize produtos de limpeza ou solventes agressivos.
- Não permita a entrada de água na máquina.
- Não deixe o aparador de relva pousado no chão durante períodos prolongados, porque pode deformar a protecção e causar um problema de segurança. Se possível, guarde a máquina deitada.

### Limpeza

Limpe a caixa da máquina com frequência com um pano macio, de preferência após cada utilização. As aberturas de ventilação não devem ter pó ou sujidade. Retire a sujidade muito persistente com um pano macio humedecido com água de sabão. Não utilize solventes, como gasolina, álcool, amoníaco, etc. Este tipo de produtos químicos danificam os componentes sintéticos.

## AMBIENTE



*O símbolo do contentor de lixo sobre rodas riscado significa que este produto não deve ser eliminado com os resíduos domésticos. Os equipamentos eletrónicos e eléctricos não incluídos no processo de separação seletiva são*

*potencialmente perigosos para o ambiente e para a saúde humana devido à presença de substâncias perigosas. Por favor, elimine-o de forma responsável num centro de reciclagem de resíduos aprovado.*

devem estar limitados a reparar ou substituir as unidades ou peças que não estejam em conformidade.

**O equipamento e o manual do utilizador estão sujeitos a alterações sem aviso prévio. As especificações podem ser alteradas sem aviso prévio.**

### **Apenas para os países da CE**

Não elimine as ferramentas eléctricas em conjunto com os resíduos domésticos. De acordo com a directiva europeia 2012/19/CE sobre resíduos de equipamentos eléctricos e electrónicos e a respectiva implementação na legislação nacional, as ferramentas eléctricas que já não sejam utilizadas devem ser recolhidas em separado e eliminadas de maneira ecológica.

## **GARANTIA**

O produto da FERM é desenvolvido de acordo com os padrões de qualidade mais elevados e não tem quaisquer defeitos em termos de materiais e mão-de-obra em relação ao período estipulado por lei, cujo início é a partir da data de compra original. Se o produto apresentar qualquer falha durante este período devido a qualquer defeito no material e/ou de mão-de-obra, contacte o fornecedor da FERM directamente.

As seguintes circunstâncias estão excluídas desta garantia:

- Se forem efectuadas ou tentadas quaisquer reparações e/ou alterações na máquina por centros de assistência não autorizados.
- Desgaste normal.
- Se a ferramenta foi utilizada de maneira abusiva, indevida ou a manutenção foi efectuada de maneira incorrecta.
- Se forem utilizadas peças sobresselentes não originais

Isto constitui a única garantia feita pela empresa, de maneira expressa ou implícita. Não existem quaisquer outras garantias expressas ou implícitas que se prolonguem, incluindo as garantias implícitas de comercialização e adequação para fins específicos. A FERM não será, em nenhuma circunstância, responsável por danos incidentais ou indirectos. Os fornecedores

## TRIMMER PENTRU GAZON GTM1008

### Vă mulțumim că ați achiziționat acest produs FERM.

Procedând astfel, aveți acum un produs excelent, livrat de unul din cei mai importanți furnizori din Europe. Toate produsele livrate de Ferm sunt fabricate respectând cele mai înalte standarde de performanță și siguranță. De asemenea, ca parte a filosofiei noastre, asigurăm servicii de asistență excelente și o garanție cuprinzătoare. Sperăm să utilizați cu plăcere acest produs în anii ce urmează.

## 1. INSTRUCȚIUNI DE SIGURANȚĂ



**Citiți avertizările de siguranță, avertizările de siguranță suplimentare și instrucțiunile.** Nerespectarea avertizărilor de siguranță poate cauza producerea de electrocutări, incendii și/ sau răniri grave. **Păstrați manualul cu avertizările de siguranță și instrucțiunile de utilizare pentru referințe viitoare.**

În manualul de utilizare sau pe produs se utilizează următoarele simboluri:



Citiți manualul de utilizare.



Indică riscul de rănire personală, pierderea vieții sau deteriorarea sculei în cazul în care nu se respectă instrucțiunile din acest manual.



Pericol de electrocutare.



Pericol de proiectare a obiectelor. Nu permiteți accesul altor persoane în zona de lucru.



Purtați ochelari de protecție și cască de protecție auditivă.



Pericol – Țineți mâinile la distanță de părțile în mișcare.



Țineți cont de faptul că anumite obiecte pot fi proiectate înspre persoanele din jur. Țineți persoanele din jur la o distanță sigură față de mașină.



Nu expuneți la ploaie.



Nivelul puterii sonore



Temperatură max. 40°C



Nu aruncați bateria în foc.



Colectare separată pentru bateria Li-ion.



Nu aruncați produsul în containere neadecvate.



Produsul este în conformitate cu standardele de siguranță aplicabile din directivele europene.

## AVERTISMENTE GENERALE DE SIGURANȚĂ



**AVERTISMENT! Citiți toate manualele cu avertismentele și instrucțiunile pentru consultare ulterioară.**

Nerespectarea avertismentelor și instrucțiunilor poate cauza producerea de electrocutări, incendii și/sau răniri grave. Termenul „unealtă electrică” din avertismente se referă la scule electrice (cu fir) sau la scule electrice cu baterie (fără fir).

**Păstrați toate avertismentele și instrucțiunile pentru consultare ulterioară.**

Termenul „unealtă electrică” din avertismente se referă la scule electrice (cu fir) sau la scule electrice cu baterie (fără fir).

## AVERTISMENTE DE SIGURANȚĂ PENTRU ACUMULATOR

- a) **Nu deschideți acumulatorul.** Pericol de scurtcircuit.
- b) **Protejați acumulatorul împotriva căldurii, de ex. împotriva expunerii puternice la soare, foc, apă și umiditate.** Pericol de explozie.
- c) **În cazul deteriorării și utilizării necorespunzătoare a acumulatorului, pot fi emiși vapori. Ventilați zona și solicitați asistență medicală în caz de sesizări.** Vaporii pot irita sistemul respirator.
- d) **Utilizați acumulatorul numai în combinație cu produsul FERM.** Numai această măsură protejează acumulatorul împotriva supraîncărcării periculoase.
- e) **Acumulatorul poate fi deteriorat de obiecte ascuțite, cum ar fi cuie sau șurubelnițe sau prin forță aplicată extern.** Poate apărea un scurtcircuit intern și acumulatorul poate arde, exploda sau supraîncălzi.

## AVERTISMENTE DE SIGURANȚĂ PENTRU STAȚII DE ÎNCĂRCARE

Încărcați acumulatorii cu ajutorul cablului USB, alte tipuri de baterii pot exploda, provocând vătămări corporale și daune.

- a) **Aparatul nu trebuie utilizat de către persoane (inclusiv copii) cu capacități fizice, senzoriale sau mentale reduse, sau de către persoane lipsite de experiență și cunoștințe, cu excepția cazului în care acestea au fost supravegheate și instruite.**
- b) **Nu lăsați copiii nesupravegheați să se joace cu aparatul.**
- c) **Nu reîncărcați bateriile ne-reîncărcabile!**
- d) **În timpul încărcării, acumulatorii trebuie amplasați într-o zonă bine ventilată!**

### Instrucțiuni de siguranță privind alimentarea electrică

- Nu încărcați acumulatorii dacă cablul USB este deteriorat.
- 1) **Siguranța zonei de lucru**
    - a) **Păstrați zona de lucru curată și bine iluminată.** Zonele dezordonate sau întunecate pot duce la producerea de accidente.
    - b) **Nu operați sculele electrice în atmosfere explozive, cum ar fi în prezența lichidelor, gazelor sau pulberilor explozive.** Sculele

electrice generează scânteii care pot declanșa explozii sau incendii.

- c) **Țineți la distanță copiii și persoanele din jur în timp ce operați o sculă electrică.** Distragerea atenției poate cauza pierderea controlului.
- 2) **Siguranța electrică**
    - a) **Ștecherile sculelor electrice trebuie să se potrivească cu priza. Nu modificați niciodată în nici un fel mufele. Nu folosiți adaptoare de priză cu scule electrice legate de pământ (împământate).** Mufele nemodificate și prizele adecvate reduc riscul de electrocutare.
    - b) **Evitați contactul corpului cu suprafețele împământate precum țevi, radiatoare, cuptoare și frigider.** Există un risc mai mare de electrocutare dacă vă este corpul împământat.
    - c) **Nu expuneți sculele electrice la ploaie sau condiții de umezeală.** Apa care pătrunde într-o sculă electrică va spori riscul de electrocutare.
    - d) **Nu manipulați necorespunzător cablul. Nu folosiți niciodată cablul pentru a transporta, a trage sau a deconecta scula electrică. Feriți cablul de căldură, ulei, margini ascuțite sau piese mobile.** Cablurile distruse sau încurcate cresc riscul de electrocutare.
    - e) **Atunci când operați o sculă de lucru în aer liber, utilizați un prelungitor pentru exterior.** Folosirea unui cablu adecvat pentru uzul în aer liber scade riscul de electrocutare.
    - f) **În cazul în care operarea unei scule electrice într-un spațiu cu umiditate nu poate fi evitată, utilizați o alimentare cu protecție pentru dispozitivele de curent rezidual (RCD).** Utilizarea unui RCD reduce riscul de electrocutare.
  - 3) **Siguranța personală**
    - a) **Fiți precauți, fiți atenți la ceea ce faceți și respectați regulile de bun simț atunci când operați o unealtă electrică. Nu folosiți scula electrică atunci când sunteți obosit sau sub influența drogurilor, alcoolului sau unui tratament medicamentos.** Un moment de neatenție în timpul operării uneltelor electrice poate cauza vătămări corporale grave.



- b) **Utilizați echipamentul de protecție corporală. Purtați întotdeauna protecție pentru ochi.** Echipamentul de protecție precum masca de praf, pantofii de protecție antiderapați, casca de protecție sau protecția auzului, utilizate în condiții adecvate vor reduce pericolul de accidentare.
- c) **Preîntâmpinați pornirea accidentală. Asigurați-vă că întrerupătorul este în poziția oprit, înainte de a vă conecta la sursa de alimentare și/sau acumulator, de a ridica sau transporta scula.** Transportul sculei electrice ținând degetul pe întrerupător sau alimentarea sculelor electrice care au comutatorul pornit poate duce la accidente.
- d) **Îndepărtați orice cheie sau clește de reglare înainte de a porni scula electrică.** Un clește sau o cheie lăsată atașată unei piese rotative a sculei electrice poate cauza vătămări corporale.
- e) **Nu vă întindeți pentru a utiliza scula de lucru. Mențineți-vă întotdeauna stabilitatea și echilibrul.** Acest lucru permite un control mai bun al sculei electrice în situații neașteptate.
- f) **Îmbrăcați-vă corespunzător. Nu purtați haine largi sau bijuterii. Țineți-vă părul, îmbrăcămintea și mănușile departe de componentele mobile.** Hainele largi, bijuteriile sau părul lung pot fi prinse în componentele mobile.
- g) **În cazul în care dispozitivele prezintă posibilitatea conectării de accesorii pentru aspirația și colectarea prafului, asigurați-vă că aceste accesorii sunt conectate și utilizate în mod corespunzător.** Utilizarea colectării prafului poate reduce pericolele legate de praf.
- h) **Nu lăsați ca obișnuința obținută prin utilizarea frecventă a sculelor să vă permită să deveniți impasibil și să ignorați principiile de siguranță în utilizarea sculelor.** O utilizare neglijentă poate provoca accidente grave într-o fracțiune de secundă.
- 4) **Utilizarea și îngrijirea uneltelor electrice**
- a) **Nu forțați scula electrică. Utilizați scula electrică adecvată aplicației dvs.** Scula electrică corespunzătoare va face munca mai ușoară și mai sigură.
- b) **Nu utilizați scula electrică în cazul în care întrerupătorul nu comută în poziția pornit și oprit.** Orice sculă electrică care nu poate fi controlată cu comutatorul este periculoasă și trebuie reparată.
- c) **Deconectați ștecherul de la sursa de alimentare și/sau acumulatorul de la scula electrică înaintea efectuării oricăror reglaje, modificării accesoriilor sau depozitării uneltelor electrice.** Aceste măsuri preventive de precauție reduc riscul de pornire accidentală.
- d) **Nu depozitați sculele electrice în stare inactivă la îndemâna copiilor și nu permiteți persoanelor nefamiliarizate cu scula de lucru sau cu aceste instrucțiuni să o utilizeze.** Sculele electrice sunt periculoase în mâinile utilizatorilor neinstruiți.
- e) **Efectuați întreținerea sculelor electrice. Verificați alinierea sau configurarea greșită a pieselor mobile, ruperea pieselor și orice alte condiții care ar putea afecta funcționarea sculei electrice. În cazul deteriorării, reparați scula electrică înainte de utilizare.** Multe accidente sunt cauzate de sculele electrice deficiente întreținute.
- f) **Păstrați sculele de tăiat ascuțite și curate.** Sculele așchietoare corect întreținute cu muchiile ascuțite au mai puține șanse să se întețenească și sunt mai ușor de utilizat.
- g) **Utilizați scula electrică, accesoriile și biturile sculei etc. conform acestor instrucțiuni, ținând cont de condițiile de lucru și de lucrarea ce trebuie să fie efectuată.** Folosirea sculei electrice pentru operații diferite decât acelea destinate pot cauza o situație periculoasă.
- h) **Țineți mânerul și suprafețele de prindere uscate, curate și lipsite de ulei și unsoare.** Mânere și suprafețele de prindere alunecoase nu permit manipularea și controlul sculei în siguranță în situații neașteptate.
- 5) **Service**
- a) **Prevedeți repararea sculei electrice de către o persoană calificată, folosind exclusiv piese de schimb identice.** Acest lucru va garanta păstrarea în siguranță a sculei electrice.

## Instrucțiuni suplimentare de siguranță pentru trimmerele de tuns iarba:

- Păstrați zona în care lucrați curată și ordonată.
- Evitați să folosiți trimmerul în condiții de ploaie sau umede, mai ales atunci când există riscul de fulgere.
- Lucrați numai la lumina zilei sau cu iluminat artificial bun
- Nu utilizați sculele electrice în locuri în care există un risc de producere a unui incendiu sau a unei explozii - de ex. în apropiere a lichidelor sau gazelor inflamabile. Sculele electrice generează scântei care pot declanșa explozii sau incendii.
- Nu folosiți niciodată aparatul atunci când sunteți obosit, bolnav sau sub influența alcoolului sau a unor medicamente.
- Purtați întotdeauna cizme, mănuși și pantaloni lungi. Nu purtați haine largi, bijuterii, pantaloni scurți, sandale și nu lucrați niciodată desculți.
- Purtați protecție pentru ochi și protecție pentru urechi atunci când folosiți mașina
- Nu vă întindeți pentru a utiliza scula și mențineți-vă permanent echilibrul, asigurați-vă că aveți stabilitate pe pante și mergeți, nu alergați.
- Nu le permiteți niciodată copiilor, persoanelor cu limitări fizice, senzoriale sau mentale sau cu lipsă de experiență și cunoștințe sau persoanelor care nu cunosc aceste instrucțiuni să utilizeze produsul; este posibil să existe regulamente locale privind restricțiile de vârstă ale operatorului.
- Nu utilizați niciodată trimmerul atunci când în apropiere se află persoane în special copii sau animale de companie
- Nu puneți mâinile sau picioarele lângă sistemul de tăiere.
- Nu montați niciodată elemente de tăiere din metal pe acest trimmer.
- Inspectați și întrețineți trimmerul în mod regulat.
- Nu acționați niciodată trimmerul cu protecții sau apărătoare lipsă sau rupte sau fără protecții sau apărătoare în poziție.
- Înainte de a utiliza aparatul și după orice fel de impact, verificați aparatul pentru a depista semnele de uzură sau deteriorare și reparați-l dacă este necesar
- Așteptați până când linia bobinei s-a oprit complet înainte de a o atinge. Linia bobinei

continuă să se rotească după oprirea trimmerului; un fir rotativ poate provoca răniri.

- Utilizarea trimmerului în iarbă umedă scade eficiența performanței.
- Opriti trimmerul când îl transportați în și din zona de lucru.
- Porniți motorul doar când mâinile și picioarele sunt la depărtare de mijloacele de tăiere.
- Dispuneți repararea trimmerului numai de către un agent autorizat de service clienți.
- Asigurați-vă întotdeauna că fantele de ventilare nu prezintă depuneri
- Depozitați aparatul într-un loc sigur și uscat, care să nu fie la îndemâna copiilor. Nu așezați alte obiecte pe mașină
- Nu folosiți mașina fără atașamentul firului fixat
- Nu forțați scula - lăsați-o să funcționeze în ritmul pentru care a fost concepută.

Nu înlocuiți mijloacele de tăiere nemetalice cu unele metalice.

Nu atingeți componentele periculoase în mișcare înainte ca utilajul să fie deconectat de la rețea și ca piesele periculoase în mișcare să se oprească complet. Întotdeauna purtați încălțăminte rezistentă și pantaloni lungi în timpul operării mașinii. Deconectați de la sursa de alimentare (de ex. îndepărtați fișa de la rețea sau îndepărtați dispozitivul de dezactivare):

- 1) când utilizatorul nu se mai află la aparat;
- 2) înainte de eliminarea unui blocaj;
- 3) înainte de a verifica, de a curăța sau de a lucra la aparat;
- 4) după contactul cu un obiect străin, pentru a inspecta eventualele daune ale aparatului;
- 5) dacă aparatul începe să vibreze anormal, pentru a putea verifica imediat.

- Atunci când utilizați scula, asigurați-vă întotdeauna că apărătoarele sunt montate.
- Verificați dacă cablul nu este deteriorat înainte de a începe lucrul și înlocuiți-l dacă este necesar.
- Inspectați și întrețineți trimmerul în mod regulat. Prevedeți repararea trimmerului numai de către un agent de reparații autorizat.
- După extinderea liniei de tăiere noi sau înlocuirea liniei de bobină. Porniți întotdeauna

trimmerul în poziția sa normală de funcționare înainte de a porni.

- Verificați periodic starea capului de tăiere. Dacă bobina este deteriorată, opriți-o, scoateți ștecherul priză și înlocuiți bobina.
- Nu folosiți mașina pentru a tăia iarba care nu se află la sol. De exemplu, nu tăiați iarba, care se află pe pereți sau pietre.
- Nu traversați drumuri sau cărări de pietriș cu mașina încă în funcțiune.
- Utilizați mașina numai conform instrucțiunilor din acest manual.
- Nu extindeți linia de tuns dincolo de protecție și nu acționați tunderea fără ambele linii extinse și instalate corect.
- Verificați periodic dacă piulițele, buloanele și șuruburile sunt strânse.

### Riscuri reziduale

Chiar și atunci când scula electrică este folosită conform indicațiilor, nu este posibil eliminarea tuturor riscurilor reziduale. Următoarele pericole pot apărea în legătură cu alcătuirea și proiectarea sculelor:

- Probleme de sănătate cauzate de emisia de vibrații, în cazul în care scula electrică este utilizată pe o perioadă mai lungă de timp sau nu este păstrată și întreținută corespunzător.
- Răni și daune materiale cauzate de accesoriile rupte care sunt întrerupte brusc.



**Avertizare!** Această sculă electrică produce un câmp electromagnetic în timpul operării. Acest câmp poate, în anumite circumstanțe, să interfereze cu implanturile medicale active sau pasive. Pentru a reduce riscul de accidente grave sau mortale, recomandăm persoanelor cu implanturi medicale să consulte medicul și producătorul implantului înainte de a utiliza această sculă electrică.

## 2. INFORMAȚII DESPRE PRODUS

### Domeniul de utilizare

Acest trimmer este destinat utilizării în aer liber, pentru a tăia și tăia iarba și peluzele din grădinile private și hobby. Produsul este conceput pentru tăierea ierbii, buruienilor ușori și a altor vegetații

similare la nivelul solului sau aproximativ.

Trimmerul nu trebuie folosit pentru tăierea sau tunderea gardurilor vii, a tufișurilor sau a altor vegetații în care planul de tăiere nu se află la nivelul suprafeței solului sau la nivelul acestuia. Nu folosiți trimmerul pentru a tăia sau a face compost.

### Specificații tehnice

Nr. model	GTM1008
Tensiune:	12 V ==
Turație la mers în gol:	9,000 / min
Acumulator recomandat:	CDA1192 12V CC - 1,5 Ah
Lățimea de tăiere	220 mm
Sistem de tăiere	Bobină cu 2 linii, Tap and go Ø1,2 mm x 4 m
Greutate:	1,4 kg
Nivelul presiunii sonore:	LPA:71,3 dB(A) K= 3 dB(A)
Nivel putere acustică:	LWA: 88,3 dB(A) K=1,32 dB(A)

### Vibrație:

Mâner spate	2,63 m/s <sup>2</sup>
Mâner față	1,24 m/s <sup>2</sup> K= 1,5 m/s <sup>2</sup>

Nr. model	CDA1192
Tip acumulator:	Litiu-Ion
Tensiune:	12 V
Capacitate:	1,5 Ah
Încărcător recomandat:	USB (5 V 1-2 A)
Greutate:	0,18 kg

Utilizați numai următoarele baterii ale platformei AX-POWER 12V. Utilizarea altor baterii poate provoca vătămări corporale grave sau defectarea sculei. CDA1192 12 V, 1,5 Ah Litiu-Ion (inclus)

Acumulatorii platformei AX-POWER de 12 V sunt interschimbabili cu toate sculele FERM AX-POWER de 12 V

### Nivelul vibrațiilor

Nivelul emisiilor de vibrații menționat în acest manual de instrucțiuni a fost măsurat în conformitate cu un test standardizat precizat în EN 60335-1 și EN 50636-2-91; poate fi folosit pentru a compara o unealtă cu alta și ca evaluare preliminară a expunerii la vibrații atunci când folosiți scula pentru aplicațiile.

- utilizarea sculei pentru aplicații diferite sau cu accesorii diferite și prost întreținute, poate crește semnificativ nivelul de expunere.
- momentele în care aparatul este oprit sau când funcționează dar nu execută nicio

lucrare, pot reduce semnificativ nivelul de expunere.

Protejați-vă împotriva efectelor vibrațiilor prin întreținerea sculei și a accesoriilor sale, păstrând mâinile calde și organizând procesele de lucru

## DESCRIERE

Numerele din text se referă la diagramele de la paginile 2-4.

1. Mâner cu softgrip
2. Comutator pornire/oprire
3. Comutator de siguranță
4. Indicator acumulator
5. Mâner frontal
6. Carcasă principală
7. Apărătoare de protecție
8. Bară de protecție
9. Carcasă bobină
10. Acumulator
11. Șuruburi carcasă
12. Șurub apărătoare de protecție
13. Ansamblu bobină
14. Arc
15. Carcasă bobină
16. Butoane eliberare acumulator
17. Cablu încărcător
18. Indicator de încărcare

## 3. ASAMBLAREA



Înainte de orice lucrare asupra sculei, decuplați acumulatorul



Înainte de prima utilizare, acumulatorul trebuie să fie încărcat.

### Scoaterea acumulatorului din mașină (Fig. D)

- Apăsați butoanele de deblocare a acumulatorului (16) și scoateți acumulatorul din (1) mașină.

### Introducerea acumulatorului în mașină (Fig. C)



Asigurați-vă că exteriorul acumulatorului este curat și uscat înainte de a îl conecta la acumulator sau la mașină.

- Introduceți acumulatorul (10) în suportul mașinii (1).

- Apăsați acumulatorul până când se fixează în poziție.

### Încărcarea acumulatorului (folosind încărcătorul) (Fig. E)

- Introduceți conectorul USB-C al cablului încărcătorului (17) în acumulator (10).
- Introduceți conectorul USB-A al cablului încărcătorului într-un adaptor USB (neinclus). În mod alternativ, ca sursă de alimentare pot fi folosite, de exemplu, o baterie externă sau un laptop.
- Indicatorul luminos de încărcare (18) se va aprinde și va indica starea de încărcare.

### Indicator LED (7) Fig. E

Acumulatorul are 1 indicator LED (18), care indică nivelul procesului de încărcare:

LED	Starea încărcătorului
Roșu	Încărcare acumulator în curs
Verde	Încărcare acumulator finalizată, acumulator complet încărcat

După încărcarea completă a acumulatorului, scoateți mufa încărcătorului din priză și îndepărtați cablul de la acumulator.



Atunci când nu folosiți mașina, este indicat să depozitați acumulatorul în stare încărcată.



Înainte de utilizare, verificați întotdeauna vizual pentru a vedea dacă lamele, șuruburile lamelor și ansamblul tăietor nu sunt uzate sau deteriorate.



Avertizare! Nu puteți utiliza trimmerul pentru gazon fără apărătoare.

### Montarea apărătoării (Fig. C1)

- Așezați apărătoarea (7) pe mașină, așa cum este prezentat în figura C1.
- Asigurați apărătoarea cu ajutorul șurubului (12) livrat
- Introduceți protecția (8) în fantele de la bază (6).



Nu încercați niciodată să îndepărtați apărătoarea.

### Montarea carcaselor (fig. B)

- Atașați mânerul frontal (5) la mânerul din mijloc (6).
- Introduceți trei părți principale ale carcasei una în cealaltă, cu o potrivire sigură. Asigurați-vă că orificiile șuruburilor se aliniază.
- Fixați șuruburile carcasei (11) în cele patru fante pentru a asambla carcasa principală (6).



*Înainte de a înlocui bobina, curățați mașina de orice murdărie.*

### Înlocuirea bobinei (Fig. C1)

- Scoateți ansamblul bobinei (13), dar lăsați arcul (14) în interior.
- Luați ansamblul bobinei de schimb și așezați-l peste arc (14).
- Fixați ansamblul bobinei prin rotirea strânsă a bobinei în carcasa bobinei.

- Iarba înaltă trebuie tăiată în straturi care încep întotdeauna de sus. Nu tăiați iarba umedă sau udă. Nu suprasolicitați scula.

### Funcții de siguranță

- Apărătoarea de protecție are un cuțit pentru tăierea sârmei la lungimea corectă. Nu atingeți cuțitul pentru a reduce șansa de rănire.
- Deconectați trimmerul pentru gazon de la sursa sa de alimentare atunci când transportați aparatul pentru a preveni pornirea accidentală a acestuia în timpul transportului.

### Pornirea și oprirea

- Pentru a porni trimmerul pentru gazon, apăsați întrerupătorul de siguranță (3) și butonul de pornire/oprire (2)
- Pentru a opri, eliberați butonul de pornire/oprire (2)

## 4. OPERAREA

### Utilizarea sistemului „tap and go” (Fig. C2)

- Când firul este prea scurt, porniți mașina și apăsați vârful ansamblului bobinei (13) pe sol (asigurați-vă că faceți acest lucru pe o suprafață dură).
- Acest lucru va elibera firul pentru a deveni mai lung.
- Firul va fi tăiat automat pe lungimea corectă de lama montată în protecția de protecție (7).

### Utilizarea trimmerului

- Pentru siguranța dvs. și pentru cele mai bune rezultate, citiți următoarele recomandări pentru utilizator și nu utilizați acest produs în niciun alt scop decât cel pentru care a fost conceput.
- Acest trimmer pentru gazon este conceput entru tăierea ierbii. Orice altă utilizare care nu este permisă în mod special în acest manual poate duce la deteriorarea trimmerului pentru gazon sau la rănirea utilizatorului.
- Asigurați-vă că zona de lucru nu conține pietre, resturi, rânduri și alte obiecte.
- Porniți scula înainte de a vă apropia de iarba care urmează să fie tăiată.
- Tăiați iarba prin balansarea sculei de la dreapta la stânga și continuați încet menținând trimmerul înclinat înainte la un unghi de aproximativ 30 de grade.

## 5. ÎNTREȚINEREA



*Înainte de curățare și întreținere, opriți alimentarea electrică a mașinii și scoateți acumulatorul*

- Mașina a fost concepută pentru a opera o perioadă îndelungată de timp, cu un nivel minim de întreținere. Funcționarea satisfăcătoare continuă depinde de îngrijirea corespunzătoare a aparatului și de curățarea în mod regulat.
- Opriți alimentarea și scoateți acumulatorul înainte de a curăța și depozita mașina.
  - Mașina nu necesită lubrifiere suplimentară.
  - Curățați carcasa și alte părți cu un detergent ușor și o cârpă umedă.
  - Nu folosiți niciodată detergenți sau solvenți agresivi.
  - Preveniți pătrunderea apei în mașină.
  - Nu lăsați trimmerul așezat pe podea pentru perioade îndelungate, deoarece ar putea cauza alternarea formei de protecție, prezentând un risc pentru siguranță. Dacă este posibil, depozitați mașina întinsă pe podea.

### Curățarea

Curățați regulat carcasa cu o cârpă moale, de preferat după fiecare utilizare. Curățați fantele de aerisire de praf și murdărie. Îndepărtați murdăria persistentă cu o cârpă moale înmuiată în clăbuci

de săpun. Nu folosiți solvenți precum benzină, alcool, amoniac etc. Astfel de substanțe chimice vor deteriora componentele din plastic.

## MEDIU



*Simbolul un coș de gunoi încercuit și tăiat indică faptul că acest produs nu trebuie eliminat împreună cu deșeurile menajere uzuale. Echipamentele Electrice și Electronice care nu sunt incluse în sistemul de colectare selectivă a deșeurilor pot fi potențial dăunătoare pentru mediul înconjurător și sănătatea umană datorită prezenței substanțelor periculoase. Vă rugăm să le eliminați în mod responsabil la o unitate autorizată de colectare sau reciclare a deșeurilor.*

### Numai pentru țările din CE

Nu aruncați echipamentele acționate electric împreună cu gunoiul menajer. Conform Indicației europene 2012/19/CE pentru echipamente electrice și electronice uzate și a implementării sale la nivel național, echipamentele acționate electric scoase din uz trebuie colectate separat și evacuate într-o manieră ecologică.

## GARANȚIE

Produsele FERM sunt realizate la cele mai înalte standarde de calitate și sunt garantate în privința materialelor și a manoperei pentru întreaga perioadă de utilizare în garanție, începând cu data achiziției. În cazul în care produsul se defectează în timpul perioadei de utilizare, contactați direct reprezentantul FERM.

Următoarele circumstanțe sunt excluse de la această garanție:

- Reparațiile sau modificările care realizate sau care s-au încercat a fi efectuate de centre de service neautorizate.
- Uzura în condiții normale de utilizare.
- Unealta care a fost abuzată, utilizată într-un mod neglijent sau întreținută în mod inadecvat.
- Folosirea unor piese de schimb neoriginale

Aceasta acoperă garanția companiei, explicită sau implicită. Nu există alte garanții explicite sau implicite care să se extindă dincolo de cele indicate aici, incluzând garanțiile, vandabilitatea sau adecvarea pentru un anumit scop. În nicio situație, FERM nu este responsabil pentru daunele accidentale sau subsecvente. Reparațiile efectuate de reprezentant trebuie să fie limitate la reparațiile sau la înlocuirea unităților sau a pieselor neconforme.

**Produsul și manualul de utilizare pot suferi modificări. Specificațiile se pot modifica fără notificare prealabilă.**

## ТРИМЕР ЗА ТРЕВА GTM1008

**Благодарим ви, че закупихте този продукт на FERM.**

По този начин вече имате отличен продукт, доставен от един от водещите доставчици в Европа. Всички продукти, доставени до вас от Ferm, са произведени в съответствие с най-високите стандарти за производителност и безопасност. Като част от нашата философия ние също така предоставяме отлично обслужване на клиентите, подкрепено от нашата цялостна гаранция. Надяваме се, че ще се радвате да използвате този продукт в продължение на много години.



*Риск от летящи обекти. Дръжте минувачите далече от работната зона.*



*Носете предпазни очила и защита на слуха.*



*Опасност – дръжте ръцете си далеч от движещи се части.*



*Внимавайте за летящи предмети към минувачите. Дръжте минувачите на безопасно разстояние от машината.*



*Да не се излага на дъжд.*



*Ниво на звуковата мощност*



*Максимална температура на въздуха  
40°C*



*Не изхвърляйте батерията в огън.*



*Отделно събиране на литиево-йонните батерии.*



*Не изхвърляйте продукта в неподходящи контейнери.*



*Продуктът е в съответствие с приложимите стандарти за безопасност в европейските директиви.*

## ОБЩИ ПРЕДУПРЕЖДЕНИЯ ЗА БЕЗОПАСНОСТ



**ВНИМАНИЕ!** Прочетете всички предупреждения за безопасност и всички инструкции. Неспазването на предупрежденията и инструкциите може да доведе до токов удар, пожар и/или сериозно

## 1. ИНСТРУКЦИИ ЗА БЕЗОПАСНОСТ



**Прочетете приложените предупреждения за безопасност, допълнителните предупреждения за безопасност и инструкциите.** Неспазването на предупрежденията за безопасност и инструкциите може да доведе до токов удар, пожар и/или сериозно нараняване. **Запазете предупрежденията за безопасност и инструкциите за бъдещи справки.**

Следните символи се използват в ръководството за потребителя или върху продукта:



*Прочетете ръководството за потребителя.*



*Означава риск от нараняване, загуба на живот или повреда на инструмента в случай на неспазване на инструкциите в това ръководство.*



*Риск от токов удар.*

нараняване. Терминът „електроинструмент“ в предупрежденията се отнася за вашия захранван от електрическата мрежа (с кабел) електроинструмент или работещ с батерии (безкабелен) електроинструмент.

### Запазете всички предупреждения и инструкции за бъдещи справки.

Терминът „електроинструмент“ в предупрежденията се отнася за вашия захранван от електрическата мрежа (с кабел) електроинструмент или работещ с батерии (безкабелен) електроинструмент.

## ПРЕДУПРЕЖДЕНИЯ ЗА БЕЗОПАСНОСТ ЗА БАТЕРИЯТА

- a) **Не отваряйте батерията.** Опасност от късо съединение.
- b) **Пазете батерията от топлина, напр. срещу продължителна интензивна слънчева светлина, огън, вода и влага.** Опасност от експлозия.
- c) **В случай на повреда и неправилно използване на батерията, може да има отделяне на пари.** Проветрете мястото и потърсете медицинска помощ в случай на оплаквания. Изпаренията могат да подразнят дихателната система.
- d) **Използвайте батерията само във връзка с вашия продукт на FERM.** Само тази мярка предпазва батерията от опасно претоварване.
- e) **Батерията може да бъде повредена от остри предмети, като например пирони или отвертки, или от сила, приложена отвън.** Може да възникне вътрешно късо съединение и батерията може да изгори, да пуши, да експлодира или да прегрее.

## ПРЕДУПРЕЖДЕНИЯ ЗА БЕЗОПАСНОСТ ЗА ЗАРЯДНОТО НА БАТЕРИЯТА

Зареждайте тип акумулаторни батерии с USB кабела, други видове батерии може да се спукат, причинявайки наранявания и щети.

- a) **Уредът не трябва да се използва от хора (включително деца) с намалени физически, сетивни или умствени способности, или с липса на опит**

и знания, освен ако не са получили надзор или инструкции.

- b) **Децата трябва да са под наблюдение, за да не играят с уреда.**
- c) **Не презареждайте акумулаторните батерии!**
- d) **По време на зареждането батериите трябва да се поставят в добре проветрено помещение!**

### Електрическа безопасност

- Не зареждайте батерийните модули, ако USB кабелът е повреден.

#### 1) Безопасност на работната зона

- a) **Поддържайте работното място чисто и добре осветено.** Разхвърляните или тъмни зони предразполагат към инциденти.
- b) **Не работете с електрически инструменти в експлозивни атмосфери, като например в присъствието на запалими течности, газове или прах.** Електрическите инструменти създават искри, които могат да възпламяват праха или изпаренията.
- c) **Дръжте децата и минавачите далеч, докато работите с електроинструмент.** Разсейването може да ви накара да загубите контрол.

#### 2) Електрическа безопасност

- a) **Щепселите на електроинструмента трябва да съответстват на контакта. Никога не променяйте щепсела по никакъв начин. Не използвайте адаптерни щепсели със заземени електрически инструменти.** Непроменени щепсели и съвпадащи контакти ще намалят риска от токов удар.
- b) **Избягвайте контакт на тялото със заземени повърхности, като тръби, радиатори, печки и хладилници.** Съществува повишен риск от токов удар, ако тялото ви е заземено.
- c) **Не излагайте електрическите инструменти на дъжд или мокри условия.** Попадането на вода в електроинструмента ще увеличи риска от токов удар.
- d) **Не злоупотребявайте с кабела.** Никога не използвайте кабела за пренасяне, дърпане или изключване на електрическия инструмент. Дръжте



**кабела далеч от топлина, масло, остри ръбове или движещи се части.**

Повредените или заплетени кабели увеличават риска от токов удар.

- e) **Когато работите с електроинструмент на открито, използвайте удължителен кабел, подходящ за употреба на открито.**

Използването на кабел, подходящ за употреба на открито, намалява риска от токов удар.

- f) **Ако работата с електроинструмент на влажно място е неизбежна, използвайте захранване с устройство за остатъчен ток (RCD).** Използването на ДТЗ намалява риска от токов удар.

### 3) Лична безопасност

- a) **Бъдете нащрек, внимавайте какво правите и използвайте здрав разум, когато работите с електроинструмент. Не използвайте електрически инструмент, докато сте уморени или под въздействието на наркотици, алкохол или лекарства.** Момент на невнимание при работа с електрически инструменти може да доведе до сериозно нараняване.

- b) **Използвайте лични предпазни средства. Винаги носете предпазни очила.** Защитно оборудване като маска за прах, предпазни обувки против хлъзгане, каска или защита за слуха, използвани при подходящи условия, ще намалят нараняванията.

- c) **Предотвратете неволно стартиране. Уверете се, че превключвателят е в изключено положение, преди да свържете към източник на захранване и/или батерия, да вземете или пренесете инструмента.** Носенето на електроинструменти с пръст върху превключвателя или включването на електроинструменти с включен превключвател води до инциденти.

- d) **Отстранете всички регулиращи ключове или гаечни ключове, преди да включите електроинструмента.** Гаечен ключ или ключ, оставен прикрепен към въртяща се част на електроинструмента, може да доведе до нараняване.

- e) **Не прекалявайте. Поддържайте правилна опора и баланс през цялото**

време. Това позволява по-добър контрол на електроинструмента в неочаквани ситуации.

- f) **Облечете се правилно. Не носете широки дрехи или бижута. Дръжте косата, дрехите и ръкавиците си далеч от движещи се части.** Свободни дрехи, бижута или дълга коса могат да бъдат захванати от движещи се части.
- g) **Ако са осигурени устройства за свързване на устройства за изсмукване и събиране на прах, уверете се, че те са свързани и използвани правилно.** Използването на събиране на прах може да намали опасностите, свързани с праха.
- h) **Не допускайте самочувствието, придобито от познанията ви, получени от честото използване на инструменти, да стане пречка при спазване на принципите за безопасност на инструментите.** Едно необмислено действие може да причини тежки наранявания за части от секундата.

### 4) Използване и грижи за електрически инструменти

- a) **Не насилвайте електроинструмента. Използвайте правилния електроинструмент за вашето приложение.** Правилният електроинструмент ще свърши работата по-добре и по-безопасно при скоростта, за която е проектиран.

- b) **Не използвайте електроинструмента, ако превключвателят не го включва и изключва.** Всеки електроинструмент, който не може да се управлява с превключвателя, е опасен и трябва да бъде ремонтиран.

- c) **Изключете щепсела от източника на захранване и/или батерията от електроинструмента, преди да правите каквито и да било настройки, смяна на аксесоари или съхраняване на електроинструмента.** Такива превантивни мерки за безопасност намаляват риска от случайно стартиране на електроинструмента.

- d) **Съхранявайте неизползваните електроинструменти далеч от обсега на деца и не позволявайте на хора, които не са запознати с електроинструмента или тези инструкции, да работят**

с електроинструмента. Електрическите инструменти са опасни в ръцете на необучени потребители.

- e) **Поддържайте електроинструментите. Проверете за разместване или залепване на движещи се части, счупване на части и всяко друго състояние, което може да повлияе на работата на електроинструмента. Ако е повреден, поправете електроинструмента преди употреба.** Много злополуки са причинени от лошо поддържани електрически инструменти.
- f) **Поддържайте режещите инструменти остри и чисти.** Правилно поддържаните режещи инструменти с остри режещи ръбове е по-малко вероятно да се заядат и са по-лесни за контрол.
- g) **Използвайте електроинструмента, аксесоарите и накрайниците за инструменти и т.н. в съответствие с тези инструкции, като вземете предвид условията на работа и работата, която трябва да се извърши.** Използването на електроинструмента за операции, различни от предвидените, може да доведе до опасна ситуация.
- h) **Поддържайте дръжките и захващащите повърхности сухи и чисти от масло и грес.** Хлъзгавите дръжки и захващащи повърхности пречат на безопасното боравене и управление на инструмента при неочаквани ситуации.
- 5) **Обслужване**
- a) **Поддръжката на Вашия електроинструмент трябва да се извършва от квалифициран сервиз, като се използват само идентични резервни части.** Това ще гарантира поддръжката на безопасността на електроинструмента.

#### **Допълнителна инструкция за безопасност за тример за трева:**

- Поддържайте района, в който работите, чист и подреден.
- Избягвайте да работите с тримера при дъжд или влажна среда, особено когато има риск от мълния.
- Работете само на дневна светлина или при добра изкуствена светлина

- Не използвайте електрически инструменти там, където има риск от пожар или експлозия – т.е. в близост до запалими течности или газове. Електрическите инструменти създават искри, които могат да възпламенят праха или изпаренията.
- Никога не работете с продукта, когато сте уморени, болни или под въздействието на алкохол, наркотици или лекарства.
- Винаги носете дълги тежки панталони, ботуши и ръкавици. Не носете широки дрехи, бижута, къси панталони, сандали и никога не работете боси.
- Носете предпазни очила и наушници, когато работите с машината
- Не прекалявайте и поддържайте равновесие през цялото време, винаги бъдете сигурни в основата на склонове и ходете, никога не бягайте.
- Никога не позволявайте на деца, лица с намалени физически, сетивни или умствени способности или липса на опит и знания или хора, които не са запознати с тези инструкции, да използват машината, местните разпоредби може да ограничават възрастта на оператора.
- Никога не работете с този тример, докато наблизно има хора, особено деца или домашни любимци
- Не поставяйте ръце или крака близо до режещата система.
- Никога не монтирайте метални режещи елементи към този тример.
- Редовно проверявайте и поддържайте тримера.
- Никога не работете с тримера с липсващи или счупени предпазители или щитове или без предпазители или щитове на място.
- Преди да използвате машината и след удар, проверете за признаци на износване или повреда и поправете, ако е необходимо
- Изчакайте макарата да спре напълно, преди да я докоснете. Макарата продължава да се върти след изключване на тримера; въртящ се проводник може да причини нараняване.
- Работата с тримера в мокра трева намалява ефективността на работата.
- Изключвайте, когато транспортирате тримера до и от зоната, върху която ще работите.

- Включвайте мотора само, когато ръцете и краката са далеч от режещия инструмент.
- Ремонтирайте тримера само от оторизиран агент за обслужване на клиенти.
- Винаги се уверявайте, че вентилационните отвори са чисти от отломки
- Съхранявайте машината на сигурно и сухо място, недостъпно за деца. Не поставяйте други предмети върху машината
- Не работете с машината без монтирана телена приставка
- Не насилвайте уреда – оставете го да работи на скоростта, за която е предназначен.
- Периодично проверявайте състоянието на режещата глава. Ако макарата е повредена, изключете, извадете щепсела от контакта и сменете макарата.
- Не използвайте машината за косене на трева, която не е на земята. Например, не косете трева, която е върху стени или скали.
- Не пресичайте пътища или чакълени пътеки, докато машината все още работи.
- Използвайте машината само според инструкциите, дадени в това ръководство.
- Не удължавайте кордата за поддръжане извън предпазителя и не работете с тримера без двете удължени корди и монтирано правилно корда.
- Проверявайте редовно дали гайките, болтовете и винтовете са затегнати.

Никога не заменяйте неметалните режещи средства с метални режещи средства.

Не докосвайте движещи се опасни части, преди машината да бъде изключена от електрическата мрежа и движещите се опасни части са спрели напълно. Винаги носете солидни обувки и дълги панталони, докато работите с машината. Изключете захранването (напр. извадете щепсела от електрическата мрежа или премахнете деактивиращото устройство):

- 1) всеки път, когато машината е оставена от потребителя;
  - 2) преди отстраняване на запушване;
  - 3) преди проверка, почистване или работа по машината;
  - 4) проверка на машината за повреди след удар с чужд предмет;
  - 5) ако машината започне да вибрира необичайно, за незабавна проверка.
- Винаги се уверявайте, че предпазителите са монтирани, когато използвате инструмента.
  - Проверете кабела за повреди преди започване на работа и сменете, ако е необходимо.
  - Редовно проверявайте и поддържайте тримера. Ремонтирайте тримера само от оторизиран сервис.
  - След удължаване на нова режеща линия или смяна на макарата. Винаги връщайте тримера в нормалното му работно положение, преди да го включите.

### Остатъчни рискове

Дори когато електроинструментът се използва както е предписано, не е възможно да се елиминират всички остатъчни рискови фактори. Следните опасности могат да възникнат във връзка с конструкцията и дизайна на електроинструмента:

- a) Здравословни дефекти, произтичащи от излъчване на вибрации, ако електроинструментът се използва за по-дълъг период от време или не се управлява по подходящ начин и не се поддържа правилно.
- b) Наранявания и имуществени щети, причинени от счупени аксесоари, които са ударени внезапно.



**Внимание!** Този електроинструмент произвежда електромагнитно поле по време на работа. При някои обстоятелства това поле може да повлияе на активни или пасивни медицински импланти. За да намалите риска от сериозно или смъртоносно нараняване, препоръчваме на лица с медицински импланти да се консултират с лекаря си и производителя на медицинския имплант, преди да използват този електроинструмент.

## 2. ИНФОРМАЦИЯ ЗА ПРОДУКТА

### Предназначение

Този тример за трева е предназначен за употреба на открито, за подкастриране и косене на трева и тревни площи в частни и хоби градини. Продуктът е предназначен за косене на трева, леки плевели и друга подобна растителност на или около нивото на земята. Тримерът не трябва да се използва за рязане или подрязване на живи плетове, храсти или друга растителност, когато равнината на рязане не е на или около нивото на земната повърхност. Не използвайте тримера за раздробяване или за правене на компост.

### Технически спецификации

<b>Модел №</b>	<b>GTM1008</b>
Волтаж:	12V
Скорост на свободен ход:	9,000/мин.
Препоръчителна батерия:	CDA1192 12V DC - 1,5Ah
Ширина на косене	220 мм
Система за рязане	2 двуредова макара с тел, освобождаване с потупване Ø1,2 мм x 4 м
Тегло:	1,4 кг
Ниво на звуково налягане:	LPA:71,3 dB(A) K=3dB(A)
Ниво на акустична мощност:	LWA:88,3 dB(A) K=1,32dB(A)
<b>Вибрация:</b>	
Задна дръжка	2,63 м/сек. <sup>2</sup>
Предна дръжка	1,24 м/сек. <sup>2</sup> K=1,5 м/сек. <sup>2</sup>

<b>Модел №</b>	<b>CDA1192</b>
Тип батерия:	литиево-йонна
Волтаж:	12V
Капацитет:	1,5 Ah
Препоръчително зарядно:	USB (5V 1-2A)
Тегло:	0,18 кг

Използвайте само следните батерии на платформата за батерии AX-POWER 12V. Използването на други батерии може да причини сериозно нараняване или повреда на инструмента. CDA1192 12V, 1,5Ah литиево-йонна (включена)

Батериите на платформата за батерии AX-POWER 12V са взаимозаменяеми с всички инструменти за платформа за батерии FERM AX-POWER 12V

### Ниво на вибрация

Нивото на излъчване на вибрации, посочено в това ръководство с инструкции, е измерено в съответствие със стандартизиран тест, даден в EN 60335-1 и EN 50636-2-91; може да се използва за сравняване на един инструмент с друг и като предварителна оценка на излагането на вибрации при използване на инструмента за споменатите приложения.

- използването на инструмента за различни приложения или с различни или лошо поддържани аксесоари може значително да увеличи нивото на излагане.
- времето, когато инструментът е изключен или когато работи, но всъщност не върши работата, може значително да намали нивото на излагане.

Защитете се от въздействието на вибрациите, като поддържате инструмента и неговите аксесоари, поддържате ръцете си топли и организирате работните си модели.

### ОПИСАНИЕ

Цифрите в текста се отнасят до диаграмите на стр. 2 - 4.

1. Дръжка с мека ръкохватка
2. Превключвател за вкл./изкл.
3. Предпазен превключвател
4. Индикатор за батерията
5. Предна дръжка
6. Основен корпус
7. Предпазител
8. Защитна лента
9. Корпус на макарата
10. Батерия
11. Корпусни винтове
12. Защитен предпазен винт
13. Монтаж на макара
14. Пружина
15. Корпус на макарата
16. Бутони за освобождаване на батерията
17. Кабел за зарядно
18. Индикатор за зареждане

### 3. МОНТАЖ



*Преди каквато и да е работа по електроинструмента, извадете батерията*



*Батерията трябва да се зареди преди първата употреба.*

#### Изваждане на батерията от устройството (Фиг. D)

- Натиснете бутоните за освобождаване на батерията (16) и издърпайте батерията от машината (1).

#### Поставяне на батерията в устройството (Фиг. С)



*Уверете се, че външната страна на батерията е чиста и суха, преди да свържете зарядното устройство или машината.*

- Поставете батерията (10) в основата на машината (1).
- Натиснете батерията напред, докато щракне на място.

#### Зареждане на батерията (със зарядно устройство) (Фиг. E)

- Включете USB-C конектора на кабела на зарядното устройство (17) в батерията (10).
- Включете USB-A конектора на кабела на зарядното устройство в USB захранващ адаптер (не е включен). Като алтернатива, например захранващо устройство или лаптоп може да се използва като източник на захранване.
- Светлинната индикация на зарядното устройство (18) ще светне и ще покаже състоянието на зареждане.

#### Светодиоден индикатор (7) Фиг. E

Батерията има 1 LED индикатор (18), който показва състоянието на процеса на зареждане:

Светодиоден	статус на зарядното устройство
Червено	Зареждане на батерията в процес на изпълнение
Зелено	Зареждането на батерията е приключило, батерията е напълно заредена

След като батерията е напълно заредена, извадете щепсела на зарядното устройство от контакта и извадете кабела за зареждане от батерията.



*Когато машината не се използва за по-дълъг период от време, най-добре е батерията да се съхранява в заредено състояние.*



*Преди употреба винаги проверявайте визуално, за да видите дали остриетата, болтовете на острието и режещият модул не са износени или повредени.*



*Предупреждение! Не можете да използвате тримера за трева без защитния корпус.*

#### Монтиране на защитния кожух (фиг. С1)

- Поставете защитния предпазител (7) върху главата на машината, както е показано на фигура С1.
- Закрепете предпазителя с доставения винт (12)
- Поставете защитата (8) в слотовете на основата (6).



*Никога не се опитвайте да сваляте предпазителя.*

#### Монтиране на корпусите (фиг. B)

- Поставете предната дръжка (5) в средния корпус (6).
- Поставете три основни части на корпуса една в друга с надеждно прилягане. Уверете се, че отворите за винтовете са подравнени.
- Закрепете винтовете на корпуса (11) в четирите слота, за да монтирате основния корпус (6).



*Преди да смените макарата, почистете машината от всякакви замърсявания.*

#### Смяна на макарата (фиг. С2)

- Сваляте макарата (13), но оставете пружината (14) вътре.
- Вземете резервната макара и я поставете върху пружината (14).

- Затегнете макарата, като я завъртите плътно в корпуса ѝ.

## 4. ЕКСПЛОАТАЦИЯ

### Използване на системата освобождаване с потупване (фиг. С2)

- Когато тела е твърде къса, включете машината и натиснете върха на макарата (13) към земята (уверете се, че това е направено върху твърда повърхност).
- Това ще освободи жицата, за да стане по-дълга.
- Жицата ще бъде отрязана на правилната дължина автоматично от острието, монтирано в предпазния кожух (7).

### Използване на вашия тример за трева

- За ваша собствена безопасност и за най-добри резултати прочетете следните съвети за потребителя и не използвайте този продукт за нищо друго освен за предназначението му.
- Този тример за трева е предназначен за косене на трева. Всяка друга употреба, която не е изрично разрешена в това ръководство, може да доведе до повреда на тримера за трева или нараняване на потребителя.
- Уверете се, че в работната зона няма камъни, отломки, въжета и други предмети.
- Стартирайте инструмента, преди да се приближите до тревата, която ще косите.
- Косете тревата, като завъртите инструмента отъясно наляво и продължете бавно, като държите тримера наклонен напред под ъгъл от около 30 градуса.
- Високата трева трябва да се коси на слоеве, винаги започвайки от върха. Не косете влажна или мокра трева. Не претоварвайте инструмента си.

### Функции за безопасност

- Защитният предпазител има нож за рязане на проводника до правилната дължина. Не докосвайте ножа, за да намалите вероятността от нараняване на потребителя.
- Изключете тримера от източника на захранване, когато транспортирате

машината, за да предотвратите случайно включване на машината по време на транспортиране.

### Включване и изключване

- За да включите тримера, натиснете предпазния ключ (3) и след това натиснете бутона за включване/изключване (2).
- За да изключите, отпуснете бутона за включване/изключване (2)

## 5. ПОДДРЪЖКА



*Преди почистване и поддръжка винаги изключвайте машината и изваждайте батерията от машината*

Машините са проектирани да работят дълго време с минимална поддръжка. Непрекъснатата задоволителна работа зависи от правилната грижа за машината и редовното почистване.

- Изключете захранването и извадете батерията, преди да почистите и приберете машината.
- Машината не изисква допълнително смазване.
- Почистете корпуса и другите части с мек почистващ препарат и влажна кърпа.
- Никога не използвайте агресивни почистващи препарати или разтворители.
- Предотвратете навлизането на вода в машината.
- Не оставяйте тримера да лежи на пода за продължителни периоди, тъй като това може да доведе до промяна на формата на предпазителя, което представлява риск за безопасността. Ако е възможно, съхранявайте машината легнала.

### Почистване

Почиствайте корпусите на машината редовно с мека кърпа, за предпочитане след всяка употреба. Уверете се, че вентилационните отвори са чисти от прах и мръсотия. Отстранете много устойчивите замърсявания с помощта на мека кърпа, навлажнена със сапунена пена. Не използвайте никакви разтворители като бензин, алкохол, амоняк

и др. Химикали като тези ще повредят синтетичните компоненти.

## ЗАОБИКАЛЯЩА СРЕДА



*Символът със зачеркнат кош за боклук означава, че този продукт не трябва да се изхвърля с обикновените битови отпадъци. Електронното и електрическото оборудване, което не е включено в процеса на селективно сортиране, е потенциално опасно за околната среда и човешкото здраве поради наличието на опасни вещества. Моля, изхвърлете отговорно в одобрено съоръжение за отпадъци или рециклиране.*

### Само за страните от ЕК

Не изхвърляйте електроинструментите в битовите отпадъци. Съгласно Европейската насока 2012/19/ЕК за отпадъци от електрическо и електронно оборудване и нейното прилагане в национално право, електроинструментите, които вече не могат да се използват, трябва да се събират отделно и да се изхвърлят по екологичен начин.

## ГАРАНЦИЯ

Продуктите на FERM са разработени по най-високите стандарти за качество и са гарантирани без дефекти както в материалите, така и в изработката за законно определения период, считано от датата на първоначалната покупка. Ако продуктът се повреди през този период поради дефектен материал и/или изработка, свържете се директно с вашия дистрибутор на FERM.

Следните обстоятелства са изключени от тази гаранция:

- Извършвани са ремонти и/или промени на машината от неоторизирани сервизни центрове.
- Нормално износване.

- Инструментът е бил злоупотребяван, използван неправилно или неправилно поддържан.
- Използвани са неоригинални резервни части

Това представлява единствената гаранция, предоставена от компанията, изрична или подразбираща се. Няма други изрични или подразбиращи се гаранции, които се простират извън лицето на това, тук, включително подразбиращите се гаранции за продаваемост и пригодност за определена цел. В никакъв случай FERM не носи отговорност за случайни или последващи щети. Средствата на търговското лице се ограничават до ремонт или подмяна на несъответстващи възли или части.

**Продуктът и ръководството за потребителя подлежат на промяна. Спецификациите могат да бъдат променяни без допълнително предупреждение.**

## ΧΟΡΤΟΚΟΠΤΙΚΟ GTM1008

### Ευχαριστούμε που αγοράσατε αυτό το προϊόν FERM.

Έτσι αποκτήσατε ένα εξαιρετικό προϊόν, που παραδίδεται από έναν από τους κορυφαίους προμηθευτές στην Ευρώπη. Όλα τα προϊόντα που σας παραδίδονται από τη Ferm είναι κατασκευασμένα σύμφωνα με τα αυστηρότερα πρότυπα απόδοσης και ασφάλειας. Ως μέρος της φιλοσοφίας μας, παρέχουμε επίσης εξαιρετική εξυπηρέτηση πελατών, η οποία υποστηρίζεται από την εκτενή μας εγγύηση. Ελπίζουμε να απολαύσετε τις υπηρεσίες αυτού του προϊόντος για πολλά χρόνια.

## 1. ΟΔΗΓΙΕΣ ΑΣΦΑΛΕΙΑΣ



**Διαβάστε τις εσώκλειστες προειδοποιήσεις ασφαλείας, τις πρόσθετες προειδοποιήσεις ασφαλείας και τις οδηγίες χρήσης. Η μη τήρηση των προειδοποιήσεων ασφαλείας και των οδηγιών μπορεί να έχει ως αποτέλεσμα ηλεκτροπληξία, πυρκαγιά και/ή σοβαρό τραυματισμό. Φυλάξτε τις προειδοποιήσεις ασφαλείας και τις οδηγίες για μελλοντική αναφορά.**

Τα σύμβολα που ακολουθούν χρησιμοποιούνται στο εγχειρίδιο χρήσης ή πάνω στο ίδιο προϊόν:



Διαβάστε το εγχειρίδιο χρήσης.



Δηλώνει κίνδυνο τραυματισμού, απώλειας ζωής ή ζημιάς στο εργαλείο, σε περίπτωση μη τήρησης των οδηγιών στο παρόν εγχειρίδιο.



Κίνδυνος ηλεκτροπληξίας.



Κίνδυνος από εκτινασόμενα αντικείμενα. Κρατάτε τους παρευρισκόμενους μακριά από την περιοχή εργασίας.



Φοράτε προστατευτικά γυαλιά ασφαλείας και προστατευτικά ακοής.



Κίνδυνος – Κρατάτε τα χέρια σας μακριά από κινούμενα εξαρτήματα.



Προσέχετε για τυχόν εκτίναξη αντικειμένων προς παρευρισκόμενους. Κρατάτε τους παρευρισκόμενους σε ασφαλή απόσταση από το μηχάνημα.



Μην εκθέτετε το προϊόν σε βροχή.



Στάθμη ηχητικής ισχύος



Μέγιστη θερμοκρασία 40 °C



Μην πετάξετε την μπαταρία σε φωτιά.



Ξεχωριστή περισυλλογή για μπαταρία ιόντων λιθίου.



Μην απορρίψετε το προϊόν σε ακατάλληλους κάδους απορριμμάτων.



Το προϊόν συμμορφώνεται με τα εφαρμοσίμα πρότυπα ασφαλείας στις Ευρωπαϊκές Οδηγίες.

## ΓΕΝΙΚΕΣ ΠΡΟΕΙΔΟΠΟΙΗΣΕΙΣ ΑΣΦΑΛΕΙΑΣ



**ΠΡΟΕΙΔΟΠΟΙΗΣΗ! Διαβάστε όλες τις προειδοποιήσεις ασφαλείας και όλες τις οδηγίες.** Η μη τήρηση των προειδοποιήσεων και των οδηγιών μπορεί να έχει ως αποτέλεσμα ηλεκτροπληξία, πυρκαγιά και/ή σοβαρό τραυματισμό. Ο όρος "ηλεκτρικό εργαλείο" στις προειδοποιήσεις αναφέρεται σε ηλεκτρικό εργαλείο που λειτουργεί με ρεύμα δικτύου (ρεύματος-με καλώδιο) ή σε ηλεκτρικό εργαλείο που λειτουργεί με μπαταρία (μπαταρίας-χωρίς καλώδιο).



## Φυλάξτε όλες τις προειδοποιήσεις και τις οδηγίες για μελλοντική αναφορά.

Ο όρος "ηλεκτρικό εργαλείο" στις προειδοποιήσεις αναφέρεται σε ηλεκτρικό εργαλείο που λειτουργεί με ρεύμα δικτύου (ρεύματος-με καλώδιο) ή σε ηλεκτρικό εργαλείο που λειτουργεί με μπαταρία (μπαταρίας-χωρίς καλώδιο).

## ΠΡΟΕΙΔΟΠΟΙΗΣΕΙΣ ΑΣΦΑΛΕΙΑΣ ΓΙΑ ΜΠΑΤΑΡΙΑ

- α) Μην ανοίξετε την μπαταρία. Κίνδυνος βραχυκυκλώματος.
- β) Προστατεύετε την μπαταρία από θερμότητα, π.χ. από συνεχή έντονη ηλιακή ακτινοβολία, από φωτιά, νερό και υγρασία. Κίνδυνος έκρηξης.
- γ) Σε περίπτωση ζημιάς στην μπαταρία και ακατάλληλης χρήσης της, μπορεί να εκλυθούν αναθυμιάσεις. Αερίστε την περιοχή και ζητήστε ιατρική βοήθεια σε περίπτωση που υπάρχουν ενοχλήσεις. Οι αναθυμιάσεις μπορεί να είναι ερεθιστικές για το αναπνευστικό σύστημα.
- δ) Χρησιμοποιείτε την μπαταρία μόνο σε συνδυασμό με το συγκεκριμένο προϊόν FERM. Αυτό το μέτρο και μόνο προστατεύει την μπαταρία από επικίνδυνη υπερφόρτωση.
- ε) Η μπαταρία μπορεί να υποστεί ζημιά από μυτερά αντικείμενα όπως καρφιά ή κατσαβίδια, ή από την άσκηση εξωτερικής δύναμης. Μπορεί να προκύψει εσωτερικό βραχυκύκλωμα και η μπαταρία μπορεί να καεί, να αναδίδει καπνό, να εκραγεί ή να υπερθερμανθεί.

## ΠΡΟΕΙΔΟΠΟΙΗΣΕΙΣ ΑΣΦΑΛΕΙΑΣ ΓΙΑ ΤΟΝ ΦΟΡΤΙΣΤΗ

Φορτίζετε τα επαναφορτιζόμενου τύπου πακέτα μπαταριών με το καλώδιο USB. Άλλοι τύποι μπαταριών μπορεί να εκραγούν προξενώντας τραυματισμό και ζημιά.

- α) Η συσκευή δεν προορίζεται για χρήση από άτομα (περιλαμβανομένων παιδιών) με μειωμένες σωματικές, αισθητηριακές ή διανοητικές ικανότητες, ή με έλλειψη πείρας και γνώσης, εκτός αν αυτά τα άτομα έχουν λάβει επίβλεψη ή καθοδήγηση.
- β) Τα παιδιά πρέπει να βρίσκονται υπό επίβλεψη ώστε να μην παίζουν με τη συσκευή.

- γ) Μην επαναφορτίζετε μη επαναφορτιζόμενες μπαταρίες!
- δ) Κατά τη φόρτιση, οι μπαταρίες πρέπει να είναι τοποθετημένες σε καλά αεριζόμενη περιοχή!

## Ασφάλεια χρήσης ηλεκτρικού ρεύματος

- Μη φορτίζετε τα πακέτα μπαταριών αν έχει υποστεί ζημιά το καλώδιο USB.

- 1) Ασφάλεια στον χώρο εργασίας
  - α) Διατηρείτε τον χώρο εργασίας καθαρό και καλά φωτισμένο. Οι ατακτοποιήτοι ή σκοτεινοί χώροι γίνονται αιτίες ατυχημάτων.
  - β) Μη χρησιμοποιείτε ηλεκτρικά εργαλεία σε περιβάλλον όπου υπάρχει κίνδυνος έκρηξης, όπως λόγω παρουσίας εύφλεκτων υγρών, αερίων ή σκόνης. Τα ηλεκτρικά εργαλεία παράγουν σπινθήρες που μπορεί να προκαλέσουν ανάφλεξη της σκόνης ή των αναθυμιάσεων.
  - γ) Όταν χρησιμοποιείτε ηλεκτρικό εργαλείο, κρατάτε μακριά τα παιδιά και άλλα άτομα. Παράγοντες που αποσπούν την προσοχή μπορεί να σας κάνουν να χάσετε τον έλεγχο.
- 2) Ασφάλεια χρήσης ηλεκτρικού ρεύματος
  - α) Τα φισ των ηλεκτρικών εργαλείων πρέπει να ταιριάζουν στην πρίζα. Σε καμία περίπτωση μην τροποποιήσετε το φισ, με κανένα τρόπο. Μη χρησιμοποιείτε φισ προσαρμογής με γειωμένα ηλεκτρικά εργαλεία. Τα φισ που δεν έχουν υποστεί τροποποιήσεις και οι κατάλληλες πρίζες μειώνουν τον κίνδυνο ηλεκτροπληξίας.
  - β) Αποφεύγετε την επαφή του σώματός σας με γειωμένες επιφάνειες, όπως σωλήνες, καλοριφέρ, κουζίνες και ψυγεία. Υπάρχει αυξημένος κίνδυνος ηλεκτροπληξίας αν το σώμα σας είναι γειωμένο.
  - γ) Μην εκθέτετε τα ηλεκτρικά εργαλεία σε βροχή ή υγρές συνθήκες. Η διείσδυση νερού σε ένα ηλεκτρικό εργαλείο αυξάνει τον κίνδυνο ηλεκτροπληξίας.
  - δ) Μην κακομεταχειρίζεστε το καλώδιο. Ποτέ μη χρησιμοποιείτε το καλώδιο για να μεταφέρετε το ηλεκτρικό εργαλείο, να το τραβήξετε ή να το αποσυνδέσετε από την πρίζα. Κρατάτε το καλώδιο μακριά από θερμότητα, λάδια, αιχμηρά άκρα ή κινούμενα μέρη. Τα καλώδια που έχουν

υποστεί ζημιά ή είναι μπερδεμένα αυξάνουν τον κίνδυνο ηλεκτροπληξίας.

- ε) **Όταν εργάζεστε με ηλεκτρικό εργαλείο σε εξωτερικούς χώρους, χρησιμοποιείτε πάντοτε καλώδιο προέκτασης κατάλληλο για εργασία σε εξωτερικούς χώρους.** Η χρήση καλωδίου κατάλληλου για εργασία σε εξωτερικούς χώρους μειώνει τον κίνδυνο ηλεκτροπληξίας.
- στ) **Αν είναι αναπόφευκτη η χρήση ηλεκτρικού εργαλείου σε τοποθεσία με υψηλή υγρασία, χρησιμοποιήστε παροχή που προστατεύεται από διάταξη προστασίας από ρεύμα διαρροής (RCD).** Η χρήση διάταξης RCD μειώνει τον κίνδυνο ηλεκτροπληξίας.

### 3) Προσωπική ασφάλεια

- α) **Όταν χρησιμοποιείτε ηλεκτρικό εργαλείο, παραμένετε σε εγρήγορση, συγκεντρωμένοι στην εργασία που κάνετε, και χρησιμοποιείτε την κοινή λογική. Μη χρησιμοποιείτε ηλεκτρικό εργαλείο εάν είστε κουρασμένος(-η) ή υπό την επήρεια ναρκωτικών, αλκοόλ ή φαρμακευτικής αγωγής.** Μια στιγμή απροσεξίας κατά τη χρήση ηλεκτρικών εργαλείων μπορεί να επιφέρει σοβαρό τραυματισμό.
- β) **Χρησιμοποιείτε ατομικό εξοπλισμό προστασίας. Φοράτε πάντα εξοπλισμό προστασίας των ματιών.** Ο εξοπλισμός προστασίας, όπως μάσκα κατά της σκόνης, αντιολισθητικά υποδήματα ασφαλείας, κράνος ή προστατευτικά ακοής, όταν χρησιμοποιείται για τις κατάλληλες συνθήκες, θα μειώσει τους τραυματισμούς και τις σωματικές βλάβες.
- γ) **Αποτρέψτε την αθέλητη εκκίνηση. Βεβαιωθείτε ότι ο διακόπτης βρίσκεται στη θέση απενεργοποίησης πριν συνδέσετε το εργαλείο στην πηγή ρεύματος και/ή τοποθετήσετε το πακέτο μπαταριών, καθώς και πριν πάρετε στα χέρια σας ή μεταφέρετε το εργαλείο.** Η μεταφορά ηλεκτρικών εργαλείων με το δάκτυλο πάνω στο διακόπτη λειτουργίας ή η τροφοδότηση με ρεύμα ηλεκτρικών εργαλείων που έχουν ενεργοποιημένο το διακόπτη λειτουργίας είναι ενέργειες που προκαλούν ατυχήματα.
- δ) **Πριν θέσετε το ηλεκτρικό εργαλείο σε λειτουργία, αφαιρέστε τυχόν εργαλεία ή κλειδιά ρύθμισης.** Αν παραμείνει

εργαλείο ή κλειδί ρύθμισης συνδεδεμένο σε περιστρεφόμενο εξάρτημα του ηλεκτρικού εργαλείου, αυτό μπορεί να έχει ως αποτέλεσμα τραυματισμό ατόμων.

- ε) **Μην τεντώνετε υπερβολικά. Διατηρείτε πάντα σταθερή στήριξη στα πόδια σας και καλή ισορροπία.** Έτσι θα έχετε καλύτερο έλεγχο του ηλεκτρικού εργαλείου σε μη αναμενόμενες καταστάσεις.
- στ) **Φοράτε κατάλληλο ρουχισμό. Μη φοράτε φαρδιά ρούχα ούτε κοσμήματα. Κρατάτε τα μαλλιά, τα ρούχα και τα γάντια σας μακριά από κινούμενα μέρη.** Τα φαρδιά ρούχα, τα κοσμήματα και τα μακριά μαλλιά μπορούν να πιαστούν σε κινούμενα μέρη.
- ζ) **Αν παρέχονται διατάξεις για τη σύνδεση συστημάτων απομάκρυνσης και συλλογής της σκόνης, βεβαιωθείτε ότι αυτές είναι συνδεδεμένες και χρησιμοποιούνται σωστά.** Η χρήση διατάξεων συλλογής της σκόνης μπορεί να μειώσει τους κινδύνους που προέρχονται από τη σκόνη.
- η) **Μην αφήνετε την εξοικείωση που έχετε αποκτήσει από τη συχνή χρήση εργαλείων να σας επιτρέψει να εφησυχάσετε και να αγνοήσετε τις αρχές ασφαλούς χρήσης των εργαλείων.** Μια απρόσεκτη ενέργεια μπορεί να προκαλέσει βαρύ τραυματισμό μέσα σε κλάσματα του δευτερολέπτου.
- ### 4) Χρήση και φροντίδα του ηλεκτρικού εργαλείου
- α) **Μην ασκείτε υπερβολική δύναμη στο ηλεκτρικό εργαλείο. Χρησιμοποιείτε το σωστό ηλεκτρικό εργαλείο για την εφαρμογή σας.** Το σωστό ηλεκτρικό εργαλείο θα εκτελέσει την εργασία καλύτερα και ασφαλέστερα, με την ένταση χρήσης για την οποία σχεδιάστηκε.
- β) **Μη χρησιμοποιείτε το ηλεκτρικό εργαλείο αν ο διακόπτης του δεν μπορεί να το ενεργοποιήσει και απενεργοποιήσει.** Οποιοδήποτε ηλεκτρικό εργαλείο δεν μπορεί να ελεγχθεί μέσω του διακόπτη του είναι επικίνδυνο και πρέπει να επισκευαστεί.
- γ) **Αποσυνδέστε το φως από την πηγή ρεύματος και/ή το πακέτο μπαταριών από το ηλεκτρικό εργαλείο πριν διεξαγάγετε οποιαδήποτε ρύθμιση ή αλλαγή αξεσουάρ, ή όταν πρόκειται να αποθηκεύσετε το ηλεκτρικό εργαλείο.** Αυτού του είδους τα

μέτρα ασφαλείας ελαττώνουν τον κίνδυνο τυχαίας θέσης σε λειτουργία του ηλεκτρικού εργαλείου.

δ) **Φυλάσσετε μακριά από παιδιά τα ηλεκτρικά εργαλεία που δεν χρησιμοποιείτε. Μην αφήνετε να χρησιμοποιήσουν το ηλεκτρικό εργαλείο άτομα που δεν είναι εξοικειωμένα με αυτό ή άτομα που δεν έχουν διαβάσει αυτές τις οδηγίες χρήσης.** Τα ηλεκτρικά εργαλεία είναι επικίνδυνα στα χέρια μη εκπαιδευμένων χρηστών.

ε) **Συντηρείτε τα ηλεκτρικά εργαλεία. Ελέγχετε για προβλήματα ευθυγράμμισης ή για μάγκωμα των κινούμενων εξαρτημάτων, θραύση εξαρτημάτων, καθώς και για οποιοδήποτε άλλο πρόβλημα μπορεί να επηρεάσει τη λειτουργία των ηλεκτρικών εργαλείων. Αν το ηλεκτρικό εργαλείο έχει υποστεί ζημιά, φροντίστε να επισκευαστεί πριν το χρησιμοποιήσετε.** Η ανεπαρκής συντήρηση των ηλεκτρικών εργαλείων αποτελεί αιτία πολλών ατυχημάτων.

στ) **Διατηρείτε τα κοπτικά εργαλεία κοφτερά και καθαρά.** Τα κοπτικά εργαλεία με κοφτερές κοπτικές αιχμές που συντηρούνται σωστά έχουν λιγότερες πιθανότητες να μαγκώσουν και ελέγχονται ευκολότερα.

ζ) **Χρησιμοποιείτε το ηλεκτρικό εργαλείο, τα αξεσουάρ και τις μύτες των εργαλείων κλπ. σύμφωνα με τις παρούσες οδηγίες, λαμβάνοντας υπόψη σας τις συνθήκες εργασίας και την εργασία που θέλετε να εκτελέσετε.** Η χρήση του ηλεκτρικού εργαλείου για εργασίες διαφορετικές από τις προβλεπόμενες θα μπορούσε να οδηγήσει σε επικίνδυνη κατάσταση.

η) **Διατηρείτε τις λαβές και τις επιφάνειες κρατήματος στεγνές, καθαρές και απαλλαγμένες από λάδια και γράσα.** Οι ολισθηρές λαβές και επιφάνειες κρατήματος δεν επιτρέπουν τον ασφαλή χειρισμό και έλεγχο του εργαλείου σε μη αναμενόμενες καταστάσεις.

## 5) Σέρβις

α) **Αναθέστε το σέρβις του ηλεκτρικού εργαλείου σας σε εξειδικευμένο τεχνικό επισκευών που χρησιμοποιεί μόνο ανταλλακτικά ακριβώς ίδια με τα αρχικά.** Έτσι θα διασφαλιστεί ότι διατηρείται η ασφάλεια του ηλεκτρικού εργαλείου.

## Πρόσθετες οδηγίες ασφαλείας για χορτοκοπτικά:

- Διατηρείτε την περιοχή εργασίας σας καθαρή και τακτοποιημένη.
- Αποφεύγετε να χρησιμοποιείτε το κοπτικό σε βροχή ή υγρό περιβάλλον, ειδικά όταν υπάρχει κίνδυνος ηλεκτρικών φαινομένων.
- Εργάζεστε μόνο σε φως ημέρας ή με επαρκή τεχνητό φωτισμό
- Μη χρησιμοποιείτε ηλεκτρικά εργαλεία όπου υπάρχει κίνδυνος φωτιάς ή έκρηξης, δηλ. κοντά σε εύφλεκτα υγρά ή αέρια. Τα ηλεκτρικά εργαλεία παράγουν σπινθήρες, οι οποίοι μπορεί να προκαλέσουν ανάφλεξη σκόνης ή αναθυμιάσεων.
- Μη χρησιμοποιείτε ποτέ το προϊόν όταν είστε κουρασμένος(-η), άρρωστος(-η) ή υπό την επίδραση αλκοόλ, ναρκωτικών ουσιών ή φαρμάκων.
- Φοράτε πάντα μακριά βαρέος τύπου παντελόνια, μπότες και γάντια. Μη φοράτε ρούχα με χαλαρή εφαρμογή, ούτε κοσμήματα, κοντά παντελόνια ή σανδάλια, και ποτέ μην εργάζεστε ζυπόλητοι.
- Φοράτε εξοπλισμό προστασίας ματιών και ωτοασπίδες όταν χρησιμοποιείτε το μηχάνημα
- Μην τεντώνετε υπερβολικά και διατηρείτε πάντα καλή ισορροπία, πάντα να βεβαιώνεστε για καλή στήριξη στα πόδια σας σε έδαφος με κλίση και μόνο περπατάτε, ποτέ μην τρέχετε.
- Σε καμία περίπτωση μην επιτρέψετε σε παιδιά, σε άτομα με μειωμένες σωματικές, αισθητηριακές ή διανοητικές ικανότητες ή με έλλειψη εμπειρίας και γνώσης ή σε άτομα μη εξοικειωμένα με τις παρούσες οδηγίες να χρησιμοποιήσουν το μηχάνημα, τοπικό κανονισμός μπορεί να θέτουν όρια στην ηλικία του χειριστή.
- Ποτέ μη χρησιμοποιείτε αυτό το κοπτικό μηχάνημα όταν υπάρχουν κοντά άνθρωποι, ιδιαίτερα παιδιά, ή κατοικίδια ζώα
- Μην πλησιάζετε τα χέρια ή τα πόδια σας στο σύστημα κοπής.
- Ποτέ μην τοποθετήσετε μεταλλικά κοπτικά στοιχεία σε αυτό το κοπτικό.
- Ελέγχετε και συντηρείτε τακτικά το κοπτικό.
- Ποτέ μη χρησιμοποιήσετε το κοπτικό αν λείπουν ή έχουν υποστεί ζημιά προφυλακτήρες ή προστατευτικά ή χωρίς τους προφυλακτήρες ή τα προστατευτικά στη θέση τους.

- Πριν χρησιμοποιήσετε το μηχάνημα και μετά από κάποια πρόσκρουση, ελέγχετε για σημάδια φθοράς ή ζημιάς και επισκευάστε το μηχάνημα αν χρειάζεται
  - Περιμένετε να σταματήσει τελείως το νήμα κοπής πριν το αγγίξετε. Το νήμα κοπής συνεχίζει να περιστρέφεται μετά την απενεργοποίηση του κοπτικού - ένα περιστρεφόμενο νήμα μπορεί να προκαλέσει τραυματισμό.
  - Η χρήση του κοπτικού σε υγρό γρασίδι μειώνει την αποτελεσματικότητά του.
  - Απενεργοποιείτε το κοπτικό όταν το μεταφέρετε προς και από την περιοχή εργασίας.
  - Ενεργοποιείτε το μοτέρ μόνο όταν χέρια και πόδια είναι μακριά από τα κοπτικά εξαρτήματα.
  - Δώστε το κοπτικό για επισκευή μόνο σε εξουσιοδοτημένο αντιπρόσωπο εξυπηρέτησης πελατών.
  - Πάντα διασφαλίζετε ότι τα ανοίγματα αερισμού διατηρούνται καθαρά από υπολείμματα
  - Φυλάσσετε το μηχάνημα σε ένα ασφαλές, στεγνό μέρος μακριά από παιδιά. Μην τοποθετείτε άλλα αντικείμενα πάνω στο μηχάνημα
  - Μη χρησιμοποιείτε το μηχάνημα αν δεν είναι τοποθετημένο το πρόσθετο εξάρτημα νήματος
  - Μην ασκείτε υπερβολική δύναμη στη συσκευή - αφηνέτε τη να λειτουργεί με τον ρυθμό για τον οποίο έχει σχεδιαστεί.
- 5) αν το μηχάνημα παρουσιάσει μη φυσιολογικούς κραδασμούς, για άμεσο έλεγχο.
- Πάντα διασφαλίζετε ότι τα προστατευτικά είναι τοποθετημένα στο εργαλείο όταν το χρησιμοποιείτε.
  - Ελέγξτε το καλώδιο για ζημιές πριν ξεκινήσετε να εργάζεστε και αντικαταστήστε το αν χρειάζεται.
  - Ελέγχετε και συντηρείτε τακτικά το κοπτικό. Παραδίδετε το κοπτικό για επισκευή μόνο σε εξουσιοδοτημένο επισκευαστή.
  - Μετά την εκτύλιξη νέου νήματος κοπής ή την αντικατάσταση του νήματος κοπής. Πάντα επαναφέρετε το κοπτικό στην κανονική θέση λειτουργίας του πριν το ενεργοποιήσετε.
  - Επιθεωρείτε περιοδικά την κατάσταση της κεφαλής κοπής. Αν το καρούλι έχει υποστεί ζημιά, απενεργοποιήστε το μηχάνημα, αφαιρέστε το φιν από την πηγή ρεύματος και αντικαταστήστε το καρούλι.
  - Μη χρησιμοποιείτε το μηχάνημα για να κόψετε γρασίδι το οποίο δεν βρίσκεται στο έδαφος. Για παράδειγμα, μην κόβετε με το μηχάνημα γρασίδι που βρίσκεται πάνω σε τοίχους ή πέτρες.
  - Μη διασχίζετε δρόμους ή διαδρομές με χαλίκια με το μηχάνημα ακόμα σε λειτουργία.
  - Χρησιμοποιείτε το μηχάνημα μόνο σύμφωνα με τις οδηγίες που παρέχονται στο παρόν το εγχειρίδιο.
  - Μην τραβάτε το νήμα κοπής πέρα από τον προφυλακτήρα και μην χρησιμοποιείτε το κοπτικό χωρίς να έχουν εξαχθεί και τα δύο νήματα ή χωρίς να έχει εγκατασταθεί το σωστό νήμα.
  - Ελέγχετε τακτικά ότι τα παζιμάδια, τα μπουλόνια και οι βίδες είναι καλά σφιγμένα.

Ποτέ μην αντικαταστήσετε τα μη μεταλλικά κοπτικά μέσα με μεταλλικά κοπτικά μέσα.

Μην αγγίζετε κινούμενα επικίνδυνα μέρη του μηχανήματος πριν αυτό αποσυνδεθεί από το δίκτυο ρεύματος και πριν ακινητοποιηθούν τελείως τα κινούμενα επικίνδυνα μέρη του. Φοράτε πάντα υποδήματα βαρέος τύπου και μακρύ παντελόνι κατά τη χρήση του μηχανήματος. Αποσυνδέετε την παροχή (π.χ. αφαιρέστε το φιν από την πρίζα ή αφαιρέστε τη διάταξη αδρανοποίησης):

- 1) όταν το μηχάνημα παραμένει χωρίς επιτήρηση από τον χρήστη,
- 2) πριν καθαρίσετε έμφραξη,
- 3) πριν τον έλεγχο, τον καθαρισμό ή την εργασία στο μηχάνημα,
- 4) μετά από χτύπημα ξένου αντικειμένου, για να επιθεωρήσετε το μηχάνημα για ζημιές,

### Υπολειπόμενοι κίνδυνοι

Ακόμα και αν το ηλεκτρικό εργαλείο χρησιμοποιείται όπως προβλέπεται, δεν είναι εφικτή η εξάλειψη όλων των υπολειπόμενων παραγόντων κινδύνου. Οι ακόλουθοι κίνδυνοι μπορεί να προκύψουν σε σύνδεση με την κατασκευή και το σχεδιασμό του ηλεκτρικού εργαλείου:

- α) Βλάβες στην υγεία που προκύπτουν από την εκπομπή κραδασμών σε περίπτωση που το ηλεκτρικό εργαλείο χρησιμοποιείται για

παρατεταμένο χρόνο ή δεν γίνεται επαρκής διαχείριση και σωστή συντήρησή του.

- β) Τραυματισμοί και υλικές ζημιές λόγω εκτόξευσης θραυσμάτων από σπασμένα αξεσουάρ.



**Προειδοποίηση!** Αυτό το ηλεκτρικό εργαλείο παράγει ηλεκτρομαγνητικό πεδίο κατά τη λειτουργία του. Αυτό το πεδίο μπορεί υπό ορισμένες συνθήκες να προκαλέσει παρεμβολές στη λειτουργία ενεργών ή παθητικών ιατρικών εμφυτευμάτων. Για τη μείωση του κινδύνου σοβαρής ή θανατηφόρου βλάβης της υγείας, συνιστούμε τα άτομα με ιατρικά εμφυτεύματα να συμβουλευτούν το γιατρό τους και τον κατασκευαστή του ιατρικού εμφυτεύματος πριν τη χρήση αυτού του ηλεκτρικού εργαλείου.

## 2. ΠΛΗΡΟΦΟΡΙΕΣ ΓΙΑ ΤΟ ΠΡΟΪΟΝ

### Προβλεπόμενη χρήση

Αυτό το χορτοκοπτικό προορίζεται για χρήση σε εξωτερικούς χώρους, για κούρεμα και κοπή χόρτων και γκαζόν σε ιδιωτικούς κήπους και κήπους χόμπι. Το προϊόν έχει σχεδιαστεί για να κόβει γρασίδι, λεπτά χόρτα και άλλη παρόμοια βλάστηση στο επίπεδο του εδάφους ή κοντά σε αυτό. Το κοπτικό δεν πρέπει να χρησιμοποιείται για την κοπή ή το κούρεμα φυτικών φραχτών, θάμνων ή άλλης βλάστησης όπου το επίπεδο κοπής δεν βρίσκεται στο επίπεδο του εδάφους ή κοντά σε αυτό. Μη χρησιμοποιείτε το κοπτικό για σκοπούς τεμαχισμού ή κομποστοποίησης.

### Τεχνικές προδιαγραφές

<b>Αρ. μοντέλου</b>	<b>GTM1008</b>
Τάση:	12 V ==
Ταχύτητα χωρίς φορτίο:	9.000/min
Συνιστώμενη μπαταρία:	CDA1192 12 V DC - 1,5 Ah
Πλάτος κοπής	220 mm
Σύστημα κοπής	καρούλι 2 νημάτων, με μηχανισμό "Tap and go" Ø1,2 mm x 4 m
Βάρος:	1,4 kg
Στάθμη ηχητικής πίεσης:	LPA:71,3 dB(A) K=3 dB(A)
Στάθμη ηχητικής ισχύος:	LWA:88,3 dB(A) K=1,32 dB(A)
<b>Κραδασμοί:</b>	
Πίσω λαβή	2,63 m/s <sup>2</sup>
Μπροστινή λαβή	1,24 m/s <sup>2</sup> K=1,5 m/s <sup>2</sup>

<b>Αρ. μοντέλου</b>	<b>CDA1192</b>
Τύπος μπαταρίας:	Ιόντων λιθίου
Τάση:	12 V
Χωρητικότητα:	1,5 Ah
Συνιστώμενος φορτιστής:	USB (5 V 1-2 A)
Βάρος:	0,18 kg

Χρησιμοποιείτε μόνο τις ακόλουθες μπαταρίες της πλατφόρμας μπαταριών AX-POWER 12V. Η χρήση οποιωνδήποτε άλλων μπαταριών θα μπορούσε να προκαλέσει σοβαρό τραυματισμό ή ζημιά στο εργαλείο. CDA1192 12 V, 1,5 Ah ιόντων λιθίου (συμπεριλαμβάνεται)

Οι μπαταρίες της πλατφόρμας μπαταριών AX-POWER 12V μπορούν να συνδέονται με όλα τα εργαλεία της πλατφόρμας μπαταριών FERM AX-POWER 12V

### Στάθμη κραδασμών

Η στάθμη εκπομπής κραδασμών που αναφέρεται στο παρόν εγχειρίδιο οδηγιών έχει μετρηθεί σύμφωνα με την τυποποιημένη δοκιμή που αναφέρεται στα πρότυπα EN 60335-1 και EN 50636-2-91. Μπορεί να χρησιμοποιηθεί για τη σύγκριση ενός εργαλείου με άλλο και ως προκαταρκτική εκτίμηση της έκθεσης σε κραδασμούς κατά τη χρήση του εργαλείου για τις αναφερόμενες εφαρμογές.

- χρήση του εργαλείου για άλλες εφαρμογές ή με διαφορετικά ή κακοσυντηρημένα αξεσουάρ μπορεί να επηρεάσει σημαντικά το επίπεδο έκθεσης.
- τα διαστήματα που το εργαλείο είναι απενεργοποιημένο ή είναι ενεργοποιημένο χωρίς να εκτελεί εργασία, μπορούν να μειώσουν σημαντικά το επίπεδο έκθεσης.

Προστατευτείτε έναντι των επιδράσεων των κραδασμών συντηρώντας το εργαλείο και τα αξεσουάρ του, διατηρώντας τα χέρια σας ζεστά και οργανώνοντας τα σχήματα εργασίας σας

### ΠΕΡΙΓΡΑΦΗ

Οι αριθμοί στο κείμενο αναφέρονται στα διαγράμματα στις σελίδες 2-4.

1. Λαβή με μαλακή επιφάνεια κρατήματος
2. Διακόπτης ενεργοποίησης/ απενεργοποίησης (on/off)
3. Διακόπτης ασφαλείας

4. Ένδειξη μπαταρίας
5. Μπροστινή λαβή
6. Κύριο περίβλημα
7. Προστατευτικός προφυλακτήρας
8. Προστατευτική μπάρα
9. Περιβλήμα καρουλιού
10. Μπαταρία
11. Βίδες περιβλήματος
12. Βίδα προστατευτικού προφυλακτήρα
13. Συγκρότημα καρουλιού
14. Ελατήριο
15. Περιβλήμα καρουλιού
16. Κουμπιά απελευθέρωσης μπαταρίας
17. Καλώδιο φόρτισης
18. Ένδειξη φόρτισης

### 3. ΣΥΝΑΡΜΟΛΟΓΗΣΗ



*Πριν από οποιαδήποτε εργασία στο ηλεκτρικό εργαλείο, αφαιρείτε την μπαταρία*



*Η μπαταρία πρέπει να φορτιστεί πριν την πρώτη χρήση.*

#### Αφαίρεση της μπαταρίας από το μηχάνημα (Εικ. D)

- Πιέστε τα κουμπιά απελευθέρωσης μπαταρίας (16) και τραβήξτε την μπαταρία έξω από το μηχάνημα (1).

#### Εισαγωγή της μπαταρίας στο μηχάνημα (Εικ. C)



*Βεβαιωθείτε ότι η μπαταρία είναι εξωτερικά καθαρή και στεγνή, πριν τη συνδέσετε στον φορτιστή ή στο μηχάνημα.*

- Εισάγετε την μπαταρία (10) στη βάση του (1) μηχανήματος.
- Σπρώξτε την μπαταρία προς τα εμπρός μέχρι να ασφαλίσει στη θέση της με ήχο κλικ.

#### Φόρτιση της μπαταρίας (με τον φορτιστή) (Εικ. E)

- Συνδέστε τον σύνδεσμο USB-C του καλωδίου φόρτισης (17) στην μπαταρία (10).
- Συνδέστε τον σύνδεσμο USB-A του καλωδίου φόρτισης σε ένα τροφοδοτικό USB (δεν συμπεριλαμβάνεται). Εναλλακτικά, μπορεί

να χρησιμοποιηθεί για πηγή ενέργειας, για παράδειγμα, μια εξωτερική μπαταρία (power bank) ή ένα λάμπτοπ.

- Η ενδεικτική λυχνία φόρτισης (18) θα ανάψει δείχνοντας την κατάσταση φόρτισης.

#### Ενδεικτική λυχνία LED (7) Εικ. E

Η μπαταρία έχει 1 ενδεικτική λυχνία LED (18) που δείχνει την κατάσταση της διαδικασίας φόρτισης:

LED	Κατάσταση φόρτισης
Κόκκινη	Φόρτιση μπαταρίας σε εξέλιξη
Πράσινη	Φόρτιση μπαταρίας τελείωσε, μπαταρία πλήρως φορτισμένη

Αφού φορτιστεί πλήρως η μπαταρία, αφαιρέστε το φως του φορτιστή από την πρίζα και αποσυνδέστε το καλώδιο φόρτισης από την μπαταρία.



*Όταν το μηχάνημα δεν χρησιμοποιείται για μεγάλη χρονική περίοδο, το καλύτερο είναι να φυλάσσετε την μπαταρία σε φορτισμένη κατάσταση.*



*Πριν τη χρήση, πάντα επιθεωρείτε οπτικά για να βεβαιωθείτε ότι οι λεπίδες, τα μπουλόνια λεπίδων και το συγκρότημα κοπής δεν έχουν υποστεί φθορά ή ζημιά.*



*Προειδοποίηση! Δεν επιτρέπεται να χρησιμοποιήσετε το χορτοκοπτικό χωρίς τον προστατευτικό προφυλακτήρα.*

#### Τοποθέτηση του προστατευτικού προφυλακτήρα (Εικ. C1)

- Τοποθετήστε τον προστατευτικό προφυλακτήρα (7) στην κεφαλή του μηχανήματος όπως δείχνει η Εικόνα C1.
- Στερεώστε τον προφυλακτήρα χρησιμοποιώντας την παρεχόμενη βίδα (12)
- Εισάγετε την προστασία (8) στις εγχοπές στη βάση (6).



*Ποτέ μην επιχειρήσετε να αφαιρέσετε τον προφυλακτήρα.*

#### Τοποθέτηση των περιβλημάτων (Εικ. B)

- Εισαγάγετε την μπροστινή λαβή (5) στο μεσαίο περίβλημα (6).
- Εισάγετε τα τρία μέρη του κύριου περιβλήματος το ένα μέσα στο άλλο ώστε να εφαρμόσουν

καλά. Βεβαιωθείτε ότι οι σπές βιδών ευθυγραμμίζονται.

- Βιδώστε τις βίδες περιβλήματος (11) στις τέσσερις εγκοπές για να συναρμολογήσετε το κύριο περίβλημα (6).



*Πριν αντικαταστήσετε το καρουλί, καθαρίστε το μηχάνημα από τυχόν ακαθαρσίες.*

#### **Αντικατάσταση του καρουλιού (Εικ. C2)**

- Αφαιρέστε το συγκρότημα καρουλιού (13) αλλά αφήστε το ελατήριο (14) μέσα.
- Πάρτε το ανταλλακτικό συγκρότημα καρουλιού και τοποθετήστε το πάνω από το ελατήριο (14).
- Στερεώστε το συγκρότημα καρουλιού περιστρέφοντας το καρούλι σφιχτά μέσα στο περίβλημα καρουλιού.

## **4. ΧΡΗΣΗ**

#### **Χρήση του συστήματος "Tap and go" (Εικ. C2)**

- Όταν το καλώδιο είναι πολύ κοντό, ενεργοποιήστε το μηχάνημα και πιέστε το άκρο του συγκροτήματος καρουλιού (13) στο έδαφος (βεβαιωθείτε ότι αυτό θα γίνει πάνω σε σκληρή επιφάνεια).
- Με αυτό τον τρόπο θα απελευθερωθεί και θα επιμηκυνθεί το εκτεθειμένο νήμα.
- Το νήμα θα κοπεί αυτόματα στο σωστό μήκος από τη λεπίδα που είναι τοποθετημένη στον προστατευτικό προφυλακτήρα (7).

#### **Χρήση του χορτοκοπτικού σας**

- Για τη δική σας ασφάλεια και για τα καλύτερα αποτελέσματα, διαβάστε τις παρακάτω συμβουλές χρήσης και μη χρησιμοποιείτε αυτό το προϊόν για οτιδήποτε άλλο εκτός από τους προβλεπόμενους σκοπούς του.
- Αυτό το χορτοκοπτικό έχει σχεδιαστεί για την κοπή γρασιδιού. Κάθε άλλη χρήση που δεν επιτρέπεται ρητά σε αυτό το εγχειρίδιο μπορεί να έχει ως συνέπεια ζημιά στο χορτοκοπτικό ή τραυματισμό του χρήστη.
- Βεβαιωθείτε ότι η περιοχή εργασίας είναι απαλλαγμένη από πέτρες, υπολείμματα, καλώδια και άλλα αντικείμενα.
- Θέστε σε λειτουργία το εργαλείο πριν πλησιάσετε το γρασίδι του πρόκειται να κοπεί.

- Κόψτε το γρασίδι με ταλάντωση του εργαλείου από δεξιά προς τα αριστερά και συνεχίστε αργά κρατώντας το κοπτικό κεκλιμένο με κλίση περίπου 30 μοιρών προς τα εμπρός.
- Το ψηλό γρασίδι πρέπει να κόβεται σταδιακά, ξεκινώντας πάντα από την κορυφή. Μην κόβετε υγρό ή βρεγμένο γρασίδι. Μην υπερφορτώνετε το εργαλείο.

#### **Χαρακτηριστικά ασφαλείας**

- Ο προστατευτικός προφυλακτήρας έχει ένα μαχαίρι για την κοπή του νήματος στο σωστό μήκος. Μην αγγίζετε το μαχαίρι, για να μειώσετε την πιθανότητα τραυματισμού σας.
- Αποσυνδέστε το κοπτικό από την πηγή τροφοδοσίας του κατά τη μεταφορά του μηχανήματος, για να αποφύγετε την ακούσια ενεργοποίηση του μηχανήματος κατά τη μεταφορά.

#### **Ενεργοποίηση και απενεργοποίηση**

- Για να ενεργοποιήσετε το κοπτικό, πατήστε τον διακόπτη ασφαλείας (3) και κατόπιν πατήστε τον διακόπτη on/off (2)
- Για απενεργοποίηση, ελευθερώστε τον διακόπτη on/off (2)

## **5. ΣΥΝΤΗΡΗΣΗ**



*Πριν τον καθαρισμό και τη συντήρηση, πάντα απενεργοποιείτε το μηχάνημα και αφαιρείτε το πακέτο μπαταριών*

Τα μηχανήματα έχουν σχεδιαστεί να λειτουργούν για μεγάλη χρονική περίοδο με ελάχιστη απαίτηση συντήρησης. Η συνεχής ικανοποιητική λειτουργία εξαρτάται από τη σωστή φροντίδα και τον τακτικό καθαρισμό της συσκευής.

- Απενεργοποιήστε την τροφοδοσία και αφαιρέστε την μπαταρία, πριν καθαρίσετε και φυλάξετε το μηχάνημα.
- Το μηχάνημα δεν χρειάζεται πρόσθετη λίπανση.
- Καθαρίστε το περίβλημα και άλλα μέρη του μηχανήματος με ένα ήπιο καθαριστικό και ελαφρά υγρό πανί.
- Μη χρησιμοποιείτε ποτέ δραστικά καθαριστικά ή διαλύτες.
- Αποτρέψτε την είσοδο νερού στο μηχάνημα.

- Μην αφήνετε το κοπτικό να στηρίζεται στο πάτωμα για μεγάλα διαστήματα, επειδή αυτό θα μπορούσε να προκαλέσει αλλοίωση του σχήματος του προφυλακτήρα, θέτοντας σε κίνδυνο την ασφάλεια του χρήστη. Αν είναι δυνατόν, φυλάσσετε το μηχάνημα σε οριζόντια θέση.

### Καθαρισμός

Καθαρίζετε τα περιβλήματα του μηχανήματος τακτικά με ένα μαλακό πανί, κατά προτίμηση μετά από κάθε χρήση. Βεβαιώνετε ότι τα ανοίγματα αερισμού είναι ελεύθερα από σκόνη και ακαθαρσίες. Αφαιρείτε κάθε επίμονη ακαθαρσία με τη χρήση ενός μαλακού πανιού που έχειτε υγράνει ελαφρά με διάλυμα απορρυπαντικού. Μη χρησιμοποιείτε οποιονδήποτε διαλύτη όπως βενζίνη, οινόπνευμα, αμμωνία κλπ. Τα χημικά αυτού του είδους θα προξενήσουν ζημιά στα συνθετικά εξαρτήματα.

## ΠΕΡΙΒΑΛΛΟΝ



*Το σύμβολο διαγραμμένου τροχήλατου κάδου σημαίνει ότι το προϊόν αυτό δεν πρέπει να απορρίπτεται στα κοινά οικιακά απορρίμματα. Ο ηλεκτρονικός και ηλεκτρικός εξοπλισμός που δεν συμπεριλαμβάνεται στη διαδικασία της επιλεκτικής διαλογής είναι δυνητικά επικίνδυνος για το περιβάλλον και την ανθρώπινη υγεία λόγω της παρουσίας επικίνδυνων ουσιών. Παρακαλούμε να τον απορρίψετε με υπεύθυνο τρόπο σε εγκεκριμένη εγκατάσταση απόρριψης αποβλήτων ή ανακύκλωσης.*

### Μόνο για χώρες ΕΚ

Μην απορρίπτετε τα ηλεκτρικά εργαλεία στα οικιακά απορρίμματα. Σύμφωνα με την Ευρωπαϊκή οδηγία 2012/19/ΕΚ περί αποβλήτων ηλεκτρικού και ηλεκτρονικού εξοπλισμού και την εφαρμογή της στο εθνικό δίκαιο, τα ηλεκτρικά εργαλεία που δεν μπορούν να χρησιμοποιηθούν πλέον πρέπει να συλλέγονται ξεχωριστά και να απορρίπτονται με τρόπο φιλικό προς το περιβάλλον.

## ΕΓΓΥΗΣΗ

Τα προϊόντα FERM αναπτύσσονται σύμφωνα με τα υψηλότερα πρότυπα ποιότητας και είναι εγγυημένα απαλλαγμένα από ελαττώματα στα υλικά και στην εργασία για την περίοδο που ορίζεται σύμφωνα με το νόμο και αρχίζει από την ημερομηνία της αρχικής αγοράς. Σε περίπτωση που το προϊόν κατά την περίοδο αυτή παρουσιάσει οποιαδήποτε αστοχία λόγω ελαττώματος υλικού και/ή εργασίας, τότε απευθυνθείτε απευθείας στον τοπικό σας αντιπρόσωπο FERM.

Οι ακόλουθες περιπτώσεις δεν καλύπτονται από την παρούσα εγγύηση:

- Επίσκευές και/ή τροποποιήσεις που έγιναν ή επιχειρήθηκαν στο μηχάνημα από μη εξουσιοδοτημένα κέντρα σέρβις.
- Φυσιολογική φθορά.
- Το εργαλείο έχει υποβληθεί σε κακομεταχείριση, κακή χρήση ή ακατάλληλη συντήρηση.
- Έχουν χρησιμοποιηθεί μη γνήσια ανταλλακτικά

Αυτή αποτελεί τη μοναδική εγγύηση, είτε ρητή είτε υπονοούμενη, που παρέχει η εταιρεία. Στο παρόν έγγραφο δεν υπάρχουν άλλες εγγυήσεις ρητές ή υπονοούμενες οι οποίες εκτείνονται πέραν της παρουσιαζόμενης στο παρόν, επομένως ούτε οι υπονοούμενες εγγυήσεις εμπορευσιμότητας και καταλληλότητας για συγκεκριμένη χρήση. Σε καμία περίπτωση η FERM δεν θα είναι υπεύθυνη για οποιεσδήποτε θετικές ή αποθετικές ζημίες. Οι επανορθώσεις από μέρους των αντιπροσώπων θα περιορίζονται σε επισκευή ή αντικατάσταση των μη συμμορφούμενων μονάδων ή εξαρτημάτων.

**Το προϊόν και το εγχειρίδιο χρήστη υπόκεινται σε αλλαγή. Οι προδιαγραφές μπορεί να αλλάξουν χωρίς άλλη ειδοποίηση.**



## ŠIŠAČ TRAVE GTM1008

### Zahvaljujemo na kupnji ovog proizvoda tvrtke Ferm.

Dobili ste sjajan proizvod jednog od vodećih europskih dobavljača. Svi proizvodi tvrtke Ferm proizvedeni su sukladno najvišim standardima učinkovitosti i sigurnosti. Naša je filozofija pružanje sjajne usluge, koju prati naše sveobuhvatno jamstvo. Nadamo se da ćete godinama uživati u upotrebi ovog proizvoda.

## 1. SIGURNOSNE UPUTE



**Pročitajte priložena sigurnosna upozorenja, dodatna sigurnosna upozorenja i upute.** Nepoštivanje sigurnosnih upozorenja i uputa može rezultirati strujnim udarom, požarom i/ili ozbiljnim ozljedama. **Sigurnosna upozorenja i upute čuvajte za buduće potrebe.**

Sljedeći simboli upotrebljavaju se u ovom priručniku ili na proizvodu:



Pročitajte korisnički priručnik.



Označava rizik od tjelesne ozljede, smrti ili oštećenja uređaja u slučaju nepridržavanja uputa iz ovog priručnika.



Opasnost od strujnog udara.



Rizik od letećih predmeta. Druge osobe držite podalje od mjesta rada.



Nosite zaštitne naočale i zaštitu za sluh.



Opasnost – Držite ruke daleko od pokretnih dijelova.



Pazite na leteće predmete koju idu na promatrače. Promatrače držite na sigurnoj udaljenosti od stroja.



Ne izlažite kiši.



Razina zvučne snage



Maks. temperatura 40°C



Nemojte bacati bateriju u vatru.



Zasebno odlaganje litij-ionske baterije.



Nemojte odlagati proizvod u neprikladne spremnike.



Proizvod je u skladu s primjenjivim sigurnosnim normama europskih direktiva.

## OPĆA SIGURNOSNA UPOZORENJA



**UPOZORENJE! Pročitajte sva sigurnosna upozorenja i upute.**

Nepoštivanje upozorenja i uputa može rezultirati strujnim udarom, požarom i/ili ozbiljnim ozljedama. Izraz "električni alat" u upozorenjima odnosi se na vaš električni alat napajan iz gradske mreže (sa žicom) ili električni alat napajan baterijom (bez žice).

### Upozorenja i upute čuvajte za buduće potrebe.

Izraz "električni alat" u upozorenjima odnosi se na vaš električni alat napajan iz gradske mreže (sa žicom) ili električni alat napajan baterijom (bez žice).

## SIGURNOSNA UPOZORENJA ZA BATERIJU

- Bateriju nemojte otvarati.** Postoji opasnost od nastanka kratkog spoja.
- Bateriju zaštitite od vrućine, izravnog sunčevog svjetla, vatre, vode i vlage.** Opasnost od eksplozije.
- U slučaju oštećenja ili nepravilne upotrebe baterije može doći do isparavanja njezinog sadržaja. Ako dođe do poteškoća, prozračite prostor i zatražite pomoć liječnika.** Isparavanje iz baterije mogu iritirati dišni sustav.

- d) **Bateriju upotrebljavajte samo uz FERM proizvod.** Ova mjera opreza štiti bateriju od opasnog preopterećenja.
- e) **Bateriju mogu oštetiti šiljati predmeti kao što su čavli, odvijači te primjena sile.** Može doći do kratkog spoja unutar baterije, koja se može zapaliti, eksplodirati ili pregrijati.

## SIGURNOSNA UPOZORENJA ZA PUNJAČ

Punite punjive baterije USB kabelom, druge vrste baterija mogu se rasprsnuti i izazvati ozljede i oštećenje.

- a) **Ovaj uređaj nije predviđen za uporabu od strane osoba (uključujući djecu) sa smanjenim fizičkim, osjetilnim ili mentalnim sposobnostima ili nedostatnim iskustvom i znanjem, osim ako su pod nadzorom ili su primila upute.**
  - b) **Djeca moraju biti pod nadzorom i ne smiju se igrati uređajem.**
  - c) **Nemojte puniti baterije koje za to nisu predviđene!**
  - d) **Baterije tijekom punjenja trebaju biti na dobro prozračenom mjestu!**
- b) **Izbjegavajte tjelesni kontakt s uzemljenim površinama kao što su cijevi, radijatori, kuhala i hladnjaci.** Postoji povećani rizik od električnog udara ako je vaše tijelo uzemljeno.
  - c) **Električne alate ne izlažite kiši ni vlazi.** Prodiranje vode u električni alat povećat će rizik od električnog udara.
  - d) **Kabel ne upotrebljavajte za nepredviđene namjene. Kabel nikad ne upotrebljavajte za nošenje, povlačenje ili odvajanje utikača električnog alata iz električne utičnice. Kabel držite podalje od izvora topline, ulja i oštih ili pokretnih dijelova.** Oštećeni ili zapleteni kabel povećat će rizik od električnog udara.
  - e) **Prilikom rada s električnim alatom na otvorenom prostoru upotrijebite produžni kabel koji je za to predviđen.** Upotreba produžnog kabela koji je pogodan za upotrebu na otvorenom smanjuje rizik od strujnog udara.
  - f) **Ako nije moguće izbjeći upotrebu električnog alata u vlažnim uvjetima, upotrijebite napajanje s diferencijalnom sklopkom za zaštitu od neispravnosti uzemljenja (RCD).** Upotreba RCD sklopke smanjuje rizik od električnog udara.

### Zaštita od električne struje

- Ne puniti baterije ako je USB kabel oštećen.

#### 1) Sigurnost radnog prostora

- a) **Radni prostor održavajte čistim i dobro osvijetljenim.** Ako je radno mjesto zakrčeno ili slabo osvijetljeno, može doći do ozljeda.
- b) **Električne alate nemojte upotrebljavati u eksplozivnom okruženju, primjerice u prisutnosti zapaljivih tekućina, plinova ili prašine.** Električni aparati stvaraju iskre koje mogu zapaliti prašinu ili isparavanja.
- c) **Pri radu s električnim alatom držite podalje promatrače i djecu.** Zbog odvratanja pozornosti mogli biste izgubiti nadzor nad uređajem.

#### 2) Zaštita od električne struje

- a) **Utikači električnih alata moraju odgovarati utičnicama. Nikad ni na koji način ne prepravljajte utikač. Prilikom upotrebe električnih alata s uzemljenjem ne koristite prilagodne utikače.** Neizmijenjeni utikači i odgovarajuće utičnice smanjit će rizik od električnog udara.

#### 3) Osobna sigurnost

- a) **Budite na oprezu, pazite što radite i primjenjujte zdravorazumski pristup prilikom rada s električnim alatom. Ne koristite električni alat ako ste umorni ili pod utjecajem droga, alkohola ili lijekova.** Trenutak nepažnje tijekom rada s električnim alatom može dovesti do ozbiljnih ozljeda.
- b) **Koristite zaštitnu opremu. Uvijek koristite zaštitu za oči.** Upotreba zaštitne opreme poput maske protiv prašine, sigurnosnih cipela protiv klizanja, čvrste kape ili zaštite sluha u odgovarajućim uvjetima smanjit će rizik od osobnih ozljeda.
- c) **Spriječite nepredviđena uključivanja. Provjerite je li prekidač u isključenom položaju prije priključivanja na napajanje ili umetanja baterija, podizanja ili prenošenja alata.** Nošenje električnog alata tako da je prst na prekidaču ili priključivanje električnog alata kojemu je prekidač uključen dovodi do nezgoda.
- d) **Prije nego što uključite električni alat, uklonite s njega sve ključeve za**

**prilagođavanje i sl.** Ostavljanje ključa na rotirajućem dijelu električnog alata može dovesti do ozljede.

- e) **Nemojte predaleko posezati. Stalno održavajte ravnotežu i stojte čvrsto na nogama.** To omogućuje bolju kontrolu električnog alata u neočekivanim situacijama.
- f) **Nosite odgovarajuću odjeću. Ne nosite široku odjeću ili nakit. Kosu, odjeću i rukavice uvijek držite podalje od pokretnih dijelova.** Pokretni dijelovi mogu zahvatiti labavo obučenu odjeću, nakit ili dugu kosu.
- g) **Ako postoji mogućnost priključivanja uređaja za prikupljanje ili odvođenje prašine, pravilno ih priključite i upotrebljavajte.** Upotreba uređaja za prikupljanje prašine može smanjiti opasnosti vezane uz prašinu.
- h) **Ne dopustite da zbog samopouzdanja stečenog učestalom upotrebom alata zanemarite sigurnosna pravila.** Nepažljivo postupanje može uzrokovati ozbiljne ozljede za djelić sekunde.

#### 4) Upotreba i čuvanje električnih alata

- a) **Ne opterećujte električni alat. Koristite ispravan električni alat za vašu primjenu.** Prikladan električni alat bolje će i sigurnije obaviti posao brzinom za koju je predviđen.
- b) **Ne upotrebljavajte električni alat ako se prekidač ne može prebaciti u isključeni ili uključeni položaj.** Svaki električni alat kojim se ne može upravljati pomoću prekidača predstavlja opasnost i potrebno ga je popraviti.
- c) **Prije bilo kakvog podešavanja, zamjene opreme ili nastavaka te pohrane električnog alata isključite kabel napajanja iz utičnice i/ili izvadite bateriju.** Te sigurnosne preventivne mjere smanjuju rizik od nehotičnog pokretanja električnog alata.
- d) **Električne alate koji se ne upotrebljavaju pohranite izvan dohvata djece i ne dopustite da njima rade osobama koje nisu upoznate s tim alatima ili njihovim uputama.** Električni alati opasni su u rukama neobučenih korisnika.
- e) **Električne alate treba održavati. Provjerite ima li kakvih otklona ili savinuća pokretnih dijelova, pucanja dijelova ili kakvih drugih stanja koja mogu utjecati na rad električnog alata. Ako je alat oštećen, popravite ga prije**

**upotrebe.** Velik broj nezgoda prouzrokovan je loše održanim električnim alatima.

- f) **Rezne dijelove alata održavajte oštroma i čistima.** Pravilno održavanje radnih alata s oštirim rubovima smanjuje vjerojatnost njegovog povijanja i lakše je za kontroliranje.
  - g) **Električni alat, pribor, nastavke itd. upotrebljavajte u skladu s ovim uputama te uzimajući u obzir radne uvjete i posao koji je potrebno obaviti.** Upotreba električnih alata za poslove za koje nije namijenjen može dovesti do opasnih situacija.
  - h) **Ručke i rukohvate održavajte suhima, čistima te bez ulja i masti.** Klizave ručke i rukohvati ne omogućuju sigurnu upotrebu i upravljanje alatom u neočekivanim okolnostima.
- 5) Servisiranje**
- a) **Električne alate servisirajte kod kvalificiranog servisera i upotrebom identičnih zamjenskih dijelova.** Na taj ćete način održati sigurnost upotrebe alata.

#### Dodatne sigurnosne upute za šišač trave:

- Mjesto rada održavajte čistim i urednim.
- Izbjegavajte upotrebu šišača na kiši ili u vlažnom okruženju, a posebno ako postoji rizik od nastanka groma.
- Uređaj upotrebljavajte samo pri dnevnom ili dobrom umjetnom svjetlu.
- Električne alate nemojte upotrebljavati na mjestima na kojima postoji visok rizik od požara ili eksplozije, npr. blizu zapaljivih tekućina ili plinova. Električni aparati stvaraju iskre koje mogu zapaliti prašinu ili isparavanja.
- Uređaj nemojte upotrebljavati ako ste umorni, bolesni ili pod utjecajem alkohola, droga ili lijekova.
- Uvijek nosite duge radne hlače, čizme i rukavice. Nemojte nositi široku odjeću, nakit, kratke hlače, sandale ili raditi bosu.
- Prilikom upotrebe uređaja nosite zaštitu za oči i uši.
- Ne sežite predaleko i uvijek držite ravnotežu, držite čvrsto uporište na nagibima i hodajte, ne trčite.
- Nikada ne dopustite da djeca, osobe sa smanjenim fizičkim osjetilnim ili metalnim sposobnostima ili nedostatkom iskustva i znanja ili osobe koje nisu upoznate s ovim

uputama rukuju strojem, starost rukovatelja mogla bi biti ograničena lokalnim propisima.

- Ovaj šišač nemojte upotrebljavati ako se u blizini nalaze druge osobe, djeca ili kućni ljubimci.
- Šake i stopala nemojte približavati reznom sklopu.
- Na ovaj šišač nemojte postavljati metalne rezne elemente.
- Šišač redovito pregledavajte i održavajte.
- Šišač nemojte upotrebljavati ako su štitnici oštećeni ili ako nisu postavljeni.
- Prije upotrebe uređaja i nakon udaraca provjerite ima li znakova oštećenja i istrošenosti te ih popravite ako je potrebno.
- Pričekajte dok se rezna nit potpuno ne zaustavi prije nego što je dodirnete. Rezna nit nastavlja se rotirati nakon isključivanja šišača. Nit koja se rotira može uzrokovati ozljede.
- Učinkovitost šišača manja je ako je trava mokra.
- Šišač isključite prilikom prenošenja na mjesto rada i odnošenja s njega.
- Motor uključite tek kada su šake i stopala odmaknuti od rezne niti i reznog sklopa.
- Šišač popravljajte samo u ovlaštenom servisu.
- Uvijek provjeravajte jesu li ventilacijski otvori čisti i nezačepljeni.
- Uređaj pohranite na sigurnom i suhom mjestu izvan dohvata djece. Na uređaj nemojte stavljati druge predmete
- Uređaj nemojte upotrebljavati ako nije postavljen sklop rezne niti.
- Uređaj nemojte forsirati. Pustite ga da radi tempom za koji je predviđen.

Nikada ne mijenjajte način rezanja nemetala s načinom rezanja metala.

Ne dodirujte pokretne opasne dijelove prije nego što odspojite stroj s mreže i dok se pokretni opasni dijelovi potpuno ne zaustave. Tijekom rada sa strojem uvijek nosite odgovarajuću obuću i duge nogavice. Odspojite s napajanja (odnosno uklonite utikač iz mreže ili uklonite uređaj za isključivanje):

- 1) Kada je korisnik ostavio stroj bez nadzora.
- 2) Prije otklanjanja začepljenja.
- 3) prije provjere, čišćenja ili rada na stroju.

- 4) Nakon udarca u strani predmet da pregledate stroj na oštećenja.
- 5) Ako stroj počne abnormalno vibrirati, odmah provjerite uzroke.
  - Uvijek osigurajte da su štitnici postavljeni kada upotrebljavate alat.
  - Provjerite kabel na oštećenja prije početka rada i po potrebi ga zamijenite.
  - Šišač redovito pregledavajte i održavajte. Škare za živicu popravljajte samo u ovlaštenom servisu.
  - Nakon produljivanja novog kabela rezača ili zamjene kabela kalema. Uvijek vratite šišač u uobičajeni radni položaj prije uključivanja.
  - Povremeno pregledavajte stanje rezne glave. Ako je kalem oštećen, isključite ga, uklonite utikač iz točke napajanja i zamijenite kalem.
  - Ne upotrebljavajte stroj za rezanje trave koja nije na tlu. N primjer, ne režite travu koja je na zidovima ili stijenama.
  - Ne prelazite ceste ili šljunčane putove dok stroj radi.
  - Stroj koristite isključivo sukladno uputama navedenim u ovom priručniku.
  - Ne produljujte nit za šišanje izvan štitnika i ne upotrebljavajte šišač bez izvučene obje niti i odgovarajuće ugrađene niti.
  - Redovno provjeravajte jesu li matice i vijci i zategnuti.

#### Uvijek prisutni rizici

Čak i ako se alat upotrebljava na propisani način, nije moguće otkloniti sve rizične čimbenike. Uslijed konstrukcije i dizajna alata može doći do sljedećih opasnosti:

- a) Štetni učinci po zdravlje uslijed vibracija ako se električni alat upotrebljava tijekom duljeg razdoblja, ako se njime nepravilno upravlja i ako se nepropisno održava.
- b) Ozljede i materijalna šteta uslijed oštećene opreme koja se iznenada izbaci.



**Upozorenje!** Ovaj električno alat stvara elektromagnetsko polje tijekom rada. Ovo polje može u nekim okolnostima ometati aktivne ili pasivne medicinske implantate. Za smanjenje rizika od ozbiljnih ili fatalnih ozljeda preporučujemo osobama s medicinskim implantatima da se posavjetuju


s liječnikom i proizvođačem medicinskog implantata prije upotrebe ovog električnog alata.

## 2. INFORMACIJE O PROIZVODU

### Predviđena upotreba

Šišač trave namijenjen je uporabi na otvorenom prostoru za šišanje i rezanje trave u privatnim i hobi vrtovima. Proizvod je projektiran za rezanje trave, laganog korova i slične vegetacije na razini tla ili iznad nje. Šišač se ne treba upotrijebiti za rezanje ili podrezivanje živice, grmlja ili druge vegetacije kada razina rezanja nije na razini površine tla ili iznad nje. Ne upotrebljavajte šišač za sjeckanje ili izradu komposta.

### Tehničke specifikacije

<b>Model br.</b>	<b>GTM1008</b>
Napon:	12 V 
Brzina bez opterećenja:	9.000/min
Preporučena baterija:	CDA1192 12V DC - 1,5Ah
Širina rezanja	220 mm
Rezni sustav s	2 rezne niti, Tap and go Ø1,2 mm x 4m
Težina:	1,4 kg
Razina zvučnog tlaka:	LPA: 71,3 dB(A) K=3dB(A)
Razina zvučne snage:	LWA: 88,3 dB(A) K=1,32 dB(A)
<b>Vibracije:</b>	
Stražnji rukohvat	2,63 m/s <sup>2</sup>
Prednji rukohvat	1,24 m/s <sup>2</sup> K=1,5 m/s <sup>2</sup>

<b>Model br.</b>	<b>CDA1192</b>
Vrsta baterije:	Litij-ionska
Napon:	12 V
Kapacitet:	1,5 Ah
Preporučeni punjač:	USB (5 V 1-2 A)
Masa:	0,18 kg

Koristite samo sljedeće baterije platforme AX-POWER 12 V. Upotreba bilo kojih drugih baterija može uzrokovati ozbiljne ozljede ili oštećenje alata. CDA1192 12 V, 1,5 Ah litij-ionska (uključena)

Baterije platforme AX-POWER od 12 V mogu se upotrijebiti uz sve alate baterijske platforme FERM AX-POWER od 12 V

### Razina vibracije

Razina emisija vibracije navedena u ovom korisničkom priručniku izmjerena je u skladu sa standardiziranim ispitivanjem u sklopu

normi EN 60335-1 i EN 50636-2-91 te se može upotrijebiti za međusobno uspoređivanje alata te za preliminarnu procjenu izloženosti vibracijama tijekom upotrebe alata u navedenim primjenama.

- Upotreba alata u drugim primjenama, uz druge ili loše održavane nastavke može značajno povećati razinu izloženosti.
- Vrijeme tijekom isključivanja alata i vrijeme dok je uključen, ali se ne upotrebljava za izvođenje radova, može značajno smanjiti razinu izloženosti.

Zaštite se od učinaka vibracija putem održavanja alata i dodatnog pribora, grijanja ruku i organiziranje radnog vremena.

### OPIS

Brojke u tekstu odnose se na crteže na stranici 2-4.

1. Rukohvat s mekom ručkom
2. Prekidač za uključivanje/isključivanje
3. Sigurnosni prekidač
4. Indikator baterije
5. Prednja ručka
6. Glavno kućište
7. Štitnik
8. Zaštitna šipka
9. Kućište koluta
10. Baterija
11. Vijci kućišta
12. Vijak štitnika
13. Sklop kalema
14. Opruga
15. Kućište koluta
16. Tipke za oslobađanje baterije
17. Kabel punjača
18. Indikator punjenja

## 3. SASTAVLJANJE



Prije bilo kakvih radova na električnom alatu uklonite bateriju.



Bateriju treba napuniti prije prve upotrebe.

### Uklanjanje baterije iz stroja (sl. D)

- Pritisnite gumbе za oslobađanje baterije (16) i izvadite bateriju iz stroja (1).

### Umetanje baterije u stroj (sl. C)



*Provjerite je li vanjski dio baterije čist i suh prije priključivanja na punjač ili uređaj.*

- Umetnite bateriju (10) u bazu stroja (1).
- Pritisnite bateriju tako da se učvrsti na mjestu.

### Punjenje baterije (punjačem) (sl. E)

- Utaknite USB-C spajач kabela punjača (17) u bateriju (10).
- Utaknite USB-A spajачa kabela punjača u USB strujni adapter (nije uključen). Također možete upotrijebiti jedinicu za strujno napajanje ili prijenosno računalo kao izvor napajanja.
- Indikacijsko svjetlo punjača (18) pali se i prikazuje stanje punjenja.

### LED indikator (7) Sl. E

Na bateriji se nalazi lampica (18) koja naznačuje stanje punjenja:

LED žaruljica	Stanje punjača
Crvena	Punjenje baterije u tijeku
Zelena	Punjenje baterije je dovršeno, baterija je potpuno napunjena

Kada je baterija potpuno napunjena, uklonite punjač iz utičnice te odspojite kabel za punjenje s baterije.



*Ako uređaj ne namjeravate upotrebljavati dulje vrijeme, pohranite bateriju napunjenu.*



*Prije upotrebe uvijek vizualno provjerite jesu li oštrice, vijci oštrice te sklop rezača istrošeni ili oštećeni.*



*Upozorenje! Šišač trave ne smije se upotrebljavati ako štitnik nije postavljen.*

### Postavljanje štitnika (sl. C1)

- Postavite štitnik (7) na glavu stroja prema prikazu na slici C1.
- Učvrstite štitnik isporučanim vijkom (12).
- Umetnite štitnik (8) u utore na bazi (6).



*Ne pokušavajte uklanjati štitnik.*

### Postavljanje kućišta (sl. B)

- Umetnite prednji rukohvat (5) u srednje kućište (6).

- Umetnite tri glavna dijela kućišta jedan u drugi i učvrstite ih. Osigurajte da su otvori vijaka poravnati.
- Osigurajte vijke kućišta (11) u četiri utora da sastavite glavno kućište (6).



*Prije zamjene kalema očistite stroj od nečistoće.*

### Zamjena koluta (sl. C2)

- Uklonite sklop kalema (13), ali ostavite oprugu (14) unutra.
- Uzmite zamjenski sklop kalema i postavite ga preko opruge (14).
- Učvrstite sklop kalema tako da čvrsto okrenete kalem u kućište kalema.

## 4. UPOTREBA

### Upotreba sustava Tap and Go (sl. C2)

- Ako je rezna nit prekratka, uključite uređaj i pritisnite vrh sklopa kalema (13) o tlo (učinite to na tvrdj površini).
- To će osloboditi žicu i ona će se produžiti.
- Oštrica postavljena na štitniku (7) automatski će odrezati nit na odgovarajuću dužinu.

### Upotreba šišača trave

- Iz sigurnosnih razloga i za najbolje rezultate pročitajte sljedeće savjete za korisnike i nemojte upotrebljavati ovaj proizvod u svrhe za koje nije predviđen.
- Ovaj uređaj predviđen je za šišanje trave. Sve ostale primjene koje nisu izričito odobrene u ovom priručniku mogu dovesti do oštećenja šišača trave ili ozljeda.
- Osigurajte da je radno mjesto bez stijena, ostataka, kabela i drugih predmeta.
- Pokrenite alat prije pristupa travi za rezanje.
- Režite travu tako da zakrenete iz desna ulijevo i nastavite polako držeći šišač nagnut prema naprijed pod kutom od otprilike 30 stupnjeva.
- Visoka trava uvijek se treba rezati u slojevima započevši na vrhu. Ne režite vlažnu ili mokru travu. Ne preopterećujte alat.

### Sigurnosne značajke

- Na štitniku se nalazi nož za rezanje žice na odgovarajuću dužinu. Nemojte dirati nož kako se ne biste ozlijedili.

- Odspojite šišač s izvora napajanja kada transportirate stroj da spriječite slučajno uključivanje stroja za vrijeme transporta.

### Uključivanje i isključivanje

- Da biste uključili šišač, pritisnite sigurnosni prekidač (3), a nakon toga prekidač za uključivanje/isključivanje (2).
- Da biste ga isključili, pustite prekidač za uključivanje/isključivanje (2).

## 5. ODRŽAVANJE



*Prije čišćenja i održavanja uvijek isključite stroj te izvadite bateriju iz stroja.*

Ovi strojevi predviđeni su za dugotrajnu upotrebu uz minimalno održavanje. Kontinuirana zadovoljavajuća upotreba ovisi o redovitom održavanju i čišćenju uređaja.

- Isključite napajanje i izvadite bateriju prije čišćenja i spremanja stroja.
- Stroj ne zahtijeva dodatno podmazivanje.
- Očistite kućište i druge dijelove blagim sredstvom za čišćenje i vlažnom krpom.
- Nikada ne upotrebljavajte agresivna sredstva za čišćenje ili otapala.
- Spriječite prodiranje vode u stroj.
- Ne ostavljajte šišač na podu dulje vrijeme zašto što se može promijeniti oblik štitnika i to može predstavljati sigurnosni rizik. Po mogućnosti čuvajte stroj u ravnom položaju.

### Čišćenje

Kućište uređaja redovito čistite mekom krpom, po mogućnosti nakon svake uporabe. Osigurajte da su ventilacijski otvori bez prašine i nečistoće. Uklonite tvrdokornu nečistoću mekom krpom navlaženom sapunicom. Ne upotrebljavajte otapala kao što su benzin, alkohol, amonijak itd. Takve kemikalije mogu oštetiti sintetičke komponente.

## OKOLIŠ



*Simbol prekrížene kante za otpad podrazumijeva da se ovaj proizvod ne smije odbacivati s uobičajenim kućanskim otpadom. Elektronička i električna oprema koja nije obuhvaćena*

*u postupku selektivnog sortiranja je potencijalno opasna za okoliš i ljudsko zdravlje uslijed prisutnosti opasnih tvari. Odbacite na odgovoran način u ustanovama za odobreni otpad ili recikliranje.*

### Samo za države EZ-a

Ne zbrinjavajte električne alate u kućni otpad. U skladu s europskom direktivom 2012/19/EZ o Otpadnoj električnoj i elektroničkoj opremi i njezinoj primjeni u nacionalnom pravu električni alati koji se više ne mogu upotrebljavati moraju se zbrinuti odvojeno na ekološki način.

## JAMSTVO

Proizvod tvrtke FERM razvijen je sukladno najvišim standardima te će zajamčeno biti bez nedostataka u materijalima i izradi tijekom zakonski određenog roka koji počinje s datumom kupnje. Ako u tom razdoblju dođe do bilo kakvih kvarova zbog nedostataka u materijalu i/ili izradi, obratite se izravno svom FERM dobavljaču.

Sljedeće okolnosti izuzete su iz ovog jamstva:

- Popravci i/ili izmjene uređaja izvedeni od strane neovlaštenih servisa.
- Uobičajeno habanje i trošenje.
- Zloupotreba, nepravilna upotreba ili nepravilno održavanje alata.
- Upotreba neoriginalnih rezervnih dijelova.

Ovo je jedino jamstvo koje tvrtka pruža u izričitom ili impliciranom obliku. Ne pružaju se nikakva druga izričita ili implicirana jamstva izvan ovdje navedenog opsega, uključujući implicirana jamstva utrživosti i prikladnosti za određenu svrhu. Tvrtke FERM neće ni u kojem slučaju biti odgovorna ni za kakve nehotične ili posljedične štete. Pravni lijekovi dobavljača bit će ograničeni na popravak ili zamjenu neispravnih uređaja ili dijelova.

**Proizvod i korisnički priručnik podliježu izmjenama. Specifikacije se mogu promijeniti bez prethodne obavijesti.**

## NITNA KOSILNICA GTM1008

### Zahvaljujemo se vam za nakup tega izdelka FERM.

Z nakupom ste dobili odličen izdelek, ki ga dobavlja eden vodilnih prodajalcev v Evropi. Vsi izdelki, ki jih dobavlja Ferm, so izdelani v skladu z najvišjimi standardi lastnosti in varnosti. Kot del svoje filozofije zagotavljamo tudi odličen servis, ki je zavarovan z našo obsežno garancijo. Upamo, da boste ta izdelek z veseljem uporabljali še vrsto let.

## 1. VARNOSTNA NAVODILA



**Skrbno preberite varnostna opozorila, dodatna varnostna opozorila in navodila.** Če ne upoštevate spodaj navedenih varnostnih opozoril in napotkov, lahko to privede do električnega šoka, požara in/ali hudih telesnih poškodb. **Vsa varnostna opozorila in navodila shranite za poznejšo uporabo.**

V navodilih za uporabo ali na izdelku so naslednji simboli:



Preberite navodila za uporabo.



Označuje tveganje za telesne poškodbe, izgubo življenja ali poškodbe orodja, če ne upoštevate navodil v teh navodilih za uporabo.



Tveganje električnega šoka.



Tveganje letečega predmeta. Druge osebe naj imajo varno razdaljo do delovnega območja.



Nosite zaščitna očala in zaščito za sluh.



Nevarnost - Rok ne imejte v bližini premikajočih se delov orodja.



Prisotne zaščitite pred izvrženimi predmeti. Prisotni naj se umaknejo na varno razdaljo od stroja.



Naprave ne izpostavljajte dežju.



Raven zvočne moči



Največja temperatura 40 °C



Baterije ne odvrzite v ogenj.



Ločeno zbirajte litij-ionske baterije.



Izdelka ne odvrzite v neprimerne zabojnike.



Ta izdelek je skladen z veljavnimi varnostnimi standardi iz evropskih direktiv.

## SPLOŠNA VARNOSTNA OPOZORILA



**OPOZORILO! Preberite vsa varnostna opozorila in vsa navodila.** Če ne upoštevate spodaj navedenih varnostnih opozoril in napotkov, lahko to privede do električnega udara, požara in/ali hudih telesnih poškodb. Izraz "električno orodje" v opozorilih se nanaša na vaše električno orodje na omrežno napajanje (s kablom) ali električno orodje na akumulator (brez kabla).

### Vsa opozorila in navodila shranite za prihodnjo uporabo.

Izraz "električno orodje" v opozorilih se nanaša na vaše električno orodje na omrežno napajanje (s kablom) ali električno orodje na akumulator (brez kabla).

## VARNOSTNA OPOZORILA GLEDE AKUMULATORJA

a) **Ne odpirajte akumulatorja.** Nevarnost kratkega stika.



- b) **Akumulator zaščitite proti vročini, npr. intenzivnimi sončnimi žarki, ognjem, vodo in vlago.** Nevarnost eksplozije.
- c) **V primeru poškodb in nepravilne uporabe lahko iz akumulatorja uhajajo hlapi.** **Prezračite območje, in če imate težave, poiščite zdravniško pomoč.** Hlapi lahko dražijo dihalni sistem.
- d) **Akumulator uporabite le v povezavi s svojim industrijskim izdelki FERM.** Že samo ta mera zaščiti akumulator proti nevarni preobremenitvi.
- e) **Akumulator se lahko poškoduje s koničastimi predmeti, kot so žebliji, vijaki ali z uporabljeno zunanjo silo.** Lahko pride do notranjega kratkega stika in akumulator lahko zagori, se kadi, eksplodira ali pregreje.

## VARNOSTNA OPOZORILA ZA POLNILNIK

Da bi zmanjšali nevarnost poškodb, polnite s kablom USB samo polnilne baterije; druge vrste baterij se lahko razpočijo in povzročijo telesne poškodbe in škodo.

- a) **Te naprave ne smejo uporabljati osebe (vključno z otroki) z zmanjšanimi fizičnimi, zaznavnimi in psihičnimi sposobnostmi oziroma brez izkušenj in znanja, razen če so pod nadzorom ali so pod nadzorom, oz. so dobili navodila.**
- b) **Otroke je treba nadzorovati in preprečiti, da se igrajo naprava.**
- c) **Ne polnite baterij, ki se ne polnijo!**
- d) **Baterije je treba polniti v dobro prezračevanem prostoru!**

### Električna varnost

- Ne uporabljajte paketa baterij, če je poškodovan USB kabel.
- 1) **Varnost na delovnem mestu**
  - a) **Poskrbite, da bo delovno mesto vedno čisto in dobro osvetljeno.** V natrpanih ali temnih prostorih so nezgode pogostejše.
  - b) **Električnega orodja ne uporabljajte v eksplozivnem okolju, na primer v prisotnosti vnetljivih tekočin, plinov ali prahu.** Električno orodje ustvarja iskre, ki lahko vnamejo prah ali hlapce.
  - c) **Med uporabo električnega orodja naj se otroci in navzoče osebe ne približujejo.** Nezbranost lahko povzroči izgubo nadzora.

### 2) Električna varnost

- a) **Vtič električnega orodja mora ustrezati vtičnici. Nikoli na noben način ne spreminjajte vtiča. Ne uporabljajte vmesnikov z ozemljenim električnim orodjem.** Nespremenjeni vtiči in ustrezne vtičnice zmanjšajo tveganje električnega udara.
- b) **Izogibajte se telesnemu stiku z ozemljenimi površinami, kot so cevi, radiatorji, štedilniki in hladilniki.** Če je vaše telo ozemljeno, obstaja povečana nevarnost električnega udara.
- c) **Električnega orodja ne izpostavljajte dežju ali mokrim pogojem.** Vdor vode v električno orodje poveča nevarnost električnega udara.
- d) **Ne zlorablajte električnega kabla. Nikoli ne uporabljajte kabla za prenašanje, vlečenje ali izklapljanje električnega orodja. Kabel hranite stran od vročine, olja, ostrih robov ali gibljivih delov.** Poškodovani kabli povečajo tveganje električnega udara.
- e) **Pri uporabi električnega orodja na prostem uporabljajte podaljšek, ki je primeren za uporabo na prostem.** Uporaba kabla, ki je primeren za uporabo na prostem, zmanjša nevarnost električnega udara.
- f) **Če je uporaba električnega orodja na vlažnem mestu neizogibna, uporabite napajanje z napravo za diferenčni tok (RCD).** Uporaba RCD-ja zmanjša tveganje za električni udar.

### 3) Osebna varnost

- a) **Bodite pozorni, pazite, kaj delate, in pri delu z električnim orodjem uporabljajte zdrav razum. Ko ste utrujeni ali pod vplivom drog, alkohola ali zdravil, električnega orodja ne uporabljajte.** Trenutek nepazljivosti med uporabo električnega orodja lahko povzroči resne telesne poškodbe.
- b) **Uporabljajte osebno zaščitno opremo. Vedno nosite zaščitno za očmi.** Varnostna oprema, kot so protiprašna maska, nedrseči zaščitni čevlji, trdo pokrivalo ali zaščita sluha, uporabljana v primernih pogojih, zmanjša nevarnost telesnih poškodb.
- c) **Preprečite nehoteni zagon. Preden orodje priključite na vir napajanja in/ali akumulator, dvignite ali prenašate, se prepričajte, ali je stikalo na položaju "izklop".** Prenasjanje

električnega orodja s prstom na stikalu za vklop ali priključitev električnega orodja na električno omrežje z vklopljenim stikalom povečuje možnost nesreč.

- d) **Pred vklopom orodja odstranite vse ključne za nastavitve orodja.** Ključ ali izvijač, ki je pritrjen na vrteči se del električnega orodja, lahko povzroči telesne poškodbe.
- e) **Naprave ne preobremenjujte. Vedno stojite trdno na tleh in v dobrem ravnotežju.** To v nepričakovanih okoliščinah omogoča boljši nadzor nad električnim orodjem.
- f) **Nosite ustrezna oblačila. Ne nosite ohlapnih oblačil ali nakita. Lasje, oblačila ali rokavice morajo biti oddaljeni od premikajočih delov.** Ohlapna oblačila, nakit ali dolgi lasje se lahko ujamejo v vrteče dele.
- g) **Če so na voljo naprave za priključitev naprav za odsesavanje in zbiranje prahu, poskrbite, da so te naprave priključene in se pravilno uporabljajo.** Uporaba zbiralnika prahu lahko zmanjša nevarnosti, povezane s prahom.
- h) **Kljub temu da ste dobro seznanjeni s tem orodjem, ne postanite pri rokovanju z njim neprevidni in ne prezrite varnostnih načel.** Neprevidnost lahko v trenutku povzroči hudo telesno poškodbo.

#### 4) Uporaba in vzdrževanje električnega orodja

- a) **Električnega orodja ne preobremenjujte. Uporabite ustrezno električno orodje za vašo uporabo.** Pravilno električno orodje bo delo opravilo bolje in varneje pri hitrosti, za katero je bilo zasnovano.
- b) **Ne uporabljajte električnega orodja, če ga ne morete vklopiti in izklopiti s stikalom.** Vsako električno orodje, ki ga ni mogoče upravljati s stikalom, je nevarno in ga je treba popraviti.
- c) **Pred nastavljanjem orodja, menjavo orodij ali preden boste orodje odložili, izvlecite vtič iz vtičnice.** Takšni preventivni varnostni ukrepi zmanjšujejo tveganje nenamernega zagona električnega orodja.
- d) **Neaktivno električno orodje shranjujte izven dosega otrok in ne dovolite, da z električnim orodjem upravljajo osebe, ki niso seznanjene z električnim orodjem ali temi navodili.** Električna orodja so v rokah neusposobljenih uporabnikov nevarna.

- e) **Vzdržujte električna orodja. Preverite, da gibljivi deli niso nepravilno poravnani ali povezani, da deli niso zlomljeni in da ne obstajajo druge okoliščine, ki bi lahko vplivale na delovanje električnega orodja. Če je električno orodje poškodovano, ga pred uporabo popravite.** Veliko nesreč je posledica slabo vzdrževanega električnega orodja.
- f) **Rezalno orodje naj bo vedno ostro in čisto.** Skrbno negovana rezalna orodja se manj zatikajo in so boljje vodljiva.
- g) **Uporabljajte električno orodje, opremo in pribor in nastavke orodja itd. v skladu s temi navodili, ob tem upoštevajte delovne pogoje in vrsto dela, ki ga bo to električno orodje opravljalo.** Če orodje uporabljate v druge namene, kot je priporočeno, lahko taka uporaba povzroči poškodbe.
- h) **Ročaji in oprijemalne površine morajo biti suhe, čiste in brez madežev olja ali masti.** Spolzki ročaji in oprijemalne površine ne omogočajo varne uporabe orodja v nepričakovanih situacijah.

#### 5) Servis

- a) **Vaše električno orodje naj servisira usposobljen serviser in ob tem uporablja enake nadomestne dele.** Tako boste zagotovili varnost električnega orodja.

#### Dodatni varnostni napotki za nitne kosilnice:

- Delovno območje mora biti čisto in urejeno.
- Izogibajte se uporabi stroja v dežju ali mokrem okolju, še posebej, ko obstaja možnost med bliskanja.
- Delajte samo podnevi ali pod dobro umetno svetlobo
- Ne uporabljajte električna orodja kjer obstaja tveganje požara ali eksplozije, npr. v bližini vnetljivi tekočin ali plinov. Električno orodje ustvarja iskre, ki lahko vnamejo prah ali hlape.
- Nikoli ne uporabljajte električnega Izdelek če ste utrujeni, pod vplivom alkohola ali zdravil.
- Vedno nosite dolge odporne hlače, škornje in rokavice. Ne nosite ohlapnih oblačil, nakita, kratkih hlač, sandalov in ne bodite bosonogi.
- Med upravljanjem stroja nosite zaščitna očala in ščitnike za ušesa

- Ne pretiravajte in ves čas ohranjajte ravnotežje, na strminah bodite vedno prepričani, da imate trdno oporo, in hodite, nikoli ne tecite.
- Naprave ne smejo uporabljati otroci in osebe z omejenimi čutili ali umskimi sposobnostmi ali pomanjkanjem izkušenj ali znanja. Lokalna zakonodaja lahko predvideva starostno omejitev, ki je predpisana za upravljavce naprave.
- Nikoli ne delajte z nitno kosilnico, če so v bližini ljudje, zlasti otroci ali hišni ljubljenci
- Ne približujte rok ali nog rezalnemu sistemu.
- Na to nitno kosilnico nikoli ne nameščajte kovinskih rezalnih elementov.
- Redno preglejte in vzdržuje nitno kosilnico.
- Nikoli ne uporabljajte nitne kosilnice z manjkajočimi ali poškodovanimi varovali ali ščiti ali brez nameščenih varoval ali ščitov.
- Pred uporabo stroja in po udarcu preverite znake obrabe ali poškodb in jih popravite, če je treba
- Preden se dotaknete nitke v kolutu počakajte, da se popolnoma ustavi. Nitka se vrti tudi po izklopu nitne kosilnice; vrteča se žica lahko povzroči poškodbe.
- Uporaba nitne kosilnice v mokri travi zmanjšuje učinkovitost delovanja.
- Izklopite nitno kosilnico med prenosom nitne kosilnice na delovno območje in z njega.
- Motor vklopite le, ko roke in noge niso v bližini sredstev za rezanje.
- Nitno kosilnico lahko popravi le pooblaščen servisni delavec.
- Prezračevalne odprtine morajo biti vedno očiščene in brez drobirja
- Napravo shranite na suhem mestu, izven doseg a otrok. Na napravo ne postavljajte drugih predmetov
- Ne uporabljajte stroja brez nameščenega žičnega nastavka
- Pri delu z napravo ne uporabljajte sile - pustite ji, da deluje s hitrostjo, za katero je bila predvidena.

Nikoli ne zamenjajte nekovinskih rezalnih sredstev s kovinskimi rezalnimi sredstvi.

Ne dotikajte se premikajočih se nevarnih delov, dokler nitna kosilnica ni izključena iz električnega omrežja in dokler se premikajoči se nevarni deli ne ustavijo popolnoma. Med uporabo orodja

nosite trpežno obutev in dolge hlače. Odklopite napajanje (npr. izvlecite vtič iz električnega omrežja ali odstranite napravo za izklop):

- 1) ko puščate stroj brez nadzora;
  - 2) pred čiščenjem ali odstranjevanjem blokade;
  - 3) pred preverjanjem, čiščenjem ali delom na kosilnici;
  - 4) po trku s tujim predmetom preverite, ali je naprava poškodovana;
  - 5) takoj preverite nitno kosilnico, če se začne tresti nenormalno.
- Prepričajte se, ali so med uporabo orodja nameščeni vsi ščitniki.
  - Pred začetkom dela preverite, ali je kabel poškodovan, in ga zamenjajte, če je treba.
  - Redno preglejte in vzdržuje nitno kosilnico. Nitno kosilnico naj popravlja le pooblaščen servisler.
  - Po podaljšanju nove rezalne nitke ali zamenjavi koluta z nitko. Pred vklopom nitne kosilnice jo vedno vrnite v običajni delovni položaj.
  - Redno preverjajte stanje rezalne glave. Če je tuljava poškodovana, jo izklopite, izvlecite vtič iz električnega omrežja in zamenjajte tuljavo.
  - S kosilnico ne kosite trave, ki ni na tleh. Na primer, ne kosite trave, ki je na stenah ali skalah.
  - Z delujočo kosilnico ne prečkajte cest ali gramoznih poti.
  - Nitno kosilnico uporabljajte le v skladu z navodili iz tega priročnika.
  - Nitke za obrezovanje ne podaljšujte preko varovala in nitne kosilnice ne uporabljajte brez obeh podaljšanih nitk in nameščene prave nitke.
  - Redno preverjajte, ali so matice, vijaki in zatiči dobro zategnjeni.

### Ostaneke tveganj

Tudi, če električno orodje uporabljate kot je predpisano, ni mogoče izključiti ostalih dejavnikov tveganja. V zvezi s konstrukcijo in obliko lahko električno orodje povzroči naslednje nevarnosti:

- a) Škoda za zdravje, ki nastane zaradi tresljajev, če orodje uporabljate dalj časa, ga neustrezno uporabljate, in pomanjkljivo vzdržujete.
- b) Telesne poškodbe in gmotna škoda zaradi polomljenih priključkov, ki so nenadoma izvrženi.



**Opozorilo!** To električno orodje ustvarja med delovanjem elektromagnetno polje. To polje lahko v določenih okoliščinah vpliva na aktivne ali pasivne medicinske vsadke. Za zmanjšanje nevarnosti tresljajev ali smrtnih poškodb priporočamo osebam z medicinskimi vsadki, da se pred začetkom dela posvetujejo s svojim zdravnikom in proizvajalcem medicinskih vsadkov.

## 2. PODATKI O IZDELKU

### Predvidena uporaba

Ta nitna kosilnica je namenjena za zunanjo uporabo, za obrezovanje in košnjo trave ter trate na zasebnih in ljubiteljskih vrtovih. Izdelek je namenjen košnji trave, lahkega plevela in drugega podobnega rastlinja v višini tal ali blizu njih. Nitne kosilnice ne smete uporabljati za rezanje ali obrezovanje žive meje, grmovja ali drugega rastlinja, pri kateri raven rezanja ni v višini tal ali blizu njih. Nitne kosilnice ne uporabljajte za drobljenje ali izdelavo komposta.

### Tehnični podatki

Št. modela	GTM1008
Napetost:	12 V $\equiv$
Hitrost v prostem teku:	9.000/min
Priporočen akumulator:	CDA1192 12V DC - 1,5 Ah
Širina rezanja	220 mm
Rezalni sistem	žična tuljava z 2 nitkama, dotakni in nadaljaj (Tap and go) $\varnothing$ 1,2 mm x 4 m
Teža:	1,4 kg
Raven zvočnega tlaka:	LPA:71.3 dB(A) K=3dB(A)
Raven zvočne moči:	LWA:88.3 dB(A) K=1.32dB(A)
<b>Tresljaji:</b>	
Zadnji ročaj	2,63 m/s <sup>2</sup>
Sprednji ročaj	1,24 m/s <sup>2</sup> K=1,5 m/s <sup>2</sup>

Št. modela	CDA1192
Vrsta baterije:	litij-ionska
Napetost:	12 V
Žmogljivost:	1,5 Ah
Priporočeni polnilnik:	USB (5 V 1-2 A)
Teža:	0,18kg

Uporabljajte le naslednje akumulatorje za platformo akumulatorjev AX-POWER 12V. Uporaba drugih baterij lahko povzroči hude telesne poškodbe ali poškoduje orodje. CDA1192 12 V, 1,5 Ah litij-ionski (vključen)

Akumulatorji platforme za akumulatorje AX-POWER 12V so izmenljivi z vsemi orodji s platformo akumulatorjev FERM AX-POWER 12V.

### Raven tresljajev

Raven tresljajev, navedena v teh navodilih za uporabo, je bila izmerjena v skladu s standardiziranim testom, navedenim v EN 60335-1 in EN 50636-2-91; lahko se uporablja za primerjavo enega orodja z drugim in kot predhodna ocena izpostavljenosti tresljajem, če uporabljate orodje za navedena dela.

- uporaba orodja za različne namene ali z različnimi ali slabo vzdrževanimi pripomočki lahko znatno poveča stopnjo izpostavljenosti.
- v času, ko je orodje izklopljeno ali ko deluje, vendar ne opravlja dela, lahko znatno zmanjša raven izpostavljenosti.

Zaščitite se proti učinkom tresljaje z rednim vzdrževanjem orodja in opreme, tako, da so vaše roke vedno tople in z organizacijo delovnih svojih vzorcev

### OPIS

Številke v besedilu se nanašajo na diagrame na straneh 2–4

1. Ročaj z mehkim oprijemom
2. Stikalo vklop/izklop
3. Varnostno stikalo
4. Signalna lučka akumulatorja
5. Sprednji ročaj
6. Glavno ohišje
7. Ščitnik
8. Zaščitni nastavek
9. Ohišje koluta
10. Akumulator
11. Vijaki ohišja
12. Vijak ščitnika
13. Sklop tuljave
14. Vzmet
15. Ohišje koluta
16. Gumb za sprostitev akumulatorja
17. Kabel polnilnika
18. Signalna lučka polnjenja

### 3. SESTAVLJANJE



*Pred kakršnim koli delom na električnem orodju odstranite akumulator.*



*Pred prvo uporabo je treba napolniti akumulator.*

#### Odstranitev akumulatorja iz orodja (sl. D)

- Pritisnite gumba za sprostitvev akumulatorja (16) in akumulator izvlecite iz (1) kosilnice.

#### Vstavljanje baterije v orodje (sl. C)



*Pred priklopom na polnilnik ali orodje se prepričajte, da je zunanost akumulatorja čista in suha.*

- Vstavite akumulator (10) v podnožje orodja (1).
- Akumulator potisnite do konca, dokler ne zaslišite klika.

#### Polnjenje baterije (s polnilnikom) (sl. E)

- Vtič polnilnega kabla USB-C (17) vstavite v akumulator (10).
- Vtič polnilnega kabla USB-A priključite na napajalnik USB (ni priložen). Namesto tega se lahko kot vir energije uporabi na primer powerbank ali prenosni računalnik.
- Lučke LED na polnilniku (18) zasvetijo in pokažejo stanje polnilnika.

#### LED signalne lučke (7) sl. E

Polnilnik ima 1 LED signalno lučko (18), ki prikazuje stanje polnjenja:

LED	stanje polnjenja
Rdeča	Akumulator se polni
Zelena	Polnjenje akumulatorja je končano, akumulator je popolnoma napolnjen

Ko je akumulator popolnoma napolnjen, odstranite vtič polnilnika iz vtičnice in izvlecite polnilni kabel iz akumulatorja.



*Če orodja ne boste uporabljali dalj časa, je najbolje, da akumulator shranite napolnjen.*



*Pred uporabo kosilnice vedno opravite kontrolni pregled in preverite, ali rezila, vijaki rezila in sklop rezila niso obrabljeni ali poškodovani.*



*Opozorilo! Nitne kosilnice ne smete uporabljati brez ščitnika.*

#### Montaža ščitnika (sl. C1)

- Na glavo stroja namestite ščitnik (7), kot je prikazano na sliki C1.
- Ščitnik pritrdite s priloženim vijakom (12)
- Zaščito (8) vstavite v reže na podstavku (6).



*Nikoli ne poskusite odstraniti ščitnika.*

#### Montaža ohišja (sl. B)

- Sprednji ročaj (5) vstavite v sredinsko ohišje (6).
- Vstavite tri glavne dele ohišja enega v drugega, da se trdno prilegajo. Prepričajte se, ali so luknje za vijake poravnane.
- Pritrdite vijake ohišja (11) v štiri reže za montažo glavnega ohišja (6).



*Pred zamenjavo tuljave očistite s kosilnice morebitno umazanijo.*

#### Zamenjava koluta (sl. C2)

- Odstranite sklop tuljave (13), vzmet (14) pa pustite v notranjosti.
- Vzemite nadomestni sklop tuljave in ga namestite prek vzmeti (14).
- Sklop tuljave pritrdite tako, da tuljavo tesno zavrtite v ohišje tuljave.

### 4. UPORABA

#### Uporaba sistema Dotakni se in nadaljuj (tap and go) (sl. C2)

- Ko je žica prekratka, vklopite kosilnico in pritisnite konico sklopa tuljave (13) na tla (pazite, da to storite na trdi površini).
- S tem boste žico sprostili in jo podaljšali.
- Rezilo, nameščeno v ščitniku (7), samodejno odreže žico ustrezne dolžine.

#### Uporaba nitne kosilnice

- Za lastno varnost in najboljše rezultate preberite naslednje nasvete za uporabnika in izdelka ne uporabljajte za druge namene, kot je predviden.
- Ta nitna kosilnica je narejena za košnjo trave. Vsaka druga uporaba, ki ni izrecno dovoljena

v tem priročniku, lahko povzroči poškodbe nitne kosilnice ali poškoduje uporabnika.

- Prepričajte se, ali v delovnem območju ni kamenja, smeti, vrvi in drugih predmetov.
- Orodje zaženite, preden se približate travi, ki jo želite pokositi.
- Kosite travo z nihanjem orodja z desne proti levi in nadaljujte počasi, tako da je nitna kosilnica nagnjena naprej pod kotom približno 30 stopinj.
- Visoko travo je treba kositi v plasteh in vedno začnite zgoraj. Ne kosite vlažne ali mokre trave. Ne preobremenite svojega orodja.

### Varnostne funkcije

- Ščitnik ima nož za rezanje žice na pravo dolžino. Ne dotikajte se noža, da zmanjšate možnost poškodb uporabnika.
- Med prevozom odklopite nitno kosilnico od vira napajanja in tako preprečite, da se med prevozom slučajno ne vklopi.

### Vklop in izklop

- Za vklop nitne kosilnice potisnite varnostno stikalo (3) in nato pritisnite stikalo za vklop/izklop (2)
- Za izklop sprostite stikalo za vklop/izklop (2)

## 5. VZDRŽEVANJE



*Pred čiščenjem in vzdrževanjem vedno izklopite nitno kosilnico in iz nje odstranite paket baterij*

Kosilnice so zasnovane za dolgotrajno delovanje z minimalnim vzdrževanjem. Trajno zadovoljivo delovanje je odvisno od pravilne nege stroja in rednega čiščenja.

- Pred čiščenjem in shranjevanjem naprave izklopite napajanje in izvlecite akumulator.
- Nitna kosilnica ne zahteva dodatnega mazanja.
- Ohišje in druge dele očistite z blagim čistilom in vlažno krpo.
- Nikoli ne uporabljajte agresivnih čistil ali topil.
- Preprečite vdor vode v nitno kosilnico.
- Nitne kosilnice ne puščajte dlje časa na tleh, saj lahko pride do deformacije ščitnika, kar predstavlja varnostno tveganje. Če je mogoče, shranjujte kosilnico v ležečem položaju.

### Čiščenje

Ohišje orodja redno čistite z mehko krpo, najbolje je, da jo uporabite po vsaki uporabi. Zagotovite, da bodo prezračevalne odprtine brez prahu in umazanije. Trdovratno umazanijo odstranite z mehko krpo, namočeno v milnici. Ne uporabljajte topil, kot so bencin, alkohol, amonijak itd. Te vrste kemikalij bodo poškodovale sintetične sestavne dele.

## OKOLJE



*Prečrtan simbol smetnjaka pomeni, da tega izdelka ni dovoljeno odlagati med običajne gospodinjne odpadke. Elektronska in električna oprema, ki ni vključena v postopek selektivnega razvrščanja odpadkov, je zaradi prisotnosti nevarnih snovi potencialno nevarna za okolje in zdravje ljudi. Prosimo za odgovorno odlaganje v odobrenem objektu za ravnanje z odpadki ali recikliranje.*

### Samo za države EU

Električnega orodja ne odvrzite med gospodinjne odpadke. V skladu s smernico EC 2012/19/EU za odpadno električno in elektronsko opremo in njeni uveljavitvi v nacionalno pravo je treba električno orodje, ki se ne uporablja več, zbirati ločeno in ga odstraniti med odpadke na okolju prijazen način.

## GARANCIJA

Izdelki FERM so razviti v skladu z najvišjimi standardi kakovosti, zanje pa velja garancija, da nimajo napak v materialu in izdelavi v zakonsko določenem obdobju od datuma prvotnega nakupa. Če v tem obdobju pride do kakršne koli okvare izdelka zaradi napak v materialu in/ali izdelavi, se obrnite neposredno na svojega prodajalca izdelkov FERM.

Garancija ne zagotavlja kritja za naslednje okoliščine:

- Na napravi so bila izvedena popravila in/ali spremembe, ki so jih poskušali izvesti nepooblaščen servisni centri.
- Običajna obraba.

- Zloraba, napačna uporaba ali neustrezno vzdrževanje orodja.
- Uporaba neoriginalnih rezervnih delov.

To je edina izrecna ali naznačena garancija, ki jo zagotavlja podjetje. Ta dokument ne zagotavlja nobenih drugih izrecnih ali naznačenih garancij, ki presegajo vsebino tega dokumenta, vključno z naznačenimi garancijami glede primernosti za prodajo in primernosti za določen namen. Podjetje FERM ni v nobenem primeru odgovorno za naključno ali posledično škodo. Ukrepi trgovca so omejeni na popravilo ali zamenjavo neskladnih ent ali delov.

**Izdelek in navodila za uporabo se lahko spreminjajo. Specifikacije se lahko spremenijo brez predhodnega obvestila.**











## DECLARATION OF CONFORMITY GTM1008 - GRASS TRIMMER

- (EN) We declare under our sole responsibility that this product is in conformity with directive 2011/65/EU of the European parliament and of the council of 8 June on the restriction of the use of certain hazardous substances in electrical and electronic equipment is in conformity and accordance with the following standards and regulations:
- (NL) Wij verklaren onder eigen verantwoordelijkheid dat dit product conform de richtlijn 2011/65/EU van het Europese Parlement en van de raad van 8 juni over de beperking van het gebruik van bepaalde gevaarlijke stoffen in elektrische en elektronische apparatuur is en conform de volgende normen en verordeningen is:
- (FR) Nous certifions sous notre propre responsabilité que ce produit est conforme à la directive 2011/65/UE du Parlement européen et du Conseil du 8 juin concernant la restriction d'utilisation de certaines substances dangereuses dans les équipements électriques et électroniques et qu'il est conforme aux normes et aux réglementations suivantes :
- (DE) Der Hersteller erklärt eigenverantwortlich, dass dieses Produkt der Richtlinie 2011/65/EU des Europäischen Parlaments und des Rats vom 8. Juni über die Einschränkung der Anwendung von bestimmten gefährlichen Stoffen in elektrischen und elektronischen Geräten entspricht und den folgenden Standards und Vorschriften entspricht:
- (PL) Oświadczamy na własną i wyłączną odpowiedzialność, że ten produkt jest zgodny z dyrektywą 2011/65/UE Parlamentu Europejskiego i Rady z dnia 8 czerwca w sprawie ograniczenia stosowania niektórych niebezpiecznych substancji w sprzęcie elektrycznym i elektronicznym oraz następującymi normami i przepisami:
- (CS) Prohlašujeme na svou výhradní odpovědnost, že tento výrobek splňuje požadavky směrnice 2011/65/EU Evropské rady a parlamentu ze dne 8. června, která se týká omezení používání určitých nebezpečných látek v elektrických a elektronických zařízeních, a splňuje také všechny požadavky následujících norem a předpisů:
- (IT) FERM dichiara, sotto la sua sola responsabilità, che questo prodotto è conforme alla Direttiva 2011/65/UE del Parlamento europeo e del Consiglio dell'8 giugno 2011, relativa alla limitazione d'uso di determinate sostanze pericolose e apparecchiature elettriche ed elettroniche, ed è conforme alle norme e ai regolamenti seguenti:
- (SK) Na vlastnú zodpovednosť vyhlasujeme, že tento produkt je v súlade so smernicou 2011/65/EU Európskeho parlamentu a Rady z 8. júna o obmedzení používania určitých nebezpečných látok v elektrických a elektronických zariadeniach a zároveň dosahuje súlad s nasledujúcimi štandardmi a nariadeniami:
- (ES) Declaramos bajo nuestra exclusiva responsabilidad que este producto es conforme a la Directiva 2011/65/UE del Parlamento Europeo y del Consejo, de 8 de junio, sobre restricciones a la utilización de determinadas sustancias peligrosas en aparatos eléctricos y electrónicos, y que es conforme y se ajusta a las siguientes normas y directivas:
- (PT) Declaramos, sob nossa exclusiva responsabilidade, que este produto está em conformidade com a diretiva 2011/65/UE do Parlamento Europeu e com a do conselho de 8 de Junho sobre a restrição da utilização de determinadas substâncias perigosas em equipamento eléctrico e electrónico está em conformidade e de acordo com as seguintes normas e regulamentações:
- (RO) Declarăm sub responsabilitatea exclusivă că acest produs este în conformitate cu Directiva 2011/65/UE a Parlamentului și a Consiliului European din 8 iunie privind restricționarea utilizării anumitor substanțe periculoase în echipamentele electrice și electronice și în conformitate cu următoarele standarde și reglementări:
- (BG) Ние декларираме на наша лична отговорност, че този продукт е в съответствие с Директива 2011/65/ЕС на Европейския парламент и на Съвета от 8 юни относно ограничаването на употребата на определени опасни вещества в електрическо и електронно оборудване, е в съответствие със следните стандарти и разпоредби:
- (EL) Δηλώνουμε με αποκλειστική μας ευθύνη ότι αυτό το προϊόν συμμορφώνεται με την οδηγία 2011/65/ΕΕ του Ευρωπαϊκού Κοινοβουλίου και του Συμβουλίου της 8ης Ιουνίου για τον περιορισμό της χρήσης ορισμένων επικίνδυνων ουσιών σε ηλεκτρικό και ηλεκτρονικό εξοπλισμό και σε συμμόρφωση και συμφωνία με τα εξής πρότυπα και κανονισμούς:
- (HR) Izjavljujemo na vlastitu odgovornost da je ovaj proizvod u skladu s direktivom 2011/65/EU Europskog parlamenta i Savjeta od 8. lipnja o ograničenju upotrebe nekih opasnih tvari u električnoj i elektroničkoj opremi i da je u skladu sa sljedećim normama i propisima:
- (SL) Na lastno odgovornost izjavljamo, da je ta izdelek v skladu z Direktivo 2011/65/EU Evropskega parlamenta in Sveta z dne 8. junija o omejevanju uporabe nekaterih nevarnih snovi v električni in elektronski opremi ter da je v skladu z naslednjimi standardi in predpisi:
- (DA) Vi erklærer under eget ansvar, at dette produkt er i overensstemmelse med Europa-Parlamentets og Rådets direktiv 2011/65/EU af 8. juni om begrænsning af brugen af visse farlige stoffer i elektrisk og elektronisk udstyr og overholder og er i overensstemmelse med følgende standarder og regler:

Measured sound power level: 88.3 dB(A)

Guaranteed sound power level: 93 dB(A)

Conformity assessment method to Annex VI Directive 2000/14/EC amended by 2005/88/EC.

The notified body involved: TÜV SÜD Industrie Service GmbH, Certification Body of the Notified Body 0036

**EN 60335-1, EN 50636-2-91, EN IEC 55014-1, EN IEC 55014-2,  
2006/42/EC, 2014/30/EU, 2000/14/EC ANNEX VI & 2005/88/EC,  
2012/19/EU, 2011/65/EU**

Zwolle, 01-04-2024

H.G.F Rosberg  
CEO FERM

FERM - Lingenstraat 6 - 8028 PM - Zwolle - The Netherlands

