

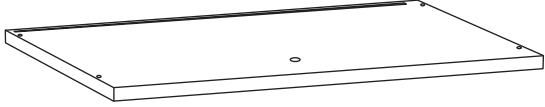

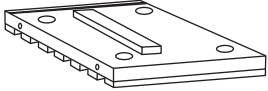
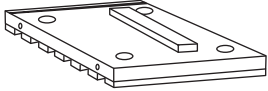
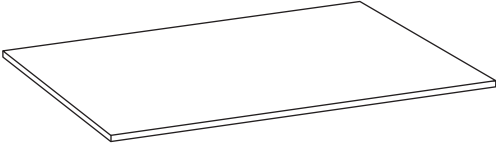
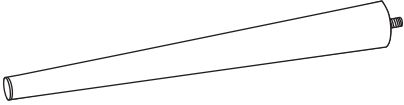
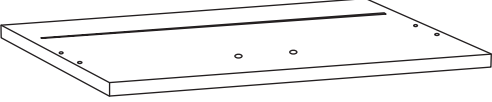




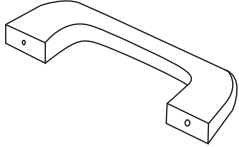




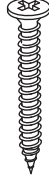
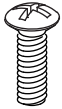
EN: ASSEMBLY INSTRUCTIONS

FR: PLAN DE MONTAGE

NL: MONTAGEHANDLEIDING

DE: INSTALLATIONSANLEITUNG



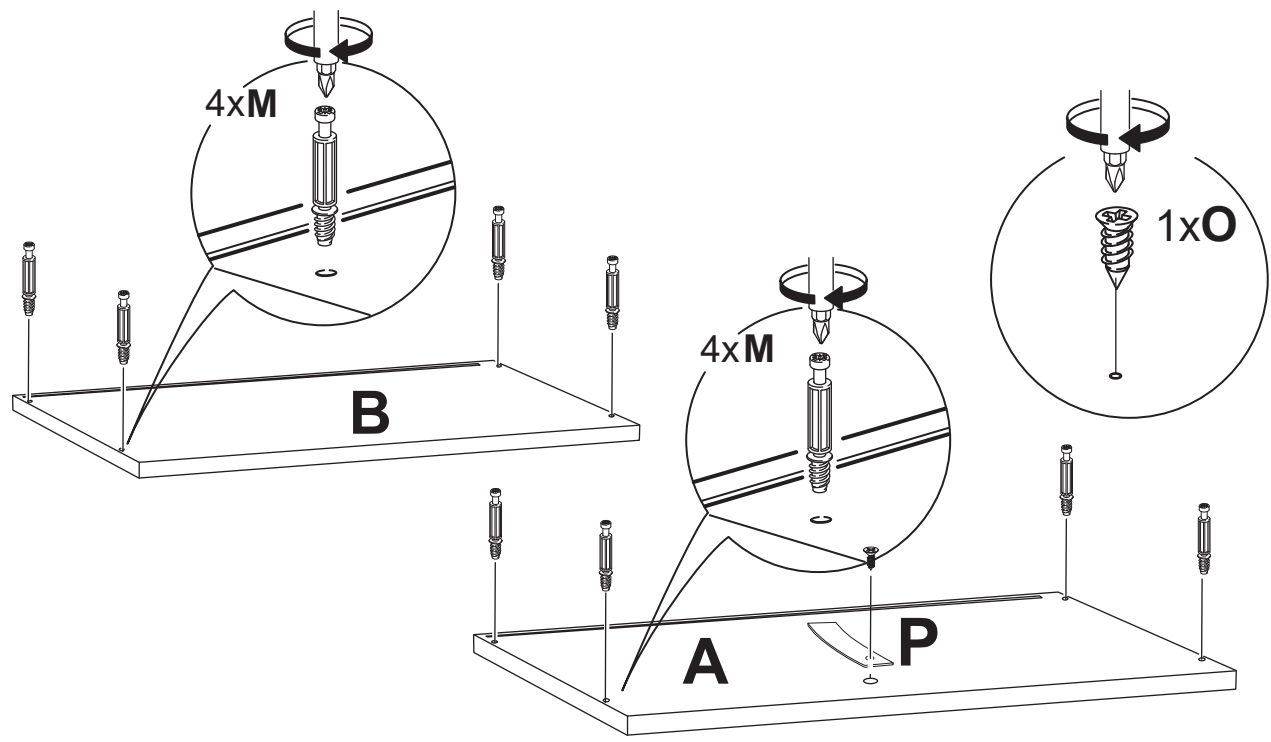
 <p>Ax1</p>			 <p>Bx1</p>		
 <p>Cx1</p>			 <p>Dx1</p>		
 <p>Ex1</p>			 <p>Fx4</p>		
 <p>Gx1</p>			 <p>Hx1</p>		
 <p>I x1</p>			 <p>J x1</p>		
 <p>Kx1</p>			 <p>Lx1</p>		
 <p>Mx12</p>	 <p>Nx12</p>	 <p>Ox1</p>	 <p>Px1</p>	 <p>Qx4</p>	 <p>Rx2</p>

1

Mx8

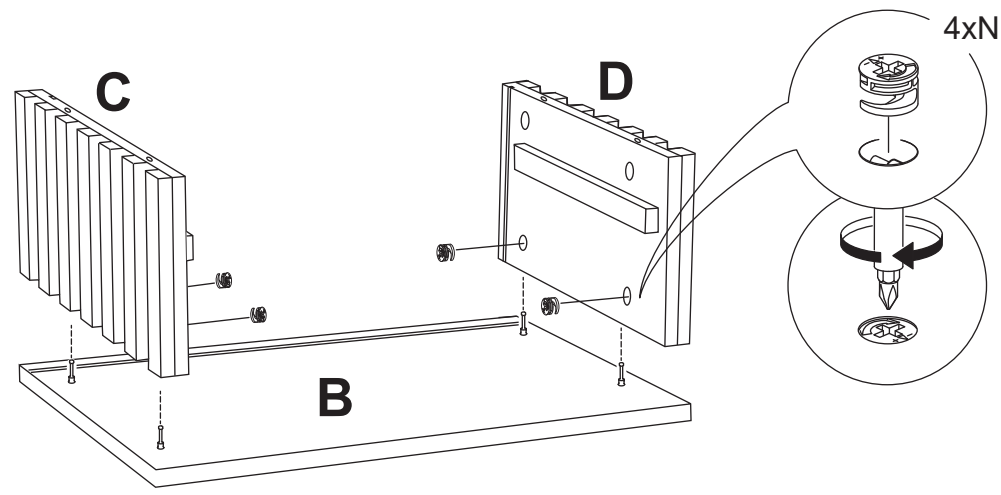
Ox1

Px1

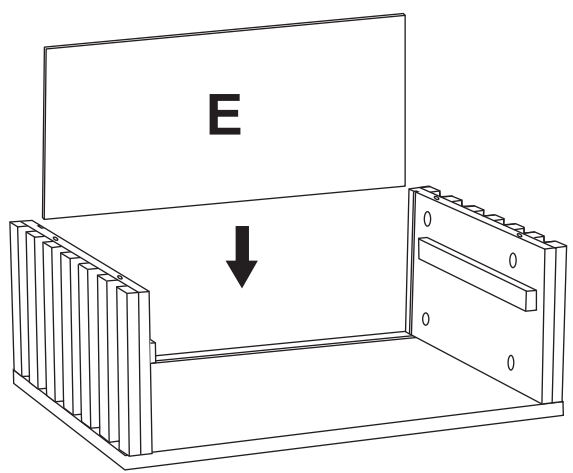


2

Nx4

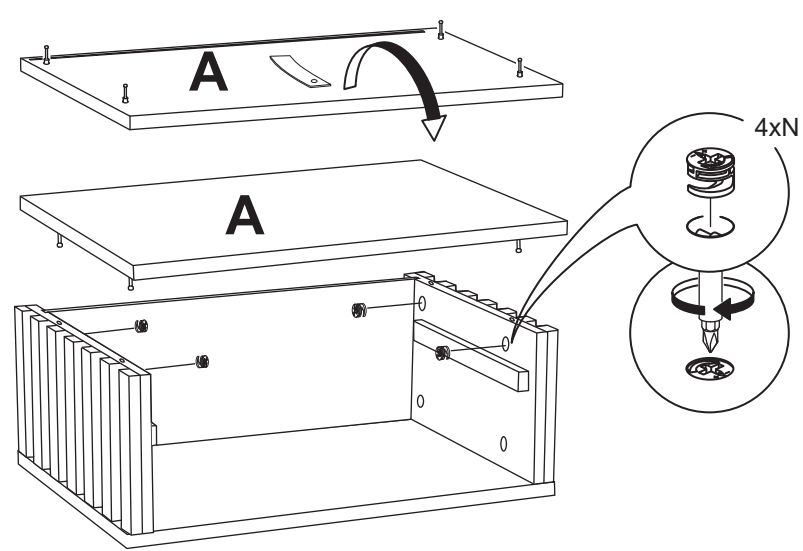


3



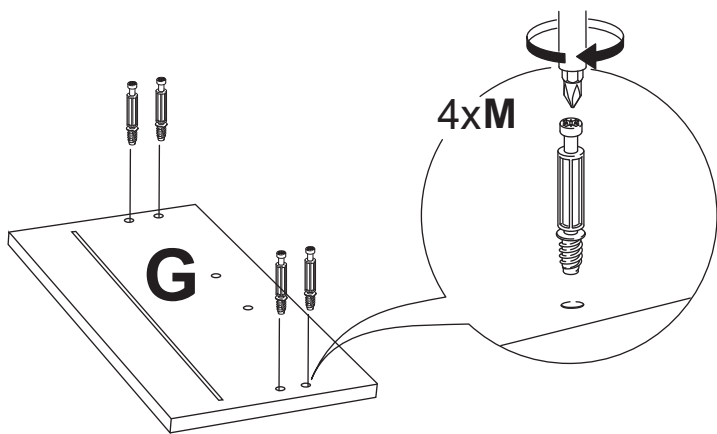
4

Nx4



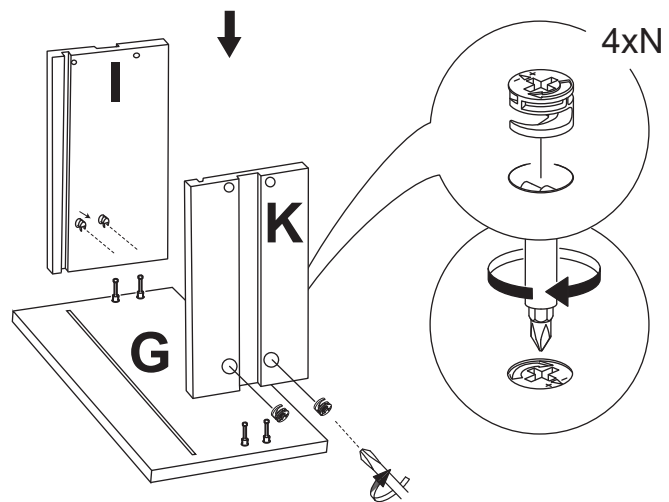
5

Mx4

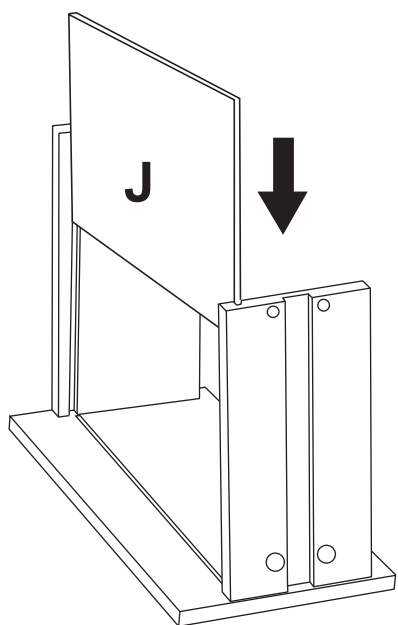


6

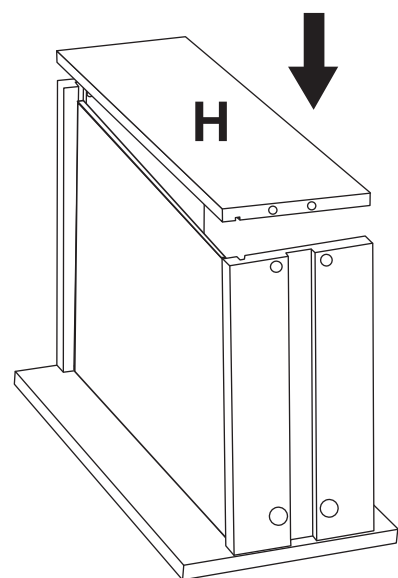
Nx4



7



8

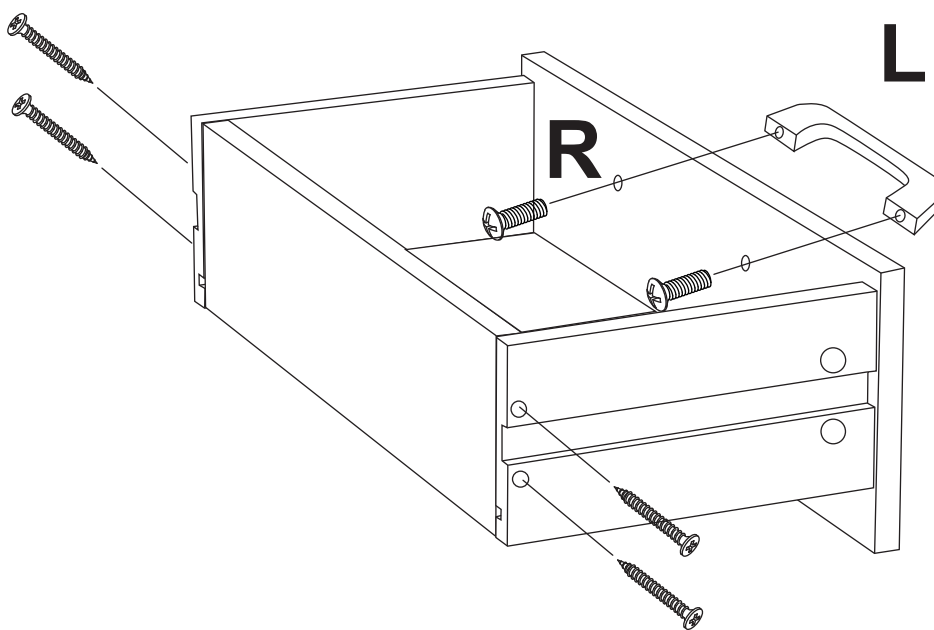


9

Lx1

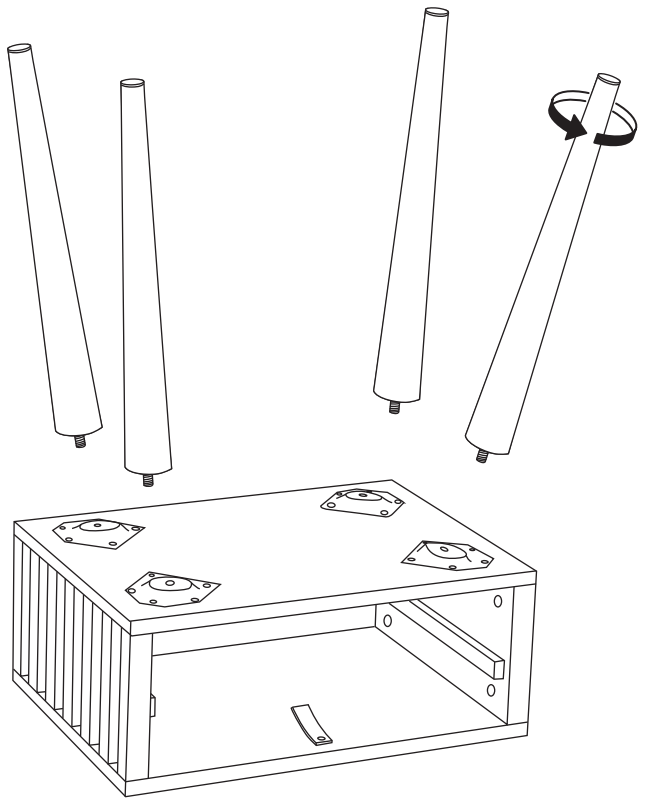
Qx4

Rx2

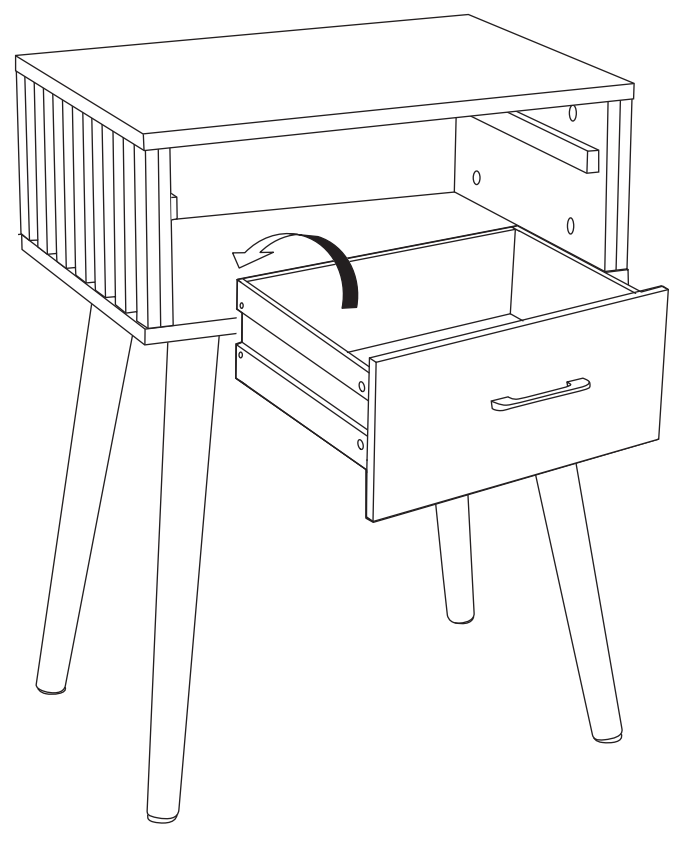


10

Fx4



11



12

